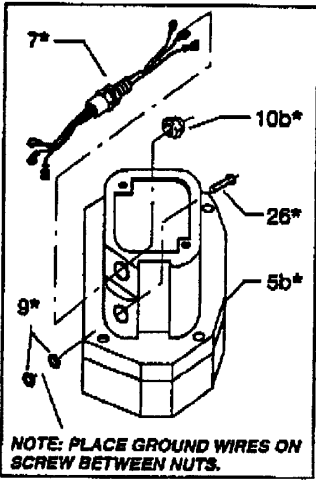
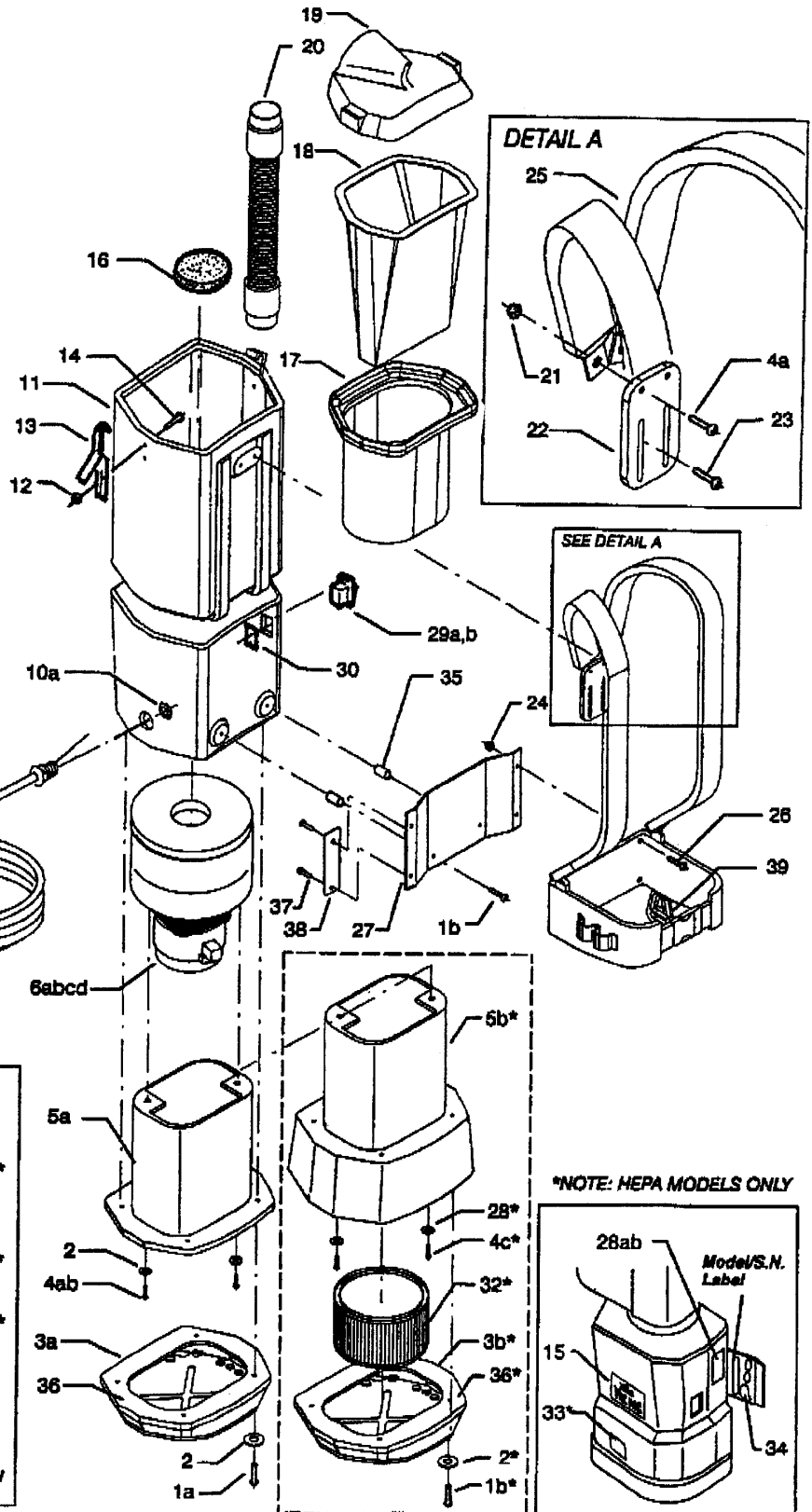


# WINDSOR

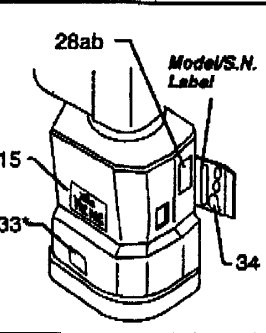
# Backpack Vacuum

Models: VAC PAC VP, VP-J, VPH, VPH-J

- 1A ..... WI-70021 ..... Screw
- 1B ..... WI-70092 ..... Screw
- 2 ..... WI-87018 ..... Washer
- 3A ..... WI-08049 ..... Base, VP's
- 3B ..... WI-08046 ..... Base, VPH's
- 4A ..... WI-70160 ..... Screw
- 4B ..... WI-70114 ..... Screw, VPJ
- 4C ..... WI-70088 ..... Screw, VPH's
- 5A ..... WI-71107 ..... Support, motor, VP's
- 5B ..... WI-71115 ..... Support, motor, VPH's
- 6A ..... WI-53738 ..... Vac Motor Assy, 115V
- 6B ..... WI-53575 ..... Vac Motor Assy, 100V
- 6C ..... WI-53576 ..... Vac Motor Assy, 115V, HEPA
- 6D ..... WI-53777 ..... Vac Motor Assy, 110V, HEPA
- 7 ..... WI-88657 ..... Wire Assy, 18/3, VPH 115V
- 8 ..... WI-23511 ..... Cord Assy, 18/3, 40', SJT
- 9 ..... WI-57104 ..... Nut
- 10A ..... WI-57208 ..... Nut, metal
- 10B ..... WI-57176 ..... Nut, nylon
- 11 ..... WI-75173 ..... Tank, main housing
- 12 ..... WI-57049 ..... Nut, locking
- 13 ..... WI-48062 ..... Latch & Keeper
- 14 ..... WI-70056 ..... Screw
- 15 ..... WI-50535 ..... Label, vac pac main
- 16 ..... WI-34203 ..... Filter, vac intake
- 17 ..... WI-14803 ..... Bag, cloth
- 18 ..... WI-14804 ..... Paper Bag
- 19 ..... WI-27622 ..... Cover, rotomold, VP's, VPH's
- 20 ..... WI-39405 ..... Hose
- 21 ..... WI-57030 ..... Nut
- 22 ..... WI-14854 ..... Bracket, shoulder straps
- 23 ..... WI-70162 ..... Screw
- 24 ..... WI-27050 ..... Cable Tie, 3 1/2"
- 25 ..... WI-14805 ..... Shoulder Strap, vac pac
- 26 ..... WI-70160 ..... Screw
- 27 ..... WI-62372 ..... Plate, harness
- 28A ..... WI-50571 ..... Label, warning, VP only
- 28B ..... WI-50650 ..... Label, warning, VPH only
- 29A ..... WI-72076 ..... Switch, DPST, rocker
- 29B ..... WI-72145 ..... Switch, DPST, VPH's
- 30 ..... WI-27376 ..... Clip, switch retaining
- 31 ..... WI-87104 ..... Washer
- 32 ..... WI-34223 ..... Filter, HEPA, w/ gasket, VPH
- 33 ..... WI-50639 ..... Label, HEPA, VPH
- 34 ..... WI-50656 ..... Label, C-UL listing, VP/VPH
- 35 ..... WI-73735 ..... Spacer
- 36 ..... WI-99843 ..... gasket
- 37 ..... WI-67005 ..... Rivet
- 38 ..... WI-62395 ..... Plate, data plate label
- 39 ..... WI-73169 ..... Strain Relief, cord hook

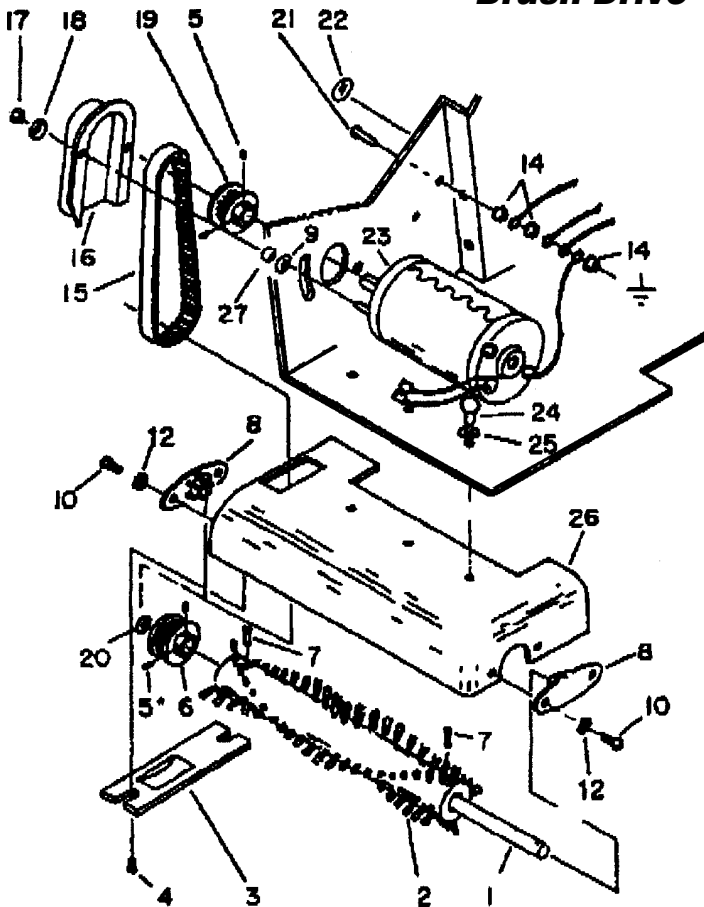


**\*NOTE: HEPA MODELS ONLY**



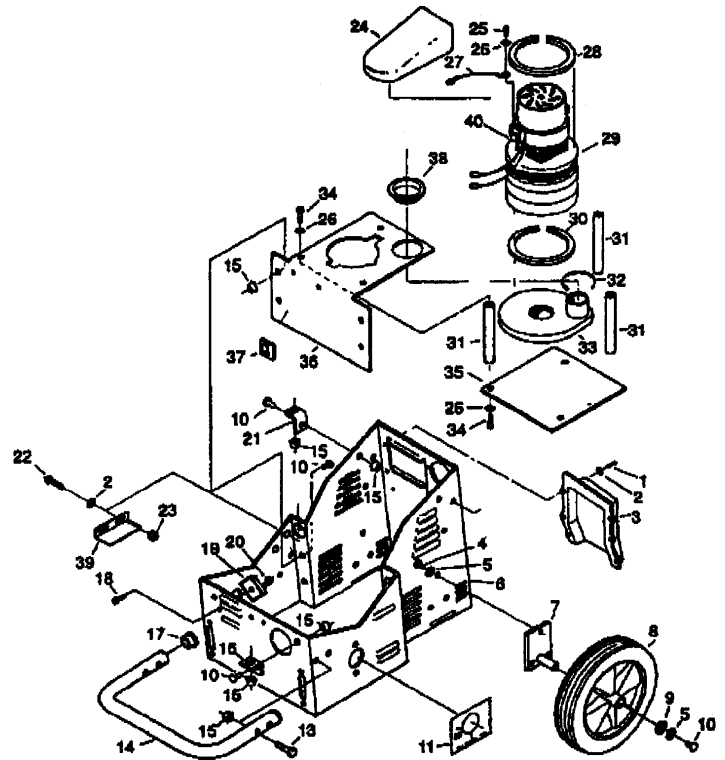
Models: SSS-MST, XR-4, PSP, PSP-ACO, PSP-CB, PSP-J, PSP-PQ

## Brush Drive



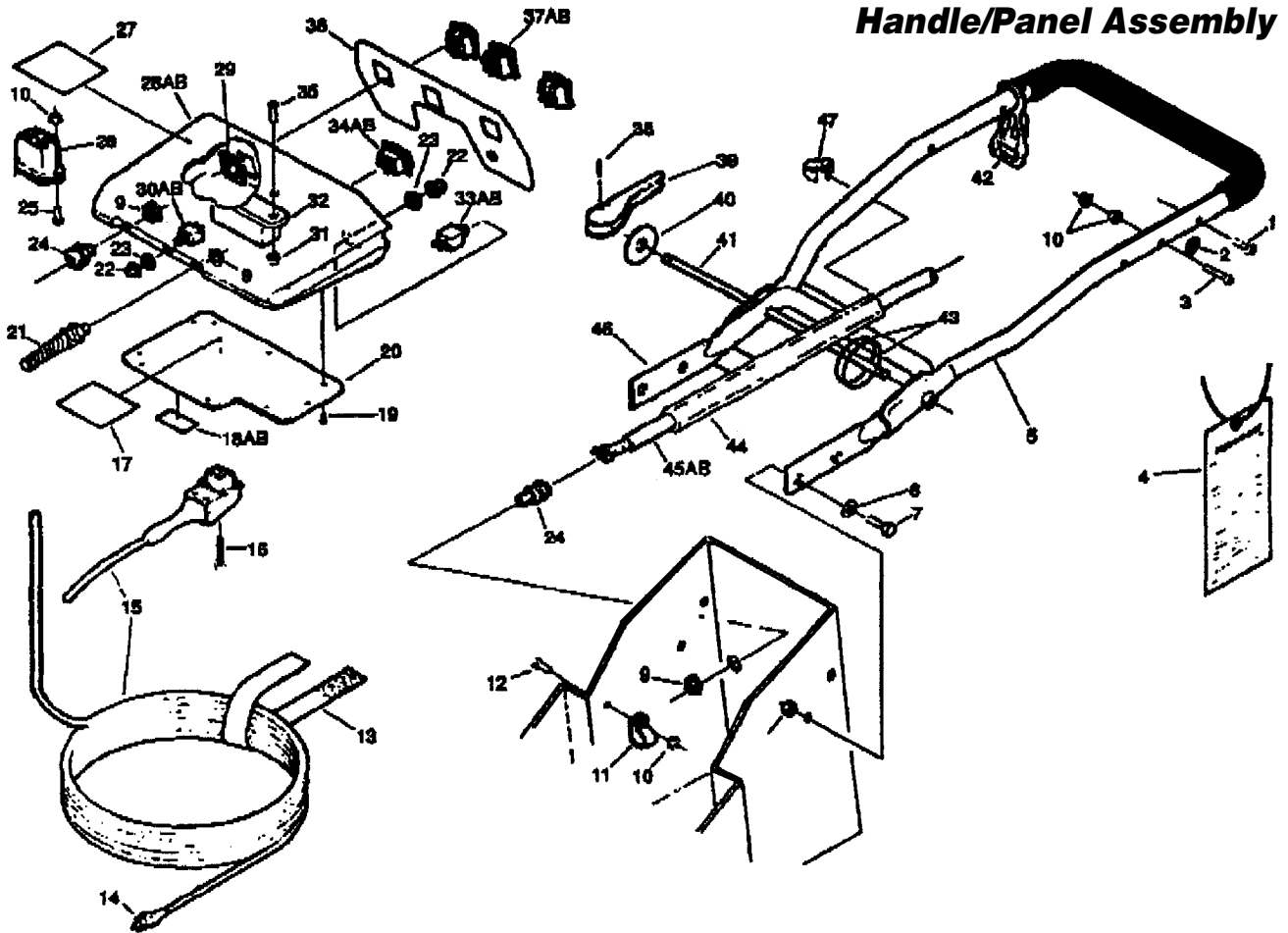
- 1 ..... WI-03069 ..... Axle, brush
- 2 ..... WI-12005 ..... Brush
- 3 ..... WI-27264 ..... Cover, brush pulley
- 4 ..... WI-70434 ..... Screw
- 5 ..... WI-70084 ..... Screw
- 6 ..... WI-64062 ..... Pulley, brush
- 7 ..... WI-70231 ..... Screw
- 8 ..... WI-09057 ..... Bearing, brush
- 9 ..... WI-87018 ..... Washer
- 10 ..... WI-70213 ..... Screw
- 11 ..... WI-70031 ..... Screw
- 12 ..... WI-87016 ..... Washer
- 13 ..... WI-70031 ..... Screw
- 14 ..... WI-57104 ..... Nut
- 15 ..... WI-11026 ..... Belt, brush drive
- 16 ..... WI-36129 ..... Guard, belt
- 17 ..... WI-57014 ..... Nut
- 18 ..... Washer, belt guard
- 19 ..... WI-64061 ..... Pulley, PSP brush motor
- 20 ..... WI-87030 ..... Washer
- 21 ..... WI-70066 ..... Screw
- 22 ..... WI-50279 ..... Label, ground symbol
- 23 ..... Motor Brush
- 24 ..... WI-70020 ..... Screw
- 25 ..... WI-67025 ..... Washer
- 26 ..... WI-41114 ..... Housing, brush
- 27 ..... WI-57030 ..... Nut

## Motor & Housing



- 1 ..... WI-70309 ..... Screw
- 2 ..... WI-87026 ..... Washer
- 3 ..... WI-29145 ..... Duct, vac cooling, external
- 4 ..... WI-700205 ..... Screw
- 5 ..... WI-87025 ..... Washer
- 6 ..... WI-34173 ..... Frame, PSP
- 7 ..... WI-03035 ..... Axle, wheel
- 8 ..... WI-89048 ..... Wheel, 8", non-marking
- 9 ..... WI-87008 ..... Washer
- 10 ..... WI-70020 ..... Screw
- 11 ..... WI-50302 ..... Label, valve position
- 13 ..... WI-70019 ..... Screw
- 14 ..... WI-38101 ..... Handle, PSP, front lift
- 15 ..... WI-57105 ..... Nut
- 16 ..... WI-14443 ..... Bracket, PSP tank front
- 17 ..... WI-66016 ..... Plug
- 18 ..... WI-70066 ..... Screw
- 19 ..... WI-67029 ..... Rectifier
- 20 ..... WI-57104 ..... Nut
- 21 ..... WI-14316 ..... Bracket, PSP tank, rear
- 22 ..... WI-70067 ..... Screw
- 23 ..... WI-57116 ..... Nut
- 24 ..... WI-29141 ..... Duct, vac cooling, internal
- 25 ..... WI-70191 ..... Screw
- 26 ..... WI-87016 ..... Washer
- 27 ..... WI-88184 ..... Wire
- 28 ..... WI-35080 ..... Gasket, vac, upper, 14"
- 29 ..... WI-53142 ..... Vac Motor, 115V
- 29 ..... WI-53184 ..... Vac Motor, 100V, PSP-J
- 30 ..... WI-35081 ..... Gasket, lower vac, 17"
- 31 ..... WI-73226 ..... Spacer, vac
- 32 ..... WI-27049 ..... Cable Tie, 7"
- 33 ..... WI-27260 ..... Cover, vac intake
- 34 ..... WI-70088 ..... Screw
- 35 ..... WI-62148 ..... Plate, vac, lower
- 36 ..... WI-62147 ..... Plate, vac, upper
- 37 ..... WI-20056 ..... Clip, wire, self-adhesive
- 38 ..... WI-14042 ..... Bushing, 1.63 snap
- 39 ..... WI-36110 ..... Guard, wire
- 40 ..... WI-53146 ..... brush, motor

## Handle/Panel Assembly



- |   |  |   |
|---|--|---|
| 1 ..... WI-70253 ..... Screw                    | 17B ..... WI-50453 ..... Label, wiring, 230V           | 33A ..... WI-14192 ..... Breaker, 1.2A circuit              |
| 2 ..... WI-50279 ..... Label, ground symbol     | 18A ..... WI-50178 ..... Label, protect from freezing  | 33B ..... WI-14308 ..... Breaker, 0.8A circuit              |
| 3 ..... WI-70092 ..... Screw                    | 18B ..... WI-50556 ..... label, prtct frm freez, japan | 34A ..... WI-72068 ..... Switch, 125V, SPST MOM rocker      |
| 4 ..... ..... Instruction Card                  | 19 ..... WI-70082 ..... Screw                          | 34B ..... WI-72070 ..... Switch, 250V, VDE MOM rocker       |
| 5 ..... WI-38102 ..... Handle, upper, main      | 20 ..... WI-62153 ..... Plate, access panel            | 35 ..... WI-70252 ..... Screw                               |
| 6 ..... WI-87013 ..... Washer                   | 21 ..... WI-73200 ..... Strain Relief                  | 36 ..... WI-50451 ..... Label, 115/230V switch              |
| 7 ..... WI-70011 ..... Screw                    | 22 ..... WI-14942 ..... Boot, circuit breaker          | 37A ..... WI-72067 ..... Switch, 125V, SPST on/off rocker   |
| 8 ..... WI-57047 ..... Nut                      | 23 ..... WI-57024 ..... Nut                            | 37B ..... WI-72069 ..... Switch, 250V, 16/4 VDE on/off rckr |
| 9 ..... WI-57040 ..... Nut                      | 24 ..... WI-73195 ..... Strain Relief                  | 38 ..... WI-66086 ..... Pin                                 |
| 10 ..... WI-57104 ..... Nut                     | 25 ..... WI-70211 ..... Screw                          | 39 ..... WI-51054 ..... Lever, handle lock                  |
| 11 ..... WI-20054 ..... Clamp                   | 26 ..... WI-26032 ..... Receptacle, 240V, VDE          | 40 ..... WI-87080 ..... Washer                              |
| 12 ..... WI-70088 ..... Screw                   | 27 ..... WI-50184 ..... Label, WINDSOR                 | 41 ..... WI-67097 ..... Rod, handle pivot                   |
| 13 ..... WI-73175 ..... Strap, 12", velcro      | 28A ..... WI-61215 ..... Panel, 115V control           | 42 ..... WI-73169 ..... Strain Relief, cord hook            |
| 14 ..... ..... Cord End Only                    | 28B ..... WI-61180 ..... Panel, 230V control           | 43 ..... WI-59001 ..... O-Ring                              |
| 15 ..... WI-23121 ..... Main Cord Assy          | 29 ..... WI-27376 ..... Clip, switch, retaining        | 44 ..... WI-36064 ..... Guard, cable                        |
| 15 ..... WI-23502 ..... Main Cord Assy, SSS-MST | 30A ..... WI-14700 ..... Breaker, 15A circuit          | 45 ..... WI-88395 ..... Wire Assy, control panel            |
| 15 ..... WI-23146 ..... Main Cord Assy, PSP-CB  | 30B ..... WI-14312 ..... Breaker, 7A circuit           | 45 ..... WI-88648 ..... Wire Assy, control panel, PSP-ACO   |
| 16 ..... WI-70199 ..... Screw                   | 31 ..... WI-57106 ..... Nut                            | 46 ..... WI-38103 ..... Handle, lower, main                 |
| 17A ..... WI-50532 ..... Label, wiring, 115V    | 32 ..... WI-14022 ..... Terminal Block, 115/230V       | 47 ..... WI-27371 ..... Clip, power cord                    |

**8 CONVENIENT LOCATIONS ACROSS THE COUNTRY MEAN FASTER DELIVERY AND LOWER SHIPPING COSTS!**

**Austell, Georgia / Columbus, Ohio / Elkridge, Maryland  
Grand Prairie, Texas / Niles, Illinois / Phoenix, Arizona  
Sparks, Nevada / Westfield, Massachusetts**

# WINDSOR

# Carpet Extractor

Models: SSS-MST, XR-4, PSP, PSP-ACO, PSP-CB, PSP-J, PSP-PQ

## PASSPORT

### Vac Shoe Assembly

- 3 ..... WI-85033 ..... Vac Shoe, w/o pointer
- 4 ..... WI-87029 ..... Washer
- 5 ..... WI-70296 ..... Shoulder Bolt
- 6 ..... WI-57022 ..... Nut
- 7 ..... WI-67131 ..... Rod, pivot
- 8 ..... WI-73480 ..... Spacer, vac lift
- 9 ..... WI-70294 ..... Shoulder Bolt
- 10 ..... WI-66031 ..... Pin
- 11 ..... WI-14506 ..... Block, height adjustment
- 12 ..... WI-70417 ..... Adjustment Screw
- 13 ..... WI-57022 ..... Nut
- 14 ..... WI-48025 ..... Height Adjustment Knob
- 16 ..... WI-14508 ..... Mounting Block, height adj
- 17 ..... WI-70162 ..... Screw
- 18 ..... WI-70292 ..... Shoulder Bolt
- 20 ..... WI-87025 ..... Washer
- 21 ..... WI-70020 ..... Screw
- 22 ..... WI-57104 ..... Nut
- 23 ..... WI-20063 ..... Clamp
- 24 ..... WI-39338 ..... Hose, 1 1/2" x 45", blue, vac
- 25 ..... WI-14042 ..... Bushing
- 26 ..... WI-70419 ..... Screw
- 27 ..... WI-34173 ..... Frame
- 28 ..... WI-14817 ..... Bracket, vac shoe adjustment
- 29 ..... WI-57047 ..... Nut

