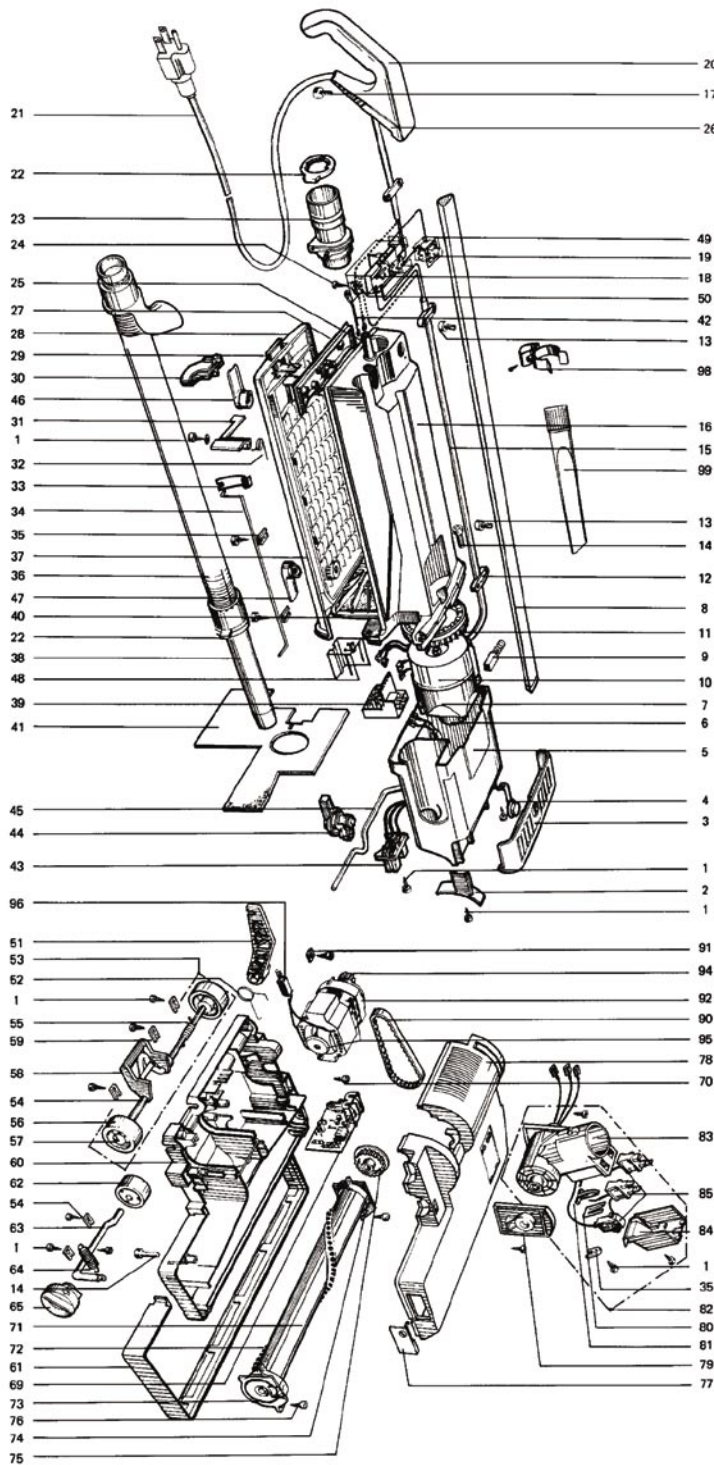


WINDSOR

UPRIGHTS

Models: Versamatic VSE1-3, VSE2-3



- 1 WI-0102 Screw
- 2 WI-1521 Housing Cover
- 3 WI-1534 Exhaust Filter
- 4 WI-1535ER Retaining Button, filter
- 5 WI-1515WI Motor Housing
- 6 WI-1411 Motor Support
- 7 WI-1442UL Motor Cover
- 8 WI-1542 Handle
- 9 WI-0511 Carbon Brush
- 10 WI-1419 Vacuum Motor
- 11 WI-1047 Seal, vacuum motor
- 12 WI-1030UL Cable Clamp

- 13 WI-0127 Screw
- 14 WI-0111 Screw
- 15 WI-1283 Internal Cable
- 16 WI-1514BL Housing, dust bag
- 17 WI-0170 Screw
- 18 WI-1477UL Printed Circuit Board
- 19 WI-0517 Switch
- 20 WI-1593WS Handle Grip
- 21 WI-23011 Cable, 3-wire
- 22 WI-1034 Retaining Ring
- 23 WI-1038BL Connecting Tube
- 24 WI-0101 Screw

- 25 WI-1420 Grommet
 - 26 WI-1596WS Handle Grip Cover
 - 27 WI-1026UL Cover, switch housing
 - 28 WI-1139BL Back Cover
 - 29 WI-1057BL Latch, w/ spring & pins
 - 30 WI-1069UL Switch Holder
 - 31 WI-1040 Lever, dust bag
 - 32 WI-1041 Return Spring
 - 33 WI-1027 Leaf Spring
 - 34 WI-1025 Connecting Rod
 - 35 WI-1073 Clamp
 - 36 WI-1516 Hose
 - 37 WI-1059 Seal, back cover
 - 38 WI-1517 Hand Nozzle
 - 39 WI-1265UL Terminal Block
 - 40 WI-1044 Filter, vacuum motor
 - 41 WI-1543 Sound Insulation
 - 42 WI-0818 Antistatic Wire
 - 43 WI-1545UL Holder, female contact, 3-wire
 - 44 WI-0819 Locking Catch
 - 45 WI-1530 Locking Rod
 - 46 WI-1461BL Cable Hook
 - 47 WI-1462BL Cable Hook, turnable
 - 48 WI-1524 Cover, terminal block
 - 49 WI-1280 Cover, switch
 - 50 WI-1281 Cover, PC board
 - 51 WI-2531 Support Lever
 - 52 WI-2545 Return Spring
 - 53 WI-2539 Axle Assy, VSE1-3
 - 53 WI-4519 Axle Assy, VSE2-3
 - 54 WI-2525 Axle, VSE1-3
 - 54 WI-4523 Axle, VSE2-3
 - 55 WI-2010 Axle Spring
 - 56 WI-2012 Wheel, VSE1-3
 - 56 WI-4009 Wheel, VSE2-3
 - 57 WI-00308 End Clip
 - 58 WI-2528 Foot Pedal
 - 59 WI-2014 Clamp
 - 60 WI-2543BL Chassis, VSE1-3
 - 60 WI-4529BL Chassis, VSE2-3
 - 61 WI-2522WS Bumper, VSE1-3
 - 61 WI-4522WS Bumper, VSE2-3
 - 62 WI-4072 Pile Adjust Wheel
 - 63 WI-2524 Axle, pile adjust., VSE1-3
 - 63 WI-4006 Axle, pile adjust., VSE2-3
 - 64 WI-4019 Spring
 - 65 WI-4013 Button, pile adjustment
 - 69 WI-2572ER PC Board, VSE1-3
 - 69 WI-4532ER PC Board, VSE2-3
 - 70 WI-0105 Screw
 - 71 WI-2030ER Brush Roll, no ends, VSE1-3
 - 71 WI-4033ER Brush Roll, no ends, VSE2-3
 - 72 WI-2046 Brush Strip, VSE1-3
 - 72 WI-4028 Brush Strip, VSE2-3
 - 73 WI-2047 Bearing Block, RH
 - 74 WI-2091 Bearing Block, LH
 - 75 WI-2458 Pulley, brush roll
 - 76 WI-0103 Screw
 - 77 WI-2542 Brush Strip Cover, w/screw
 - 78 WI-2544WI Cover, VSE1-3
 - 78 WI-4530BLU Cover, VSE2-3
 - 79 WI-2538 Swivel Support
 - 80 WI-2546 Leaf Spring
 - 81 WI-2534 Switch Lever
 - 82 WI-2510UL Swivel Neck Assy, 3-wire
 - 83 WI-2529UL Swivel Neck
 - 84 WI-2530 Cover, swivel neck
 - 85 WI-2541UL Wire-on Swivel Neck, w/cpl.
 - 90 WI-4024 Drive Belt
 - 91 WI-0141 Locking Washer
 - 92 WI-2241UE Brush Motor, 150w, VSE1-3
 - 92 WI-4022UE Brush Motor, 200w, VSE2-3
 - 94 WI-2025 Motor Pulley
 - 95 WI-0227 Ball Bearing, motor
 - 96 WI-0512 Carbon Brush
 - 98 WI-1081 Clip
 - 99 WI-1092 Crevice Tool
 - WI-2003CS Paper Bags, 10 pk
 - WI-1079 Cloth Bag Assembly
- REPLACEMENT PARTS "MADE TO FIT"
- 399 Paper Bags, 10 pack
 - WI-130 Belt, sold each

PHONE: 1-800-822-7467 FAX: 847-647-0534 E-MAIL: sales@hescoinc.com WEB: www.hescoinc.com