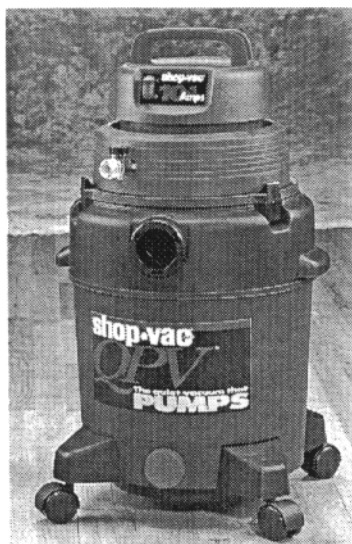
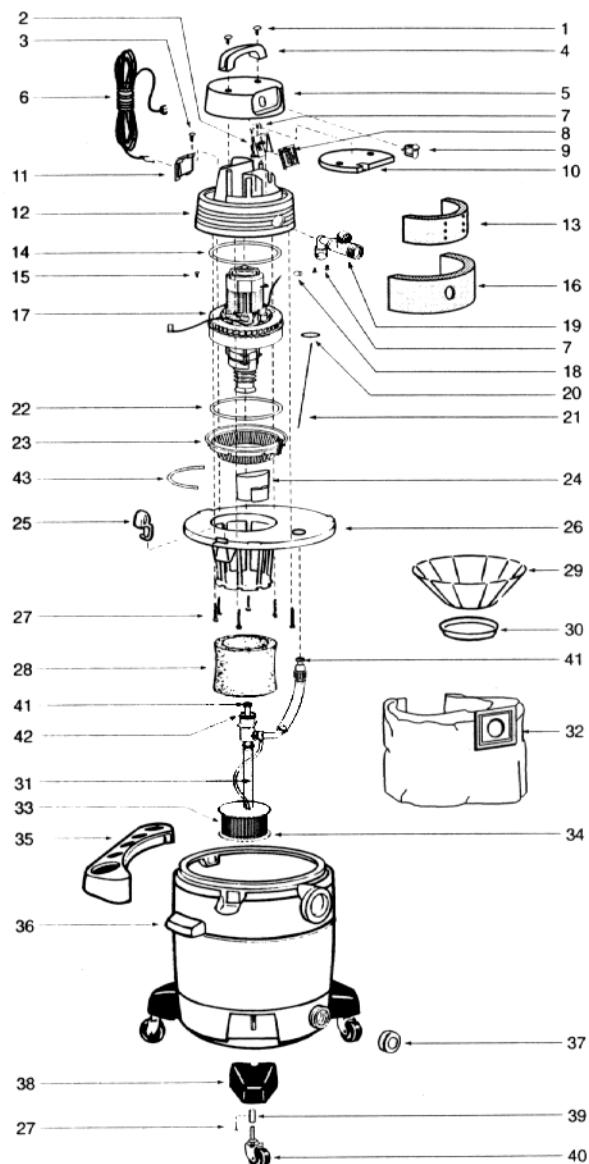


# SHOP VAC DOMESTIC

Model: QPV10.5 A/B



- 1 ..... SV-15146996 ..... Screw
- 2 ..... SV-2770296 ..... Switch Assembly
- 2 ..... SV-2770396 ..... Switch Assembly, 12/14/16 gallon
- 3 ..... SV-1500799 ..... Screw
- 4 ..... NLA ..... Handle
- 5 ..... NLA ..... Motor Housing Cover
- 6 ..... SV-2580030 ..... Cord, 12/14/16 gallon
- 7 ..... SV-1500599 ..... Screw
- 8 ..... SV-2720100 ..... Link
- 9 ..... SV-2774096 ..... Switch Cover & Actuator Assy
- 10 ..... SV-2412500 ..... Foam Insert Cover
- 11 ..... SV-2411115 ..... Cord Retainer
- 12 ..... NLA ..... Motor Housing, 18/20 gallon
- 12 ..... NLA ..... Motor Housing, 10/12/14/16 gallon
- 13 ..... SV-12904 ..... Foam, inner, motor housing,
- 14 ..... SV-20700001 ..... Gasket, upper, motor
- 15 ..... SV-17008996 ..... Ground Screw
- 16 ..... SV-2724100 ..... Foam, outer, motor housing
- 17 ..... SV-1816797 ..... Motor, 18 gallon
- 18 ..... SV-05001995 ..... Wire Nut
- 19 ..... SV-2770096 ..... Shut-off Assembly
- 20 ..... SV-7402999 ..... O-Ring
- 21 ..... SV-2723200 ..... Float Rod
- 22 ..... SV-20716 ..... Gasket, lower, motor
- 23 ..... SV-2722800 ..... Grid Plate
- 24 ..... SV-2720500 ..... Float
- 25 ..... SV-8550101 ..... Lid Latch
- 26 ..... SV-2725014 ..... Lid cage & Latch Assembly, 10/12/18 gallon
- 26 ..... SV-2725014 ..... Lid Cage & Latch Assembly, 14/16/20 gallon
- 27 ..... SV-15039993 ..... Screw
- 28 ..... SV-90585 ..... Foam Sleeve
- 29 ..... SV-90107 ..... Paper Filter, 3 Pack
- 30 ..... SV-30065007 ..... Filter Ring
- 31 ..... SV-2773096 ..... Pump Adapter Kit, 10 gallon
- 31 ..... SV-2773096 ..... Pump Adapter Kit, 18 gallon
- 31 ..... SV-2773096 ..... Pump Adapter Kit, 12/16 gallon
- 31 ..... SV-27731967 ..... Pump Adapter Kit, 14 gallon
- 31 ..... SV-2773196 ..... Pump Adapter Kit
- 31 ..... SV-2773196 ..... Pump Adapter Kit, 20 gallon
- 31 ..... SV-2773196 ..... Pump Adapter Kit
- 32 ..... SV-90662628 ..... Collection Bag, 3 Pack
- 32 ..... SV-90662628 ..... Collection Bag, 3 Pack
- 33 ..... SV-2723700 ..... Screen
- 34 ..... SV-2722500 ..... Cage Bottom



- 35 ..... SV-8411100 ..... Accessory /Tool Holder, 10/18 gallon
- 35 ..... SV-8564200 ..... Accessory /Tool Holder, 12 gallon
- 35 ..... SV-8564202 ..... Accessory /Tool Holder, 20 gallon
- 35 ..... SV-8411300 ..... Accessory/ Tool Holder, 16 gallon
- 35 ..... SV-8564200 ..... Accessory /Tool Holder, 14 gallon
- 36 ..... SV-1046797 ..... Tank Assembly, 10/18 gallon
- 36 ..... SV-1046897 ..... Tank Assembly, 12 gallon
- 36 ..... SV-1047097 ..... Tank Assembly, 14 gallon
- 36 ..... SV-1046997 ..... Tank Assembly, 16 gallon
- 36 ..... SV-1048497 ..... Tank Assembly, 20 gallon
- 37 ..... SV-1062021 ..... Drain Cap
- 38 ..... SV-8565000 ..... Caster Foot, 18 gallon
- 38 ..... SV-8565101 ..... Caster Foot
- 38 ..... SV-8565100 ..... Caster Foot, 20 gallon
- 39 ..... SV-85655009 ..... Caster Retainer
- 40 ..... SV-6774200 ..... Caster, 4 pack
- 41 ..... SV-7404199 ..... O-Ring
- 42 ..... SV-7404099 ..... O-Ring
- 43 ..... SV-20711008 ..... Strip gasket

PHONE: 1-800-822-7467 FAX: 847-647-0534 E-MAIL: sales@hescoinc.com WEB: www.hescoinc.com