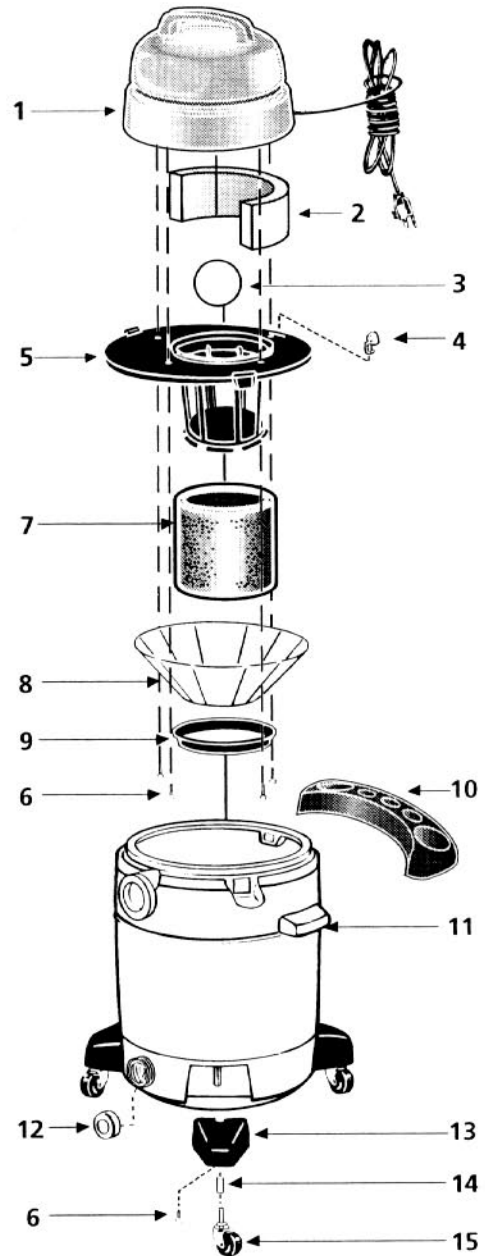
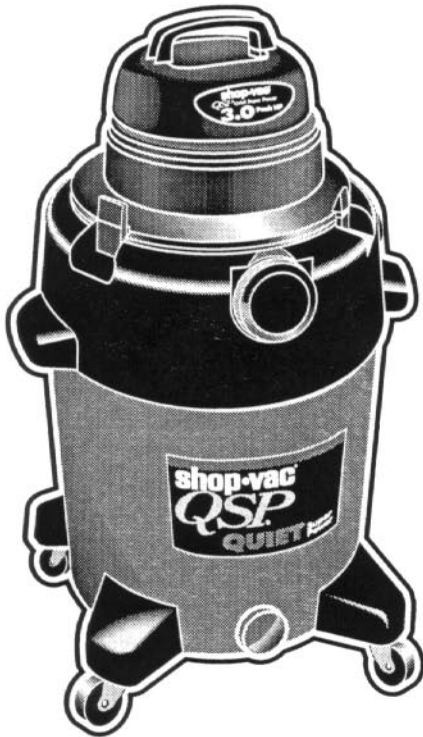


SHOP VAC DOMESTIC

Model: QPS20, QPS20 Bulldog, QPS30



- 1..... SV-8110797..... Power Unit Assy, QPS20
- 1..... SV-8110197..... Power Unit Assy, QPS30
- 2..... SV-1290506..... Foam Insert
- 3..... SV-00811..... Ball Float
- 4..... SV-8550101..... Lid Latch
- 5..... SV-8914074..... Lid Cage & Latch Assy, 6 gallon
- 5..... SV-8967051..... Lid Cage & Latch Assy, 8/10/12 gallon
- 6..... SV-15039993..... Screw
- 7..... SV-90585..... Foam Sleeve
- 8..... SV-90107..... Paper Filter, 3pk
- 9..... SV-30065007..... Filter Ring
- 10..... SV-8411000..... Accessory/Tool Holder, 6 gallon
- 10..... SV-8411100..... Accessory/Tool Holder, 8/10 gallon
- 10..... SV-8411200..... Accessory/Tool Holder, 12 gallon
- 11..... SV-8483197..... Tank Assembly, 6 gallon QPS20
- 11..... SV-8483397..... Tank Assembly, 6 gallon QPS30
- 11..... SV-8493197..... Tank Assembly, 8 gallon
- 11..... SV-1049397..... Tank Assembly, 8 gallon Bulldog
- 11..... SV-8493297..... Tank Assembly, 10 gallon
- 11..... SV-8493397..... Tank Assembly, 12 gallon
- 12..... SV-1062021..... Drain Cap, 12 gallon
- 13..... SV-8581500..... Caster Foot, 6 gallon
- 13..... SV-8565000..... Caster Foot, 8/10/12 gallon
- 14..... SV-85655009..... Caster Retainer, 8/10/12 gallon
- 15..... NLA..... Caster, 6 gallon
- 15..... SV-67712000..... Caster, 8/10/12 gallon

STANDARD ATTACHMENTS

- 1^{1/4}" Hose with extension nozzle
- 1^{1/4}" extension wand
- 10" wet/dry nozzle
- 10" squeegee insert

PHONE: 1-800-822-7467

FAX: 847-647-0534

E-MAIL: sales@hescoinc.com

WEB: www.hescoinc.com