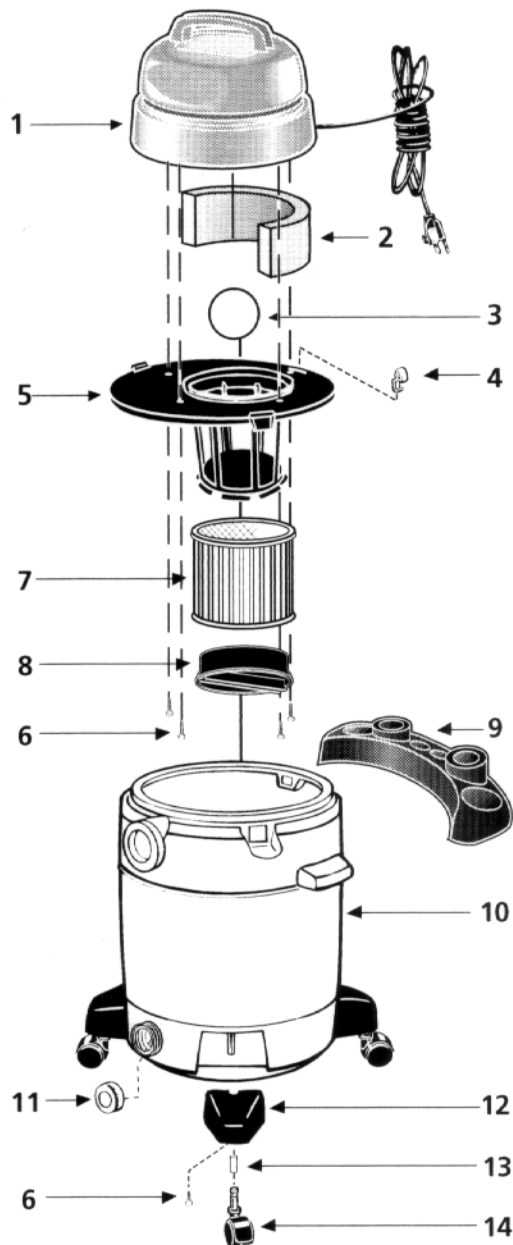


SHOP VAC DOMESTIC

Model: QPM45



- 1 SV-8110197 Power Unit Assy, 8/10/12 gallon
- 1 SV-8110897 Power Unit Assy, 16 gallon
- 2 SV-1290508 Foam Insert
- 3 SV-00811 Ball Float
- 4 SV-8550101 Lid Latch
- 5 SV-8967051 Lid Cage & Latch Assy, 8/10/12 gallon
- 5 SV-8988724 Lid Cage & Latch Assy, 16 gallon
- 6 SV-15039993 Screw
- 7 SV-90304 Cartridge Filter
- 8 SV-3008000 Filter Retainer
- 9 SV-8411100 Accessory /Tool Holder, 8/10 gallon
- 9 SV-8411200 Accessory /Tool Holder, 12 gallon
- 9 SV-8411300 Accessory /Tool Holder, 16 gallon
- SV-8564100 Deluxe On-Board Tool Storage Basket, 12 gallon
- 10 SV-8493197 Tank Assembly, 8 gallon
- 10 SV-8493297 Tank Assembly, 10 gallon
- 10 SV-8493397 Tank Assembly, 12 gallon
- 10 SV-8493497 Tank Assembly, 16 gallon
- 11 SV-1062021 Drain Cap, 12 gallon
- 12 SV-8565000 Caster Foot, 8/10/12 gallon
- 12 SV-8565101 Caster Foot, 16 gallon
- 13 SV-8565500 Caster Retainer, 8/10/1/16 gallon
- 14 SV-6774200 Caster, 8/10/12/16 gallon

STANDARD ATTACHMENTS

- 1^{1/4}" Hose with extension nozzle
- 1^{1/4}" extension wands (2)
- 10" wet/dry nozzle
- 10" squeegee insert