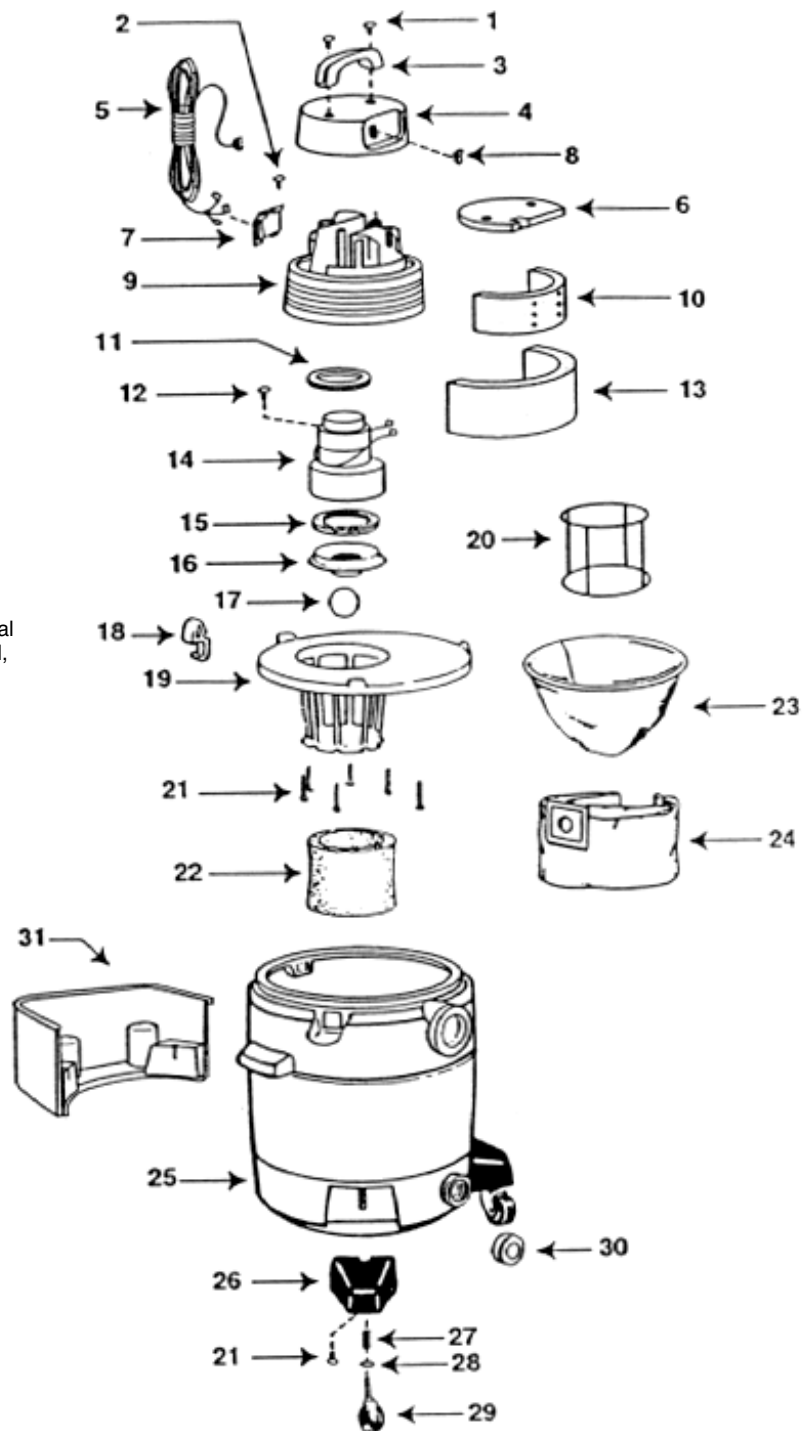


SHOP VAC INDUSTRIAL

Model: QL20ATS, QLATSP

Catalog #: 925-25-10, 925-50-10, 925-51-10,

- 1 SV-15146996 Screw, truss head
- 2 SV-1500799 Screw, pan head
- 3 SV-2410500 Handle
- 4 SV-2410607 Motor Housing Cover
- 4 NLA Motor Housing Cover, QL20ATSP
- SV-99344509 Receptacle, QL20ATSP
- 5 SV-2580027 Power Cord
- 6 SV-2412500 Foam Insert Cover
- 7 SV-2411107 Cord Retainer
- 8 SV-82319005 Switch
- 9 NLA Motor Housing
- 10 SV-12904 Acoustical Foam, inner housing
- 11 SV-20700001 Upper Motor Gasket
- 12 SV-17008996 Ground Screw
- 13 SV-1290503 Acoustical Foam, outer housing
- 14 SV-1940045 Motor
- 15 SV-20716 Lower Motor Gasket
- 16 SV-88607 Grid Plate
- 17 SV-00811 Ball Float
- 18 SV-8550101 Latch
- 19 SV-8967021 Lid Cage Assy
- 20 SV-30037006 Full Filter Frame
- 21 SV-15039993 Screw
- 22 SV-90585 Foam Sleeve
- SV-90115627 Cloth Filter Bag, super performance, QL20ATSP
- 23 SV-90637 Full Polyester Filter
- 24 SV-91906 High Quality Collection Filter Bag, 10 gal
- 24 SV-91904 High Quality Collection Filter Bag, 6 gal, micro filtration
- 25 SV-10474971 Tank Assy, 10 gallon
- 25 SV-1045997 Tank Assy, 6 gallon
- 25 SV-8499397 Tank Assy, 6 gallon, QL20ATSP
- 26 SV-8565100 Caster Foot (leg)
- 27 SV-85656 Retainer
- 28 SV-07043995 Flatwasher
- 29 SV-6773800 Caster
- 29 SV-67720003 Caster, QL20ATSP
- 30 SV-10620201 Drain Cap
- 31 SV-856400 Accessory Caddy
- SV-21750013 Inlet Fitting

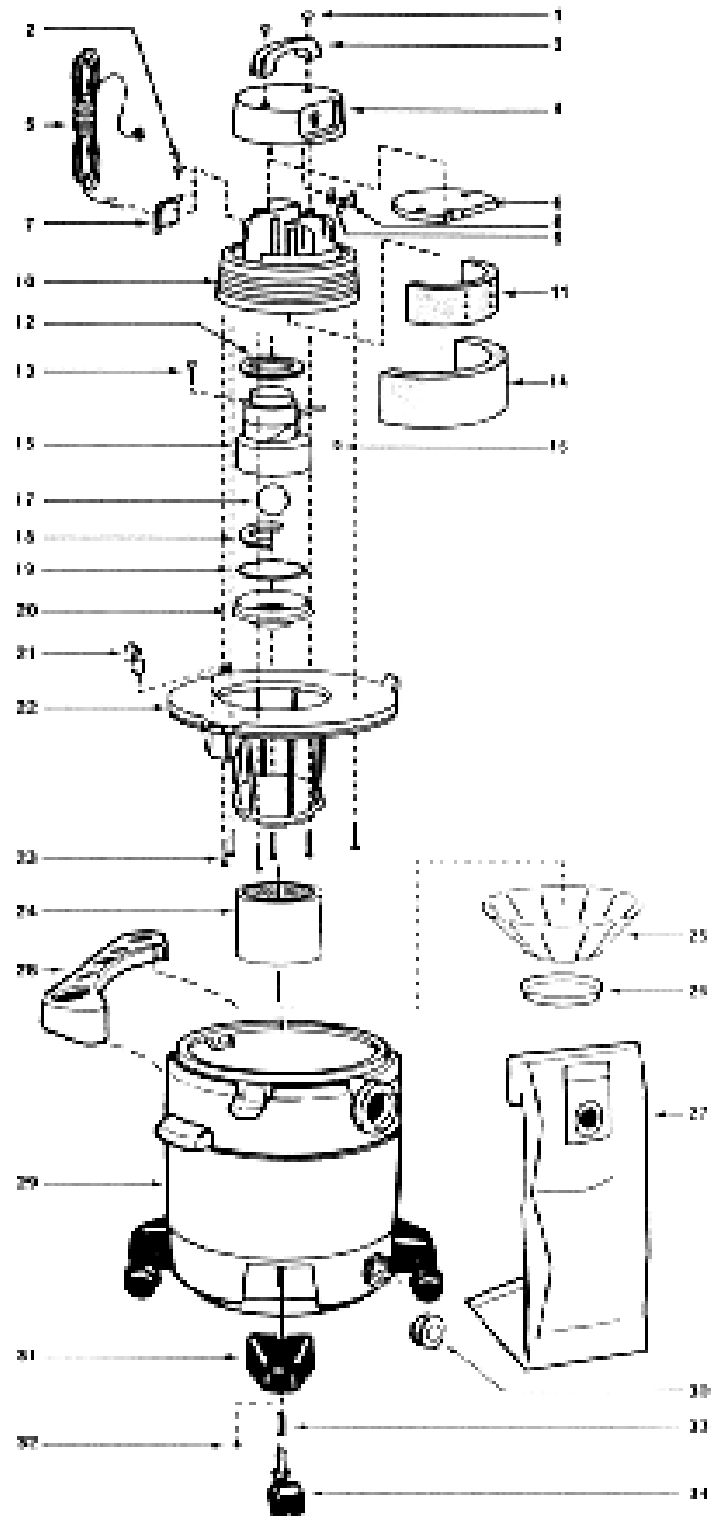


SHOP VAC INDUSTRIAL

Model: QL20TS

Catalog #: 925-78-95-4

- 1 SV-15146996 Screw, truss head
- 2 SV-1500799 Screw, pan head
- 3 NLA Handle
- 4 SV-24106494 Motor Housing Cover
- 5 SV-25800137 Power Cord
- 6 SV-2412500 Foam Insert Cover
- 7 SV-24111072 Cord Retainer
- 8 SV-2411000 Switch Box
- 9 SV-12100269 Switch
- 10 SV-2410706 Motor Housing
- 11 SV-12904 Acoustical Foam, inner motor housing
- 12 SV-2072000 Upper Motor Gasket
- 13 SV-17008996 Ground Screw
- 14 SV-1290503 Foam, outer, motor housing
- 15 SV-1730097 Motor
- 16 SV-05001995 Wire Nut
- 17 SV-00811 Ball Float
- 18 SV-20711008 Strip Gasket
- 19 SV-20716 Lower Motor Gasket
- 20 SV-88607 Grid Plate
- 21 SV-8550101 Latch
- 22 SV-NLA Lid Cage & Latch Assy
- 23 SV-15039 Screw, hex head
- 24 SV-90585 Foam Filter Sleeve
- 25 SV-90107 Paper Filter, 3 pack
- 26 SV-30065007 Filter Ring
- 27 SV-90663006 Collection Bag, 3 pk
- 28 SV-8411300 Accessory / Tool Holder
- 29 SV-84976976 Tank Assy
- 30 SV-1062021 Drain Cap
- 31 SV-8565101 Caster Foot
- 32 SV-15039993 Screw, hex head
- 33 SV-85655009 Caster Retainer
- 34 SV-67726 Casters, 4pk



SHOP VAC INDUSTRIAL

Model: QL20TS, QL20ATS

Catalog #: 925-56-10

- 1 SV-15146996 Screw, truss head
- 2 SV-1500799 Screw, pan head
- 3 NLA Handle
- 4 NLA Motor Housing Cover
- 5 SV-2580009 Power Cord
- 6 SV-2412500 Foam Insert Cover
- 7 SV-2411107 Cord Retainer
- 8 NLA Switch Box
- 9 NLA Switch
- 10 NLA Motor Housing
- 11 SV-12904 Acoustical Foam, inner motor housing
- 12 SV-20700001 Upper Motor Gasket
- 13 SV-17008996 Ground Screw
- 14 SV-1290503 Foam, outer, motor housing
- 15 SV-1730097 Motor
- 16 SV-05001995 Wire Nut
- 17 SV-20716 Lower Motor Gasket
- 18 SV-88607 Grid Plate
- 19 SV-00811 Ball Float
- 20 SV-20711008 Strip Gasket
- 21 SV-89655005 Lid Cage Assy
- 22 SV-15039993 Screw, hex head
- 23 SV-90585 Foam Filter Sleeve
- 24 SV-90637000 Full Polyester Filter
- 25 SV-30037006 Full Filter Frame
- 26 SV-91905 High Efficiency Collection Bag
- 27 SV-10460970 Tank Assembly
- 28 SV-01400 Metal Tank Clamp
- 29 SV-1046057 Rivet
- 30 SV-93551000 Handle, closed back, plastic
- 31 SV-21720016 Inlet Fitting
- 32 SV-1505499 Screw, hex

SQUARE DOLLY

- SV-2133001 Dolly Frame
- SV-2132800 Clevice Pin
- SV-2132900 4" Plastic Wheel
- SV-2133200 Axle
- SV-67720003 Caster, 2"

