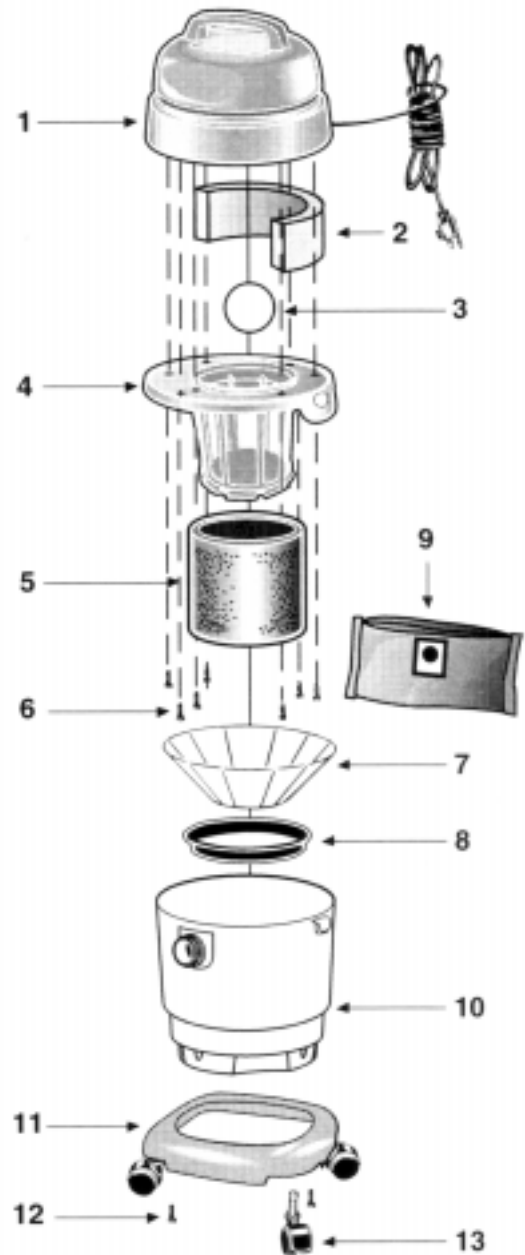


# SHOP VAC DOMESTIC

Model: QAL80



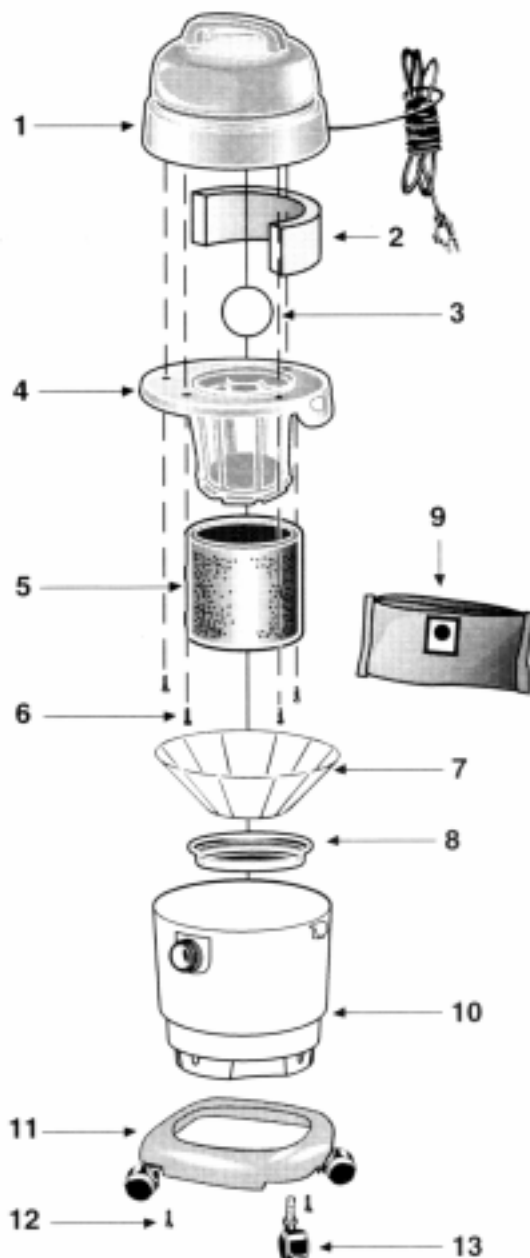
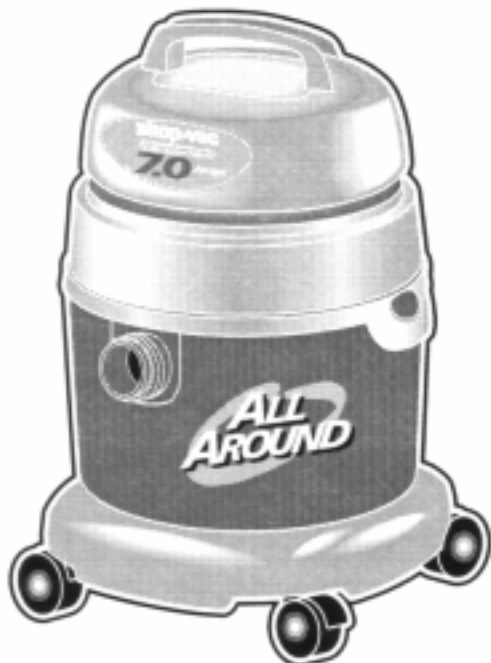
- 1 ..... SV-8110497 ..... Power Unit Assembly
- 1 ..... SV-8112097 ..... Power Unit Assembly, Floor Master
- 2 ..... SV-1290508 ..... Foam Insert
- 3 ..... SV-00811 ..... Ball Float
- 4 ..... SV-3181600 ..... Lid Cage
- 4 ..... SV-3182200 ..... Lid Cage, Floor Master
- 5 ..... SV-90585 ..... Foam Sleeve
- 5 ..... SV-9059900 ..... Foam Sleeve, Floor Master
- 6 ..... SV-15039993 ..... Screw
- 7 ..... SV-90107 ..... Paper Filter, 3pk
- SV-9039900 ..... Cartridge Filter, Floor Master
- SV-3183000 ..... Filter Retainer, Floor Master
- 8 ..... SV-30065007 ..... Filter Ring
- 9 ..... SV-9066900 ..... Collection Filter Bag
- 10 ..... SV-3151497 ..... Tank Assy
- 10 ..... SV-3152097 ..... Tank Assy, Floor Master
- 11 ..... SV-3153600 ..... Dolly
- 12 ..... SV-1501599 ..... Screw
- 13 ..... SV-6774220 ..... Caster

## STANDARD ATTACHMENTS

- 1<sup>1/4</sup>" Hose, with Extension Nozzle, 6 ft
- 1<sup>1/4</sup>" Extension Wands (2)
- 12" Wet/Dry Nozzle
- 12" Squeegee Insert
- 12" Brush Insert
- Round Brush
- Crevice Tool
- Gulper Nozzle
- Multi-Surface Nozzle

# SHOP VAC DOMESTIC

Model: QAM70



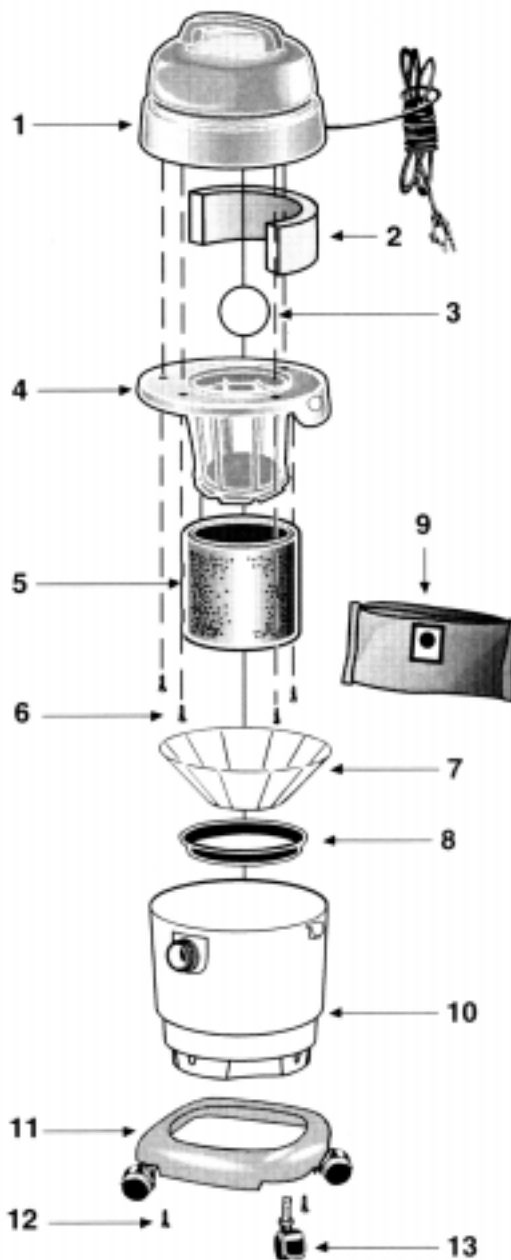
- 1 ..... SV-8110397 ..... Power Unit Assembly
- 1 ..... SV-8111997 ..... Power Unit Assembly, Floor Master
- 2 ..... SV-1290507 ..... Foam Insert
- 3 ..... SV-00811 ..... Ball Float
- 4 ..... SV-3182000 ..... Lid Cage
- 4 ..... SV-3182000 ..... Lid Cage, Floor Master
- 5 ..... SV-90585 ..... Foam Sleeve
- 5 ..... SV-9059900 ..... Foam Sleeve, Floor Master
- 6 ..... SV-15039993 ..... Screw
- 7 ..... SV-90107 ..... Paper Filter, 3pk
- SV-9039900 ..... Cartridge Filter, Floor Master
- SV-3183000 ..... Filter Retainer, Floor Master
- 8 ..... SV-30065007 ..... Filter Ring
- 9 ..... SV-90668 ..... Collection Filter Bag
- 10 ..... SV-3151497 ..... Tank Assy
- 10 ..... SV-3151997 ..... Tank Assy, Floor Master
- 11 ..... SV-3153400 ..... Dolly
- 12 ..... SV-1501599 ..... Screw
- 13 ..... SV-6774220 ..... Caster

## STANDARD ATTACHMENTS

- 1<sup>1/4</sup>" Hose, with Extension Nozzle, 6 ft
- 1<sup>1/4</sup>" Extension Wands (2)
- 10" Deluxe Wet/Dry Nozzle
- 12" Wet/Dry Nozzle
- 10" Squeegee Insert
- 12" Squeegee Insert
- 12" Brush Insert
- Round Brush
- Crevice Tool
- Gulper Nozzle
- Multi-Surface Nozzle

# SHOP VAC DOMESTIC

Model: QAS60



- 1 ..... SV-8110097 ..... Power Unit Assembly
- 1 ..... SV-8111897 ..... Power Unit Assembly, Floor Master
- 1 ..... SV-8111097 ..... Power Unit Assembly, Bull Dog
- 2 ..... SV-1290506 ..... Foam Insert
- 3 ..... SV-00811 ..... Ball Float
- 4 ..... NLA ..... Lid Cage
- 4 ..... SV-3181800 ..... Lid Cage, Floor Master
- 4 ..... SV-3181201 ..... Lid Cage, Bull Dog
- 5 ..... SV-90585 ..... Foam Sleeve
- 5 ..... SV-9059900 ..... Foam Sleeve, Floor Master
- 6 ..... SV-15039993 ..... Screw
- 7 ..... SV-90107 ..... Paper Filter, 3pk
- 7 ..... SV-9039900 ..... Cartridge Filter, Floor Master
- 7 ..... SV-3183000 ..... Filter Retainer, Floor Master
- 8 ..... SV-30065007 ..... Filter Ring
- 9 ..... SV-90667 ..... Collection Filter Bag
- 10 ..... SV-3151397 ..... Tank Assy
- 10 ..... SV-3151897 ..... Tank Assy, Floor Master
- 10 ..... SV-3151797 ..... Tank Assy, Bull Dog
- 11 ..... SV-3153200 ..... Dolly
- 11 ..... SV-3153201 ..... Dolly, Bull Dog
- 12 ..... SV-1501599 ..... Screw
- 13 ..... SV-6774210 ..... Caster

## STANDARD ATTACHMENTS

- 1<sup>1/4</sup>" Hose, with Extension Nozzle, 6 ft
- 1<sup>1/4</sup>" Extension Wands (2)
- 10" Deluxe Wet/Dry Nozzle
- 12" Wet/Dry Nozzle
- 10" Squeegee Insert
- 12" Squeegee Insert
- 12" Brush Insert
- Round Brush
- Crevice Tool
- Gulper Nozzle
- Multi-Surface Nozzle

PHONE: 1-800-822-7467 FAX: 847-647-0534 E-MAIL: sales@hescoinc.com WEB: www.hescoinc.com