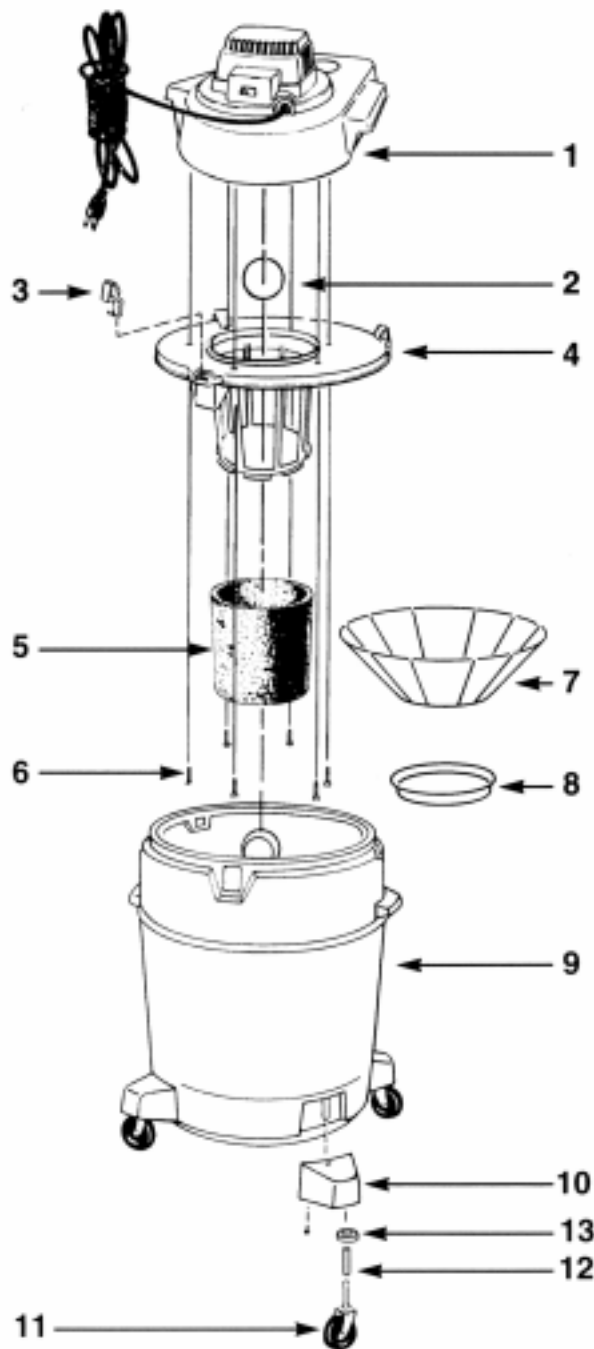


SHOP VAC DOMESTIC

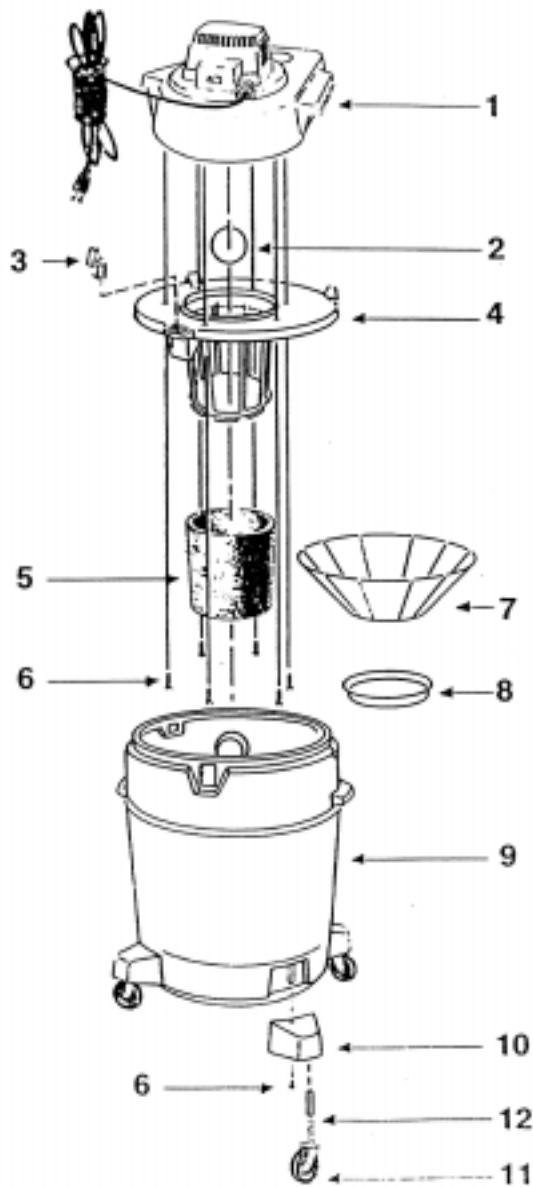
Model: 8040



- 1 SV-8105197 Power Unit Assembly
- 2 SV-00811 Ball Float
- 3 SV-8550101 Lid Latch
- 4 SV-89657142 Lid Cage & Latch Assy, 12/16 gallon
- 4 SV-89887 Lid Cage & Latch Assy, 20/25 gallon
- 5 SV-90585 Foam Sleeve
- 6 SV-90113 Reusable Dry Filter, "super disc"
- 7 SV-30065007 Filter Ring
- 8 SV-15039993 Screw
- 9 SV-8494597 Tank Assy, 12 gallon
- 9 SV-8494697 Tank Assy, 16 gallon
- 9 SV-8494797 Tank Assy, 20 gallon
- 9 SV-8494897 Tank Assy, 25 gallon
- 10 SV-8565000 Caster Foot, 12/16 gallon
- 10 SV-8565101 Caster Foot, 20/25 gallon
- 11 SV-42042 Caster, 4 pk, 12/16 gallon
- 11 SV-4900096 Caster, 4 pk, 20/25 gallon
- 12 SV-85655009 Caster Retainer, 12/16 gallon
- 12 SV-85656 Caster Retainer, 20/25 gallon
- 13 SV-07043995 Flat Washer, 20/25 gallon

SHOP VAC DOMESTIC

Model: 8045



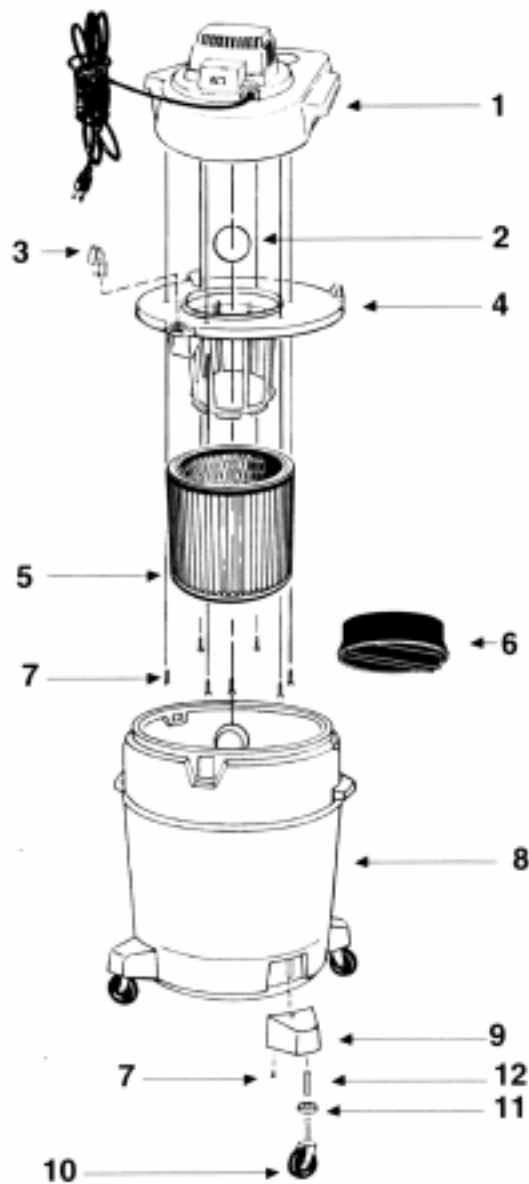
- 1 SV-86139979 Power Unit Assembly
- 2 SV-00811 Ball Float
- 3 SV-8550101 Lid Latch
- 4 SV-89657142 Lid Cage & Latch Assy
- 5 SV-90585 Foam Sleeve
- 6 SV-15039993 Screw
- 7 SV-90107 Paper Filter, 3 pk
- 8 SV-30065007 Filter Ring
- 9 SV-8498497 Tank Assy, 20 gallon
- 10 SV-8565100 Caster Foot
- 11 SV-49000961 Wheel Kit, 4 pk
- 12 SV-85656 Caster Retainer
- 13 SV-07043995 Flat Washer
- 14 SV-1062021 Drain Cap

STANDARD ATTACHMENTS

- 2¹/₂" Hose, 6 ft
- 2¹/₂" Extension Wands (2)
- 6" Utility Nozzle

SHOP VAC DOMESTIC

Model: 8050A



- 1 SV-8105197 Power Unit Assembly
- 2 SV-00811 Ball Float
- 3 SV-8550101 Lid Latch
- 4 SV-89657142 Lid Cage & Latch Assy, 12/16 gallon
- 4 SV-89887 Lid Cage & Latch Assy, 20/25 gallon
- 5 SV-90304 Cartridge Filter
- 6 SV-3008000 Filter Retainer
- 7 SV-15039993 Screw
- 8 SV-8494597 Tank Assy, 12 gallon
- 8 SV-8494697 Tank Assy, 16 gallon
- 8 SV-8494797 Tank Assy, 20 gallon
- 8 SV-8494897 Tank Assy, 25 gallon
- 9 SV-8565000 Caster Foot, 12/16 gallon
- 9 SV-8565100 Caster Foot, 20/25 gallon
- 10 SV-42042 Caster, 4 pk, 12/16 gallon
- 10 SV-4900096 Caster, 4 pk, 20/25 gallon
- 11 SV-85655009 Caster Retainer, 12/16 gallon
- 11 SV-85656 Caster Retainer, 20/25 gallon
- 12 SV-07043995 Flat Washer

STANDARD ATTACHMENTS

- 2¹/₂" Hose, 6 ft
- 2¹/₂" Extension Wands (2)
- 6" Utility Nozzle