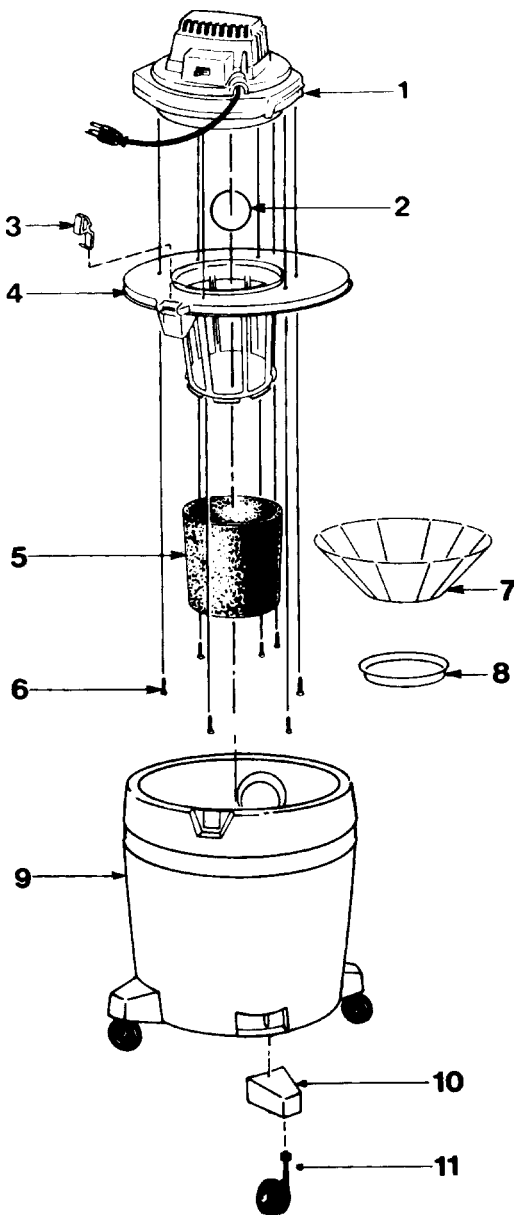


# SHOP VAC INDUSTRIAL

Model: 500A, 500X

Series: 500A

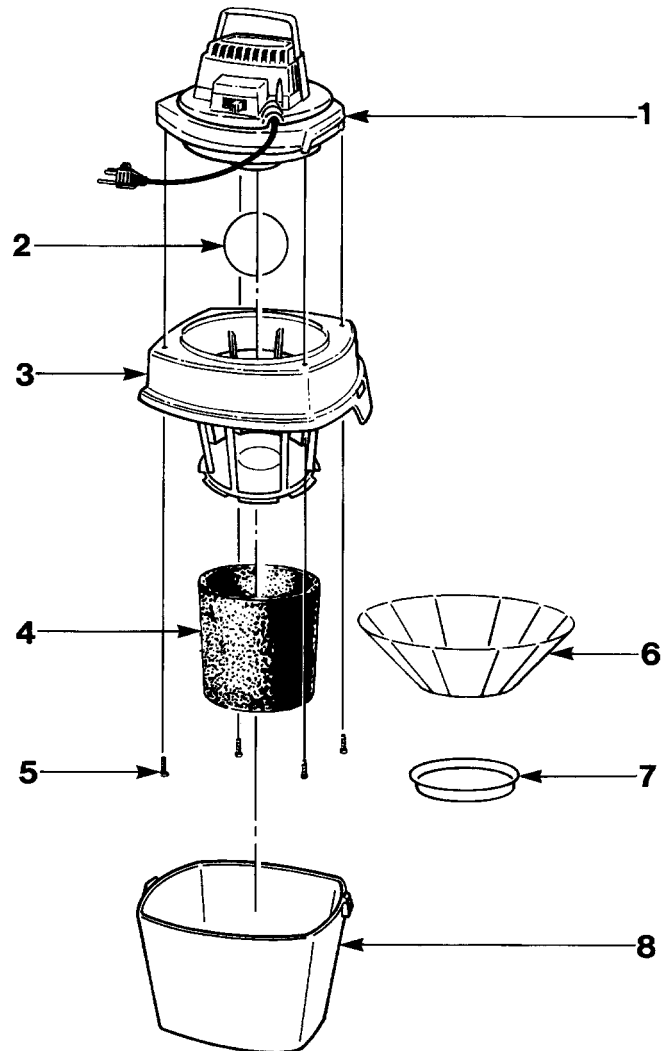
Catalog #: 505-05, 505-06, 505-08, 505-31



- 1 ..... SV-86873973 ..... Power Unit
- 2 ..... SV-00811 ..... Ball Float
- 3 ..... SV-8550101 ..... Latch
- 4 ..... SV-89230148 ..... Lid Latch & Cage Assembly
- 4 ..... SV-89657142 ..... Lid Latch & Cage Assembly
- 5 ..... SV-90585 ..... Foam Filter Sleeve
- 6 ..... NLA ..... Screw
- 7 ..... SV-90107 ..... Reusable Dry Filter
- 8 ..... SV-30065007 ..... Mounting Ring
- 9 ..... SV-84812973 ..... Tank Assembly, 5 gal, 505-05, 505-06, 505-31
- 9 ..... SV-85941979 ..... Tank Assembly, 6 gal, 505-05, 505-06, 505-31
- 10 ..... SV-85808012 ..... Caster Foot, 505-05, 505-06, 505-31
- 11 ..... SV-42043968 ..... Caster, 4 Pack
- 11 ..... SV-42042 ..... Caser, 4 Pack, 505-08

Series: 500X

Catalog #: 505-50



- 1 ..... SV-86104973 ..... Power Unit
- 2 ..... SV-00811 ..... Ball Float
- 3 ..... SV-31800006 ..... Lid Cage Assembly
- 4 ..... SV-90585 ..... Foam Filter Sleeve
- 5 ..... NLA ..... Screw
- 6 ..... SV-90107 ..... Reusable Dry Filter
- 7 ..... SV-30065007 ..... Mounting Ring
- 8 ..... SV-31500973 ..... Tank Assembly (1 gal)