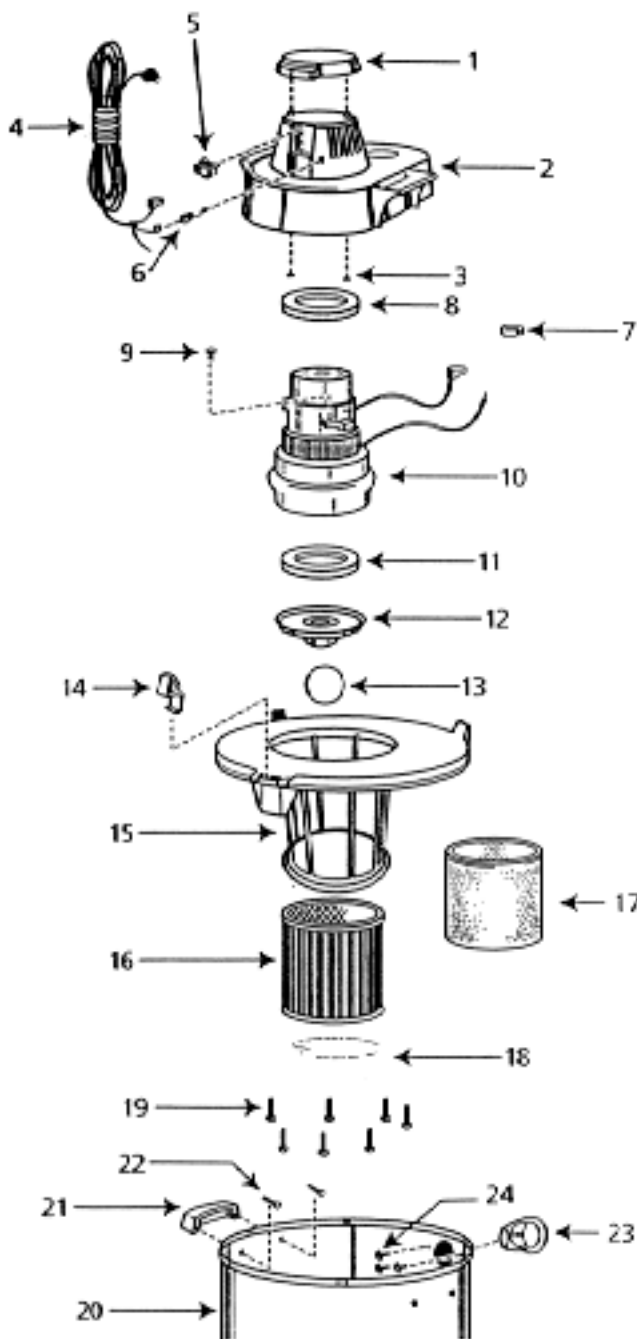


SHOP VAC INDUSTRIAL

Model: 610A/B

Catalog #:
610-40-10,
610-50-00,
610-50-10,
610-60-00

- 1 SV-85550 Cover
- 2 SV-8854000 Motor Housing
- 2 SV-8854200 Motor Housing, 610B
- 2 SV-8854200 Motor Housing, 610-40
- 3 SV-1506399 Screw
- 4 SV-0429296 Power Cord, 12 ft
- 4 SV-0429396 Power Cord, 18 ft
- 4 SV-0424296 Power Cord, 610B
- 5 SV-8230304 Switch
- 5 SV-8231800 Switch, 610B
- 6 SV-34004994 Strain Relief
- 7 SV-05001995 Wire Nut
- 8 SV-20700001 Upper Motor Gasket
- 9 SV-17008996 Ground Screw
- 10 SV-1730097 Motor
- 10 SV-1940047 Motor, 610B
- 11 SV-20716 Lower Motor Gasket
- 12 SV-88607 Grid Plate
- 13 SV-00811 Ball Float
- 14 SV-8550101 Lid Latch
- 15 NLA Lid Cage & Latch Assy
- 16 SV-90304 Cartridge Filter
- 17 SV-90585 Foam Sleeve
- 18 SV-3008000 Filter Retainer
- 19 NLA Screw
- 20 SV-1046697 Tank Assy, w/ inlet, st. steel
- 20 SV-5104596 Tank Assy, w/ inlet, painted
- 21 SV-93551968 Handle Package, 2 handles/4 screws
- 22 SV-15039993 Screw
- 23 SV-21720016 Suction Inlet
- 24 SV-1505499 Screw



SHOP VAC INDUSTRIAL

Model: 610B

- 1 SV-85550 Cover
- 2 SV-8854200 Motor Housing
- 3 SV-15039993 Screw
- 4 SV-0424296 Power Cord
- 5 SV-8231800 Switch
- 6 SV-34004994 Strain Relief
- 7 SV-20700001 Upper Motor Gasket
- 8 SV-17008996 Ground Screw
- 9 SV-1940047 Motor
- 10 SV-20716 Lower Motor Gasket
- 11 SV-88607 Grid Plate
- 12 SV-00811 Ball Float
- 13 SV-8550101 Lid Latch
- 14 NLA Lid Cage & Latch Assy
- 15 SV-90304 Cartridge Filter
- 16 SV-3008000 Filter Retainer
- 17 SV-1509699 Screw
- 18 SV-1046497 Tank Assy, 12 gal
- 18 SV-10465979 Tank Assy, 16 gal
- 19 SV-8565000 Caster Foot
- 20 SV-8565500 Retainer
- 21 SV-15039993 Screw
- 22 SV-67722 Caster
- 23 SV-90585 Foam Sleeve
- 24 SV-1062020 Drain Cap

Catalog #:
610-12-10,
610-16-10

