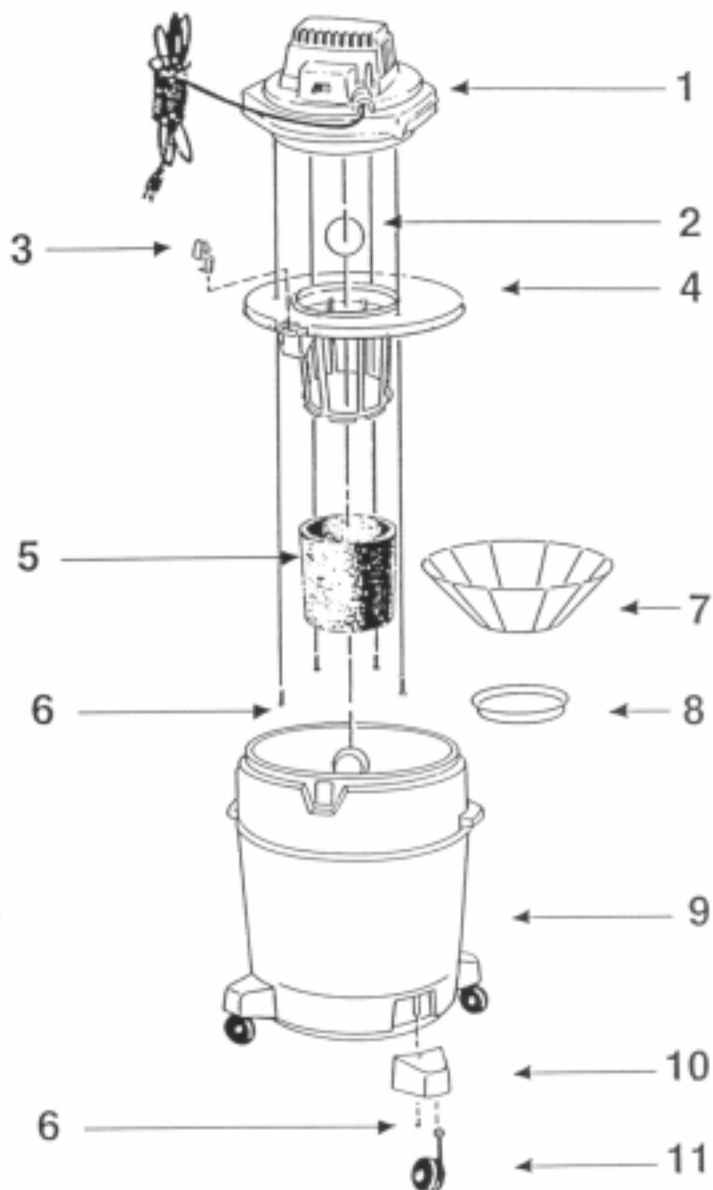


# SHOP VAC DOMESTIC

Model: 5015



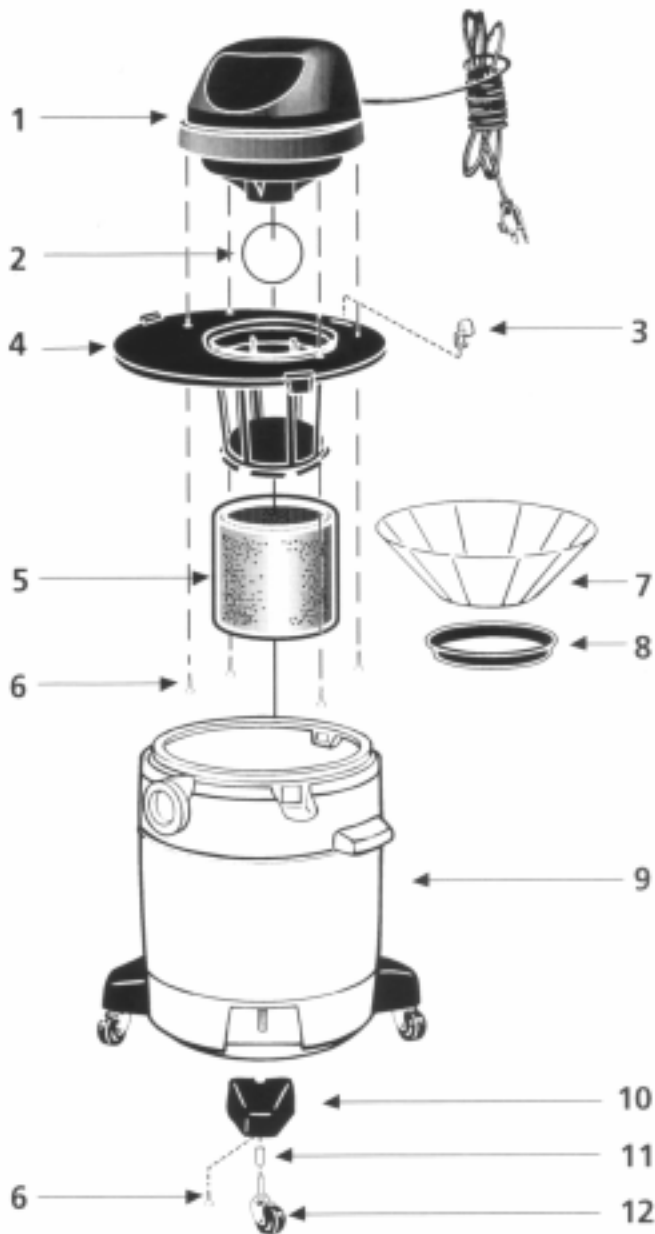
- 1 ..... SV-86873973 ..... Power Unit Assembly
- 2 ..... SV-00811 ..... Ball Float
- 3 ..... SV-8550101 ..... Lid Latch
- 4 ..... SV-89230148 ..... Lid Cage & Latch Assy
- 5 ..... SV-90585 ..... Foam Sleeve
- 6 ..... SV-15039993 ..... Screw
- 7 ..... SV-90107 ..... Paper Filter, 3 pk
- 8 ..... SV-30065007 ..... Filter Ring
- 9 ..... SV-8482797 ..... Tank Assy, 5 gallon
- 10 ..... SV-85815009 ..... Caster Foot
- 11 ..... SV-42043968 ..... Caster

## STANDARD ATTACHMENTS

- 1<sup>1/4</sup>" Hose with extension nozzle, 6 ft
- 1<sup>1/4</sup>" extension wands (2)
- 10" wet/dry nozzle
- 10" squeegee insert
- Gulper Nozzle

# SHOP VAC DOMESTIC

Model: 5025



- 1 ..... SV-8100997 ..... Power Unit Assembly
- 2 ..... SV-00811 ..... Ball Float
- 3 ..... SV-8550101 ..... Lid Latch
- 4 ..... SV-8965724 ..... Lid Cage & Latch Assy
- 5 ..... SV-90585 ..... Foam Sleeve
- 6 ..... SV-15039993 ..... Screw
- 7 ..... SV-90107 ..... Paper Filter, 3 pk
- 8 ..... SV-30065007 ..... Filter Ring
- 9 ..... SV-84941970 ..... Tank Assy, 10 gallon
- 10 ..... SV-8565000 ..... Castor Foot
- 11 ..... SV-8565500 ..... Castor Retainer
- 12 ..... SV-67712000 ..... Castor

## STANDARD ATTACHMENTS

- 1<sup>1/4</sup>" Hose with extension nozzle, 7 ft
- 1<sup>1/4</sup>" extension wands (2)
- 10" wet/dry nozzle
- 10" squeegee insert