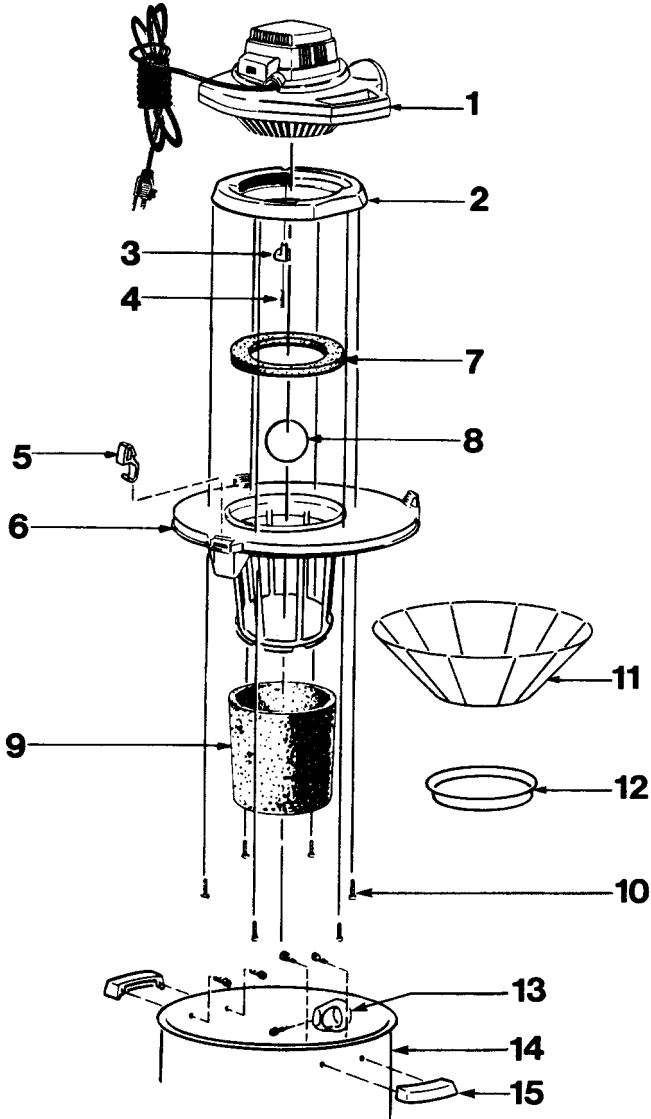


SHOP VAC INDUSTRIAL

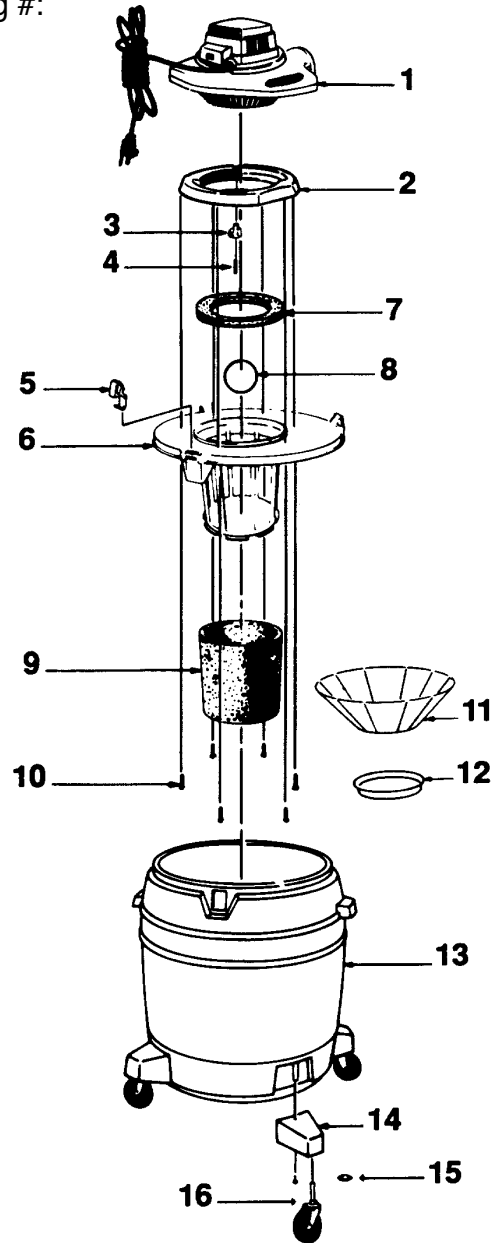
Model: 3030

Catalog #:
333-60



- 1 SV-85473973 Detachable Blower (power unit)
- 2 SV-85411007 Adapter
- 3 SV-85428001 Release Lever
- 4 SV-28007995 Spring
- 5 SV-8550101 Latch
- 6 SV-89887 Lid Cage & Latch Assembly
- 7 SV-20719001 Gasket
- 8 SV-00811 Ball Float
- 9 SV-90585 Foam Filter Sleeve
- 10 NLA Hex Head Screw
- 11 SV-90113 Super Performance Disc Filter
- 12 SV-30065007 Mounding Ring
- 13 SV-21720 Inlet Fitting
- 14 SV-10412971 Tank Assembly
- 15 SV-93551968 Handle Package

Catalog #:
333-65



- 1 SV-85473973 Detachable Blower (power unit)
- 2 SV-85411007 Adapter
- 3 SV-85428001 Release Lever
- 4 SV-28007995 Spring
- 5 SV-8550101 Latch
- 6 SV-89887 Lid Cage & Latch Assembly (16 gal.)
- 7 SV-20719001 Gasket
- 8 SV-00811 Ball Float
- 9 SV-90585 Foam Filter Sleeve
- 10 NLA Hex Head Screw
- 11 SV-90113 Super Performance Disc Filter
- 12 SV-30065007 Mounding Ring
- 13 SV-85782977 Tank Assembly
- 14 SV-85620029 Castor Foot
- 15 SV-0704399 Flatwasher
- 16 SV-4900096 Castor (4 pk)