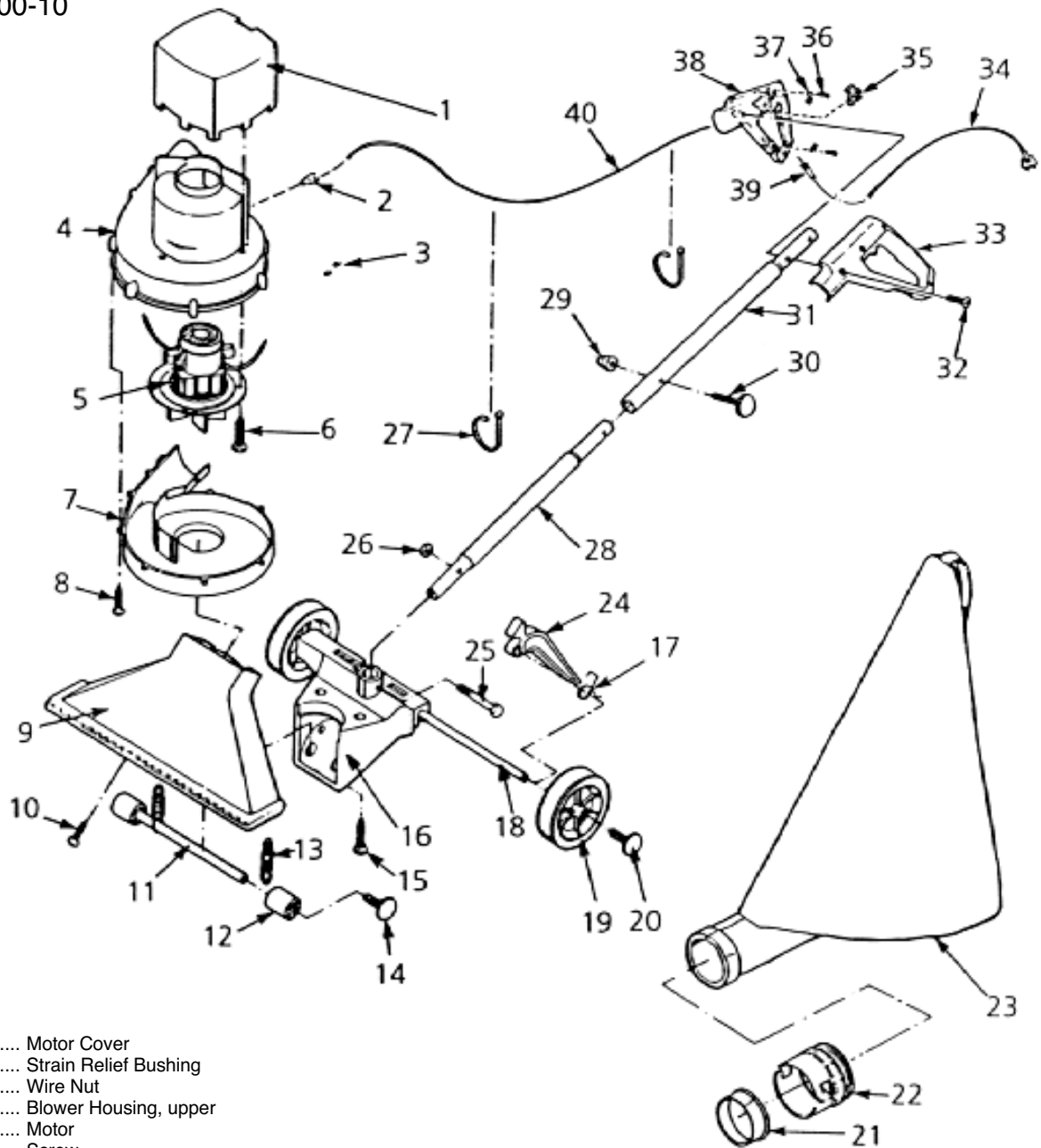


SHOP VAC INDUSTRIAL

Model: 405EDI

Catalog #: 405-00-10



- 1 SV-82905043 Motor Cover
- 2 SV-34004994 Strain Relief Bushing
- 3 SV-05001995 Wire Nut
- 4 SV-82901026 Blower Housing, upper
- 5 SV-1343197 Motor
- 6 NLA Screw
- 7 SV-82902008 Blower Housing, lower
- 8 NLA Screw
- 9 SV-82903204 Nozzle
- 10 NLA Screw
- 11 SV-32725038 Axle
- 12 SV-82919002 Roller
- 13 SV-82918004 Spring
- 14 SV-32726002 Wheel Retainer
- 15 NLA Screw
- 16 SV-82904004 Carrier
- 17 SV-82997008 Spring, for kickstand
- 18 SV-32725061 Axle
- 19 SV-82989005 Wheel, 7"
- 20 SV-32726002 Wheel Retainer
- 21 SV-82975012 Gasket
- 22 SV-82977000 Connector for Bag
- 23 SV-82909284 Cloth Bag, complete

- 24 SV-82996-00-0 Kickstand
- 25 NLA Screw
- 26 NLA Hex Nut
- 27 SV-00422022 Wire Tie
- 28 SV-82926015 Handle, lower
- 29 NLA Acorn Nut
- 30 NLA Carriage Bolt
- 31 SV-82916008 Handle, upper
- 32 NLA Screw
- 33 SV-82986001 Grip Half, left
- 34 SV-04519963 Power Cord
- 35 SV-12100228 Switch
- 36 NLA Screw
- 37 SV-004980062 Cord Clamp
- 38 SV-82985003 Grip Half, right
- 39 SV-12226007 Cord Protector
- 40 SV-04520961 Intermediate Cord

PHONE: 1-800-822-7467 FAX: 847-647-0534 E-MAIL: sales@hescoinc.com WEB: www.hescoinc.com