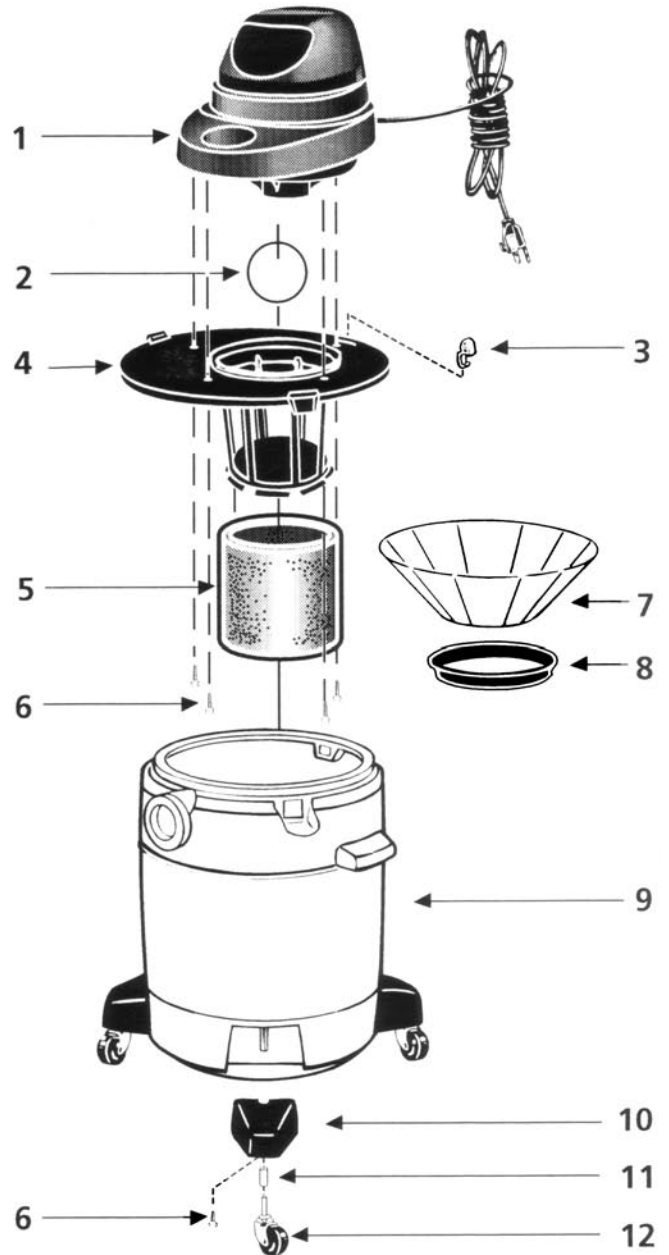


SHOP VAC DOMESTIC

Model: 4045



- 1..... SV-8100697 Power Unit Assembly
- 2..... SV-00811..... Ball Float
- 3..... SV-8550101 Lid Latch
- 4..... SV-8965724 Lid Cage & Latch Assy, 8/10/12/16 gal
- 5..... SV-90585 Foam Sleeve
- SV-90304 Cartridge Filter, 12 gallon contractor
- 6..... SV-15039993 Screw
- 7..... SV-90107 Paper Filter, 3 pk
- 8..... SV-30065007 Filter Ring
- 8..... SV-3008000 Filter Retainer, 12 gallon contractor
- 9..... SV-8455597 Tank Assy, 8 gallon
- 9..... SV-8494497 Tank Assy, 10 gallon
- 9..... SV-8494597 Tank Assy, 12 gallon
- 9..... SV-1046497 Tank Assy, 12 gallon contractor
- 9..... SV-8494697 Tank Assy, 16 gallon
- 10..... SV-8565000 Caster Foot with retainer, 8/10/12/16 gallon
- 11..... SV-8565500 Caster Retainer
- 12..... SV-67712000 Caster, 8/10/12/16 gallon
- SV-8411200..... Tool Holder, 12 gallon contractor
- SV-1062020 Drain Cap, 12 gallon contractor

STANDARD ATTACHMENTS

- 1¹/₄" Hose with extension nozzle, 7 ft
- 1¹/₄" extension wands (2)
- 10" wet/dry nozzle
- 10" squeegee insert

- 2¹/₂" Hose with extension nozzle, 6 ft, w/ 16 gallon
- 2¹/₂" extension wands (2), w/ 16 gallon
- 6" utility nozzle, w/ 16 gallon