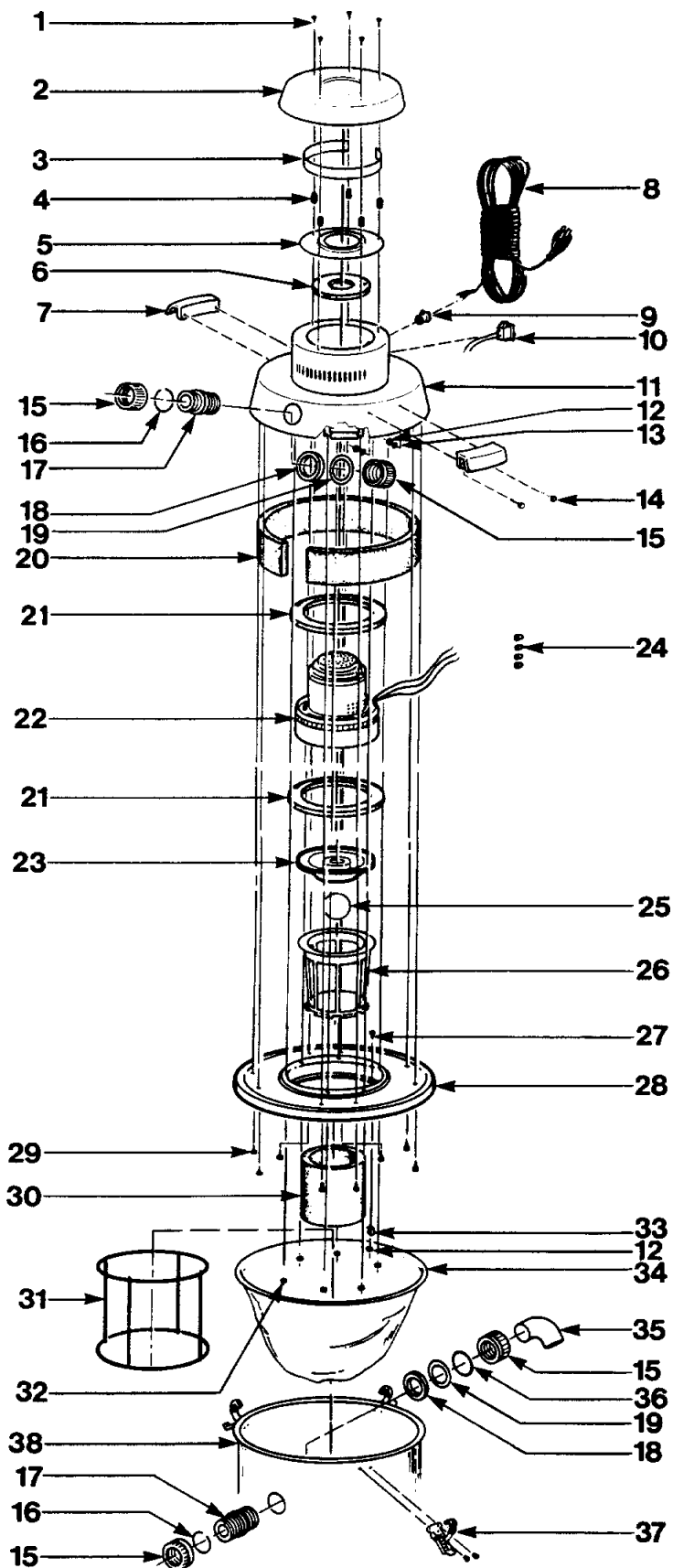


SHOP VAC INDUSTRIAL

Model: 991

Catalog #: 991-10

- 1 NLA Screw
- 2 SV-99300006 Umbrella
- 3 SV-99347007 Baffle Ring
- 4 SV-99331 Hex Spacer
- 5 NLA Motor Mounting Plate, upper
- 6 SV-99338006 Gasket, upper motor
- 7 SV-99359002 Handle, motor housing
- 8 NLA Power Cord
- 9 SV-34018994 Strain Relief
- 10 SV-82302001 Switch
- 11 NLA Motor Housing Assembly
- 12 NLA Hex Nut
- 13 NLA Lockwasher
- 14 SV-64006992 Handle Bolt
- 15 SV-00707 Adapter Nut
- 16 SV-68400001 Retaining Ring
- 17 SV-99354 Inlet Adapter
- 18 SV-99326 Inlet Gasket
- 19 NLA Inlet Washer
- 20 NLA Plenum Foam
- 21 NLA Motor Gasket
- 22 SV-62519004 Motor
- 23 SV-88608005 Grid Plate
- 24 NLA Wire Nut
- 25 SV-00811 Ball Float
- 26 SV-87901005 Filter Cage
- 27 NLA Screw
- 28 NLA Cover
- 29 NLA Screw
- 30 SV-90585 Foam Filter Sleeve
- 31 SV-30037006 Filter Frame
- 32 NLA Hex Nut
- 33 SV-99384000 Filter Frame Clip
- 34 SV-906396 Full Cloth Filter
- 35 SV-99324 Inlet Elbow
- 36 SV-99369001 O-Ring
- 37 SV-01403005 Buckle
- 38 NLA Tank Assembly



PHONE: 1-800-822-7467 FAX: 847-647-0534 E-MAIL: sales@hescoinc.com WEB: www.hescoinc.com