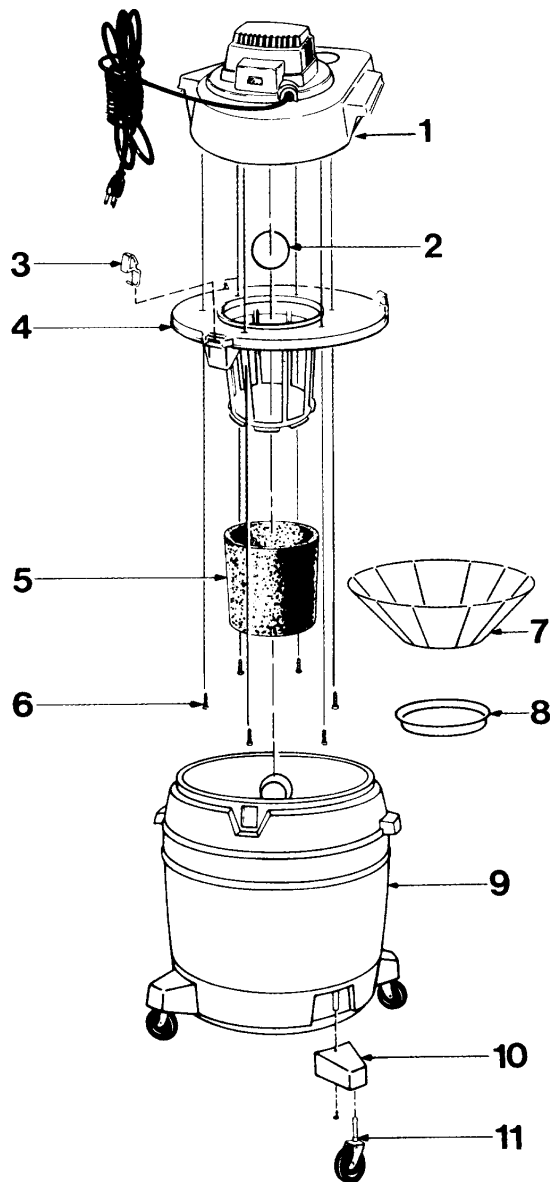
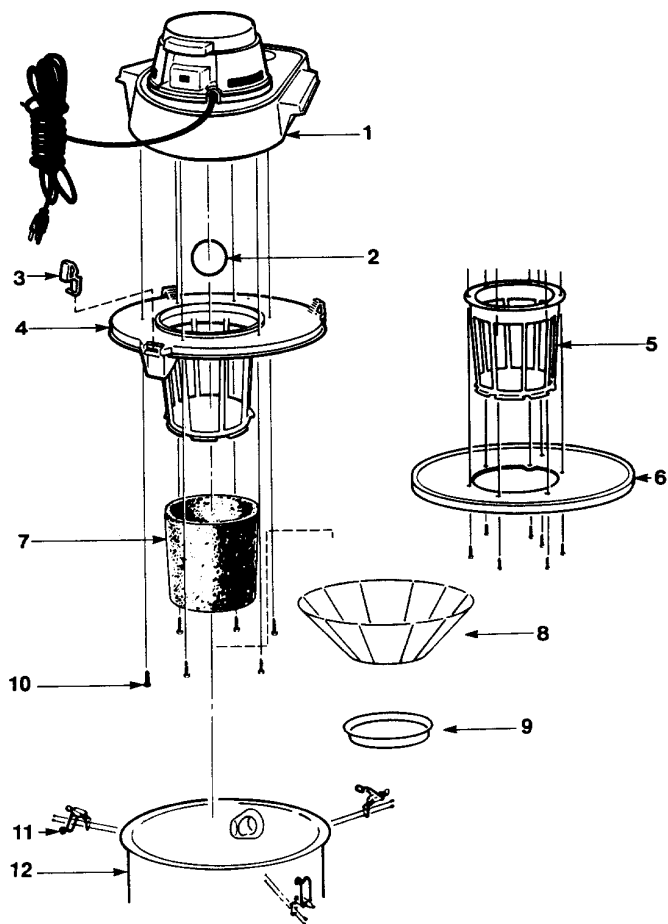


SHOP VAC INDUSTRIAL

Model: 800L

Catalog #: 850-01, 850-02, 850-03

Catalog #: 870-02, 870-03, 870-04, 870-05



- 1 SV-8105097 Power Unit Assembly
- 2 SV-00811 Ball Float
- 3 SV-8550101 Latch
- 4 SV-89657142 Lid Cage & Latch Assy (6 gallon)
- 4 SV-89887 Lid Cage & Latch Assy (10 gallon)
- 5 SV-87901005 Filter Cage (20 gallon)
- 6 NLA
- 7 SV-90585 Foam Filter Sleeve
- 8 SV-90113 Super Performance Filter Disc
- 9 SV-30065007 Mounting Ring
- 10 NLA Screw
- 11 SV-01403005 Buckle (20 gallon)
- 12 SV-10406973 Tank Assembly (6 gallon)
- 12 NLA Tank Assembly (10 gallon)
- 12 SV-10408979 Tank Assembly (20 gallon)

- 1 SV-8105097 Power Unit Assembly
- 2 SV-00811 Ball Float
- 3 SV-8550101 Latch
- 4 SV-89657142 Lid Cage & Latch Assy, 870-02, 870-03
- 4 SV-89887 Lid Cage & Latch Assy, 870-04, 870-05
- 5 SV-90585 Foam Filter Sleeve
- 6 NLA Screw
- 7 SV-90107 Reusable Dry Filter
- 8 SV-30065007 Mounting Ring
- 9 SV-84733971 Tank Assembly (10 gal)
- 9 SV-84734979 Tank Assembly (12 gal)
- 9 SV-84735976 Tank Assembly (16 gal)
- 9 SV-85735975 Tank Assembly (20 gal)
- 10 SV-67712000 Caster Foot
- 10 SV-85620003 Caster Foot, 870-04
- 10 SV-85620029 Caster Foot, 870-05
- 11 SV-42042 Casters, 4 pack
- 11 SV-4900096 Casters, 4 pack, 870-05

PHONE: 1-800-822-7467 FAX: 847-647-0534 E-MAIL: sales@hescoinc.com WEB: www.hescoinc.com