

SHOP VAC INDUSTRIAL

Model: 800/A/E

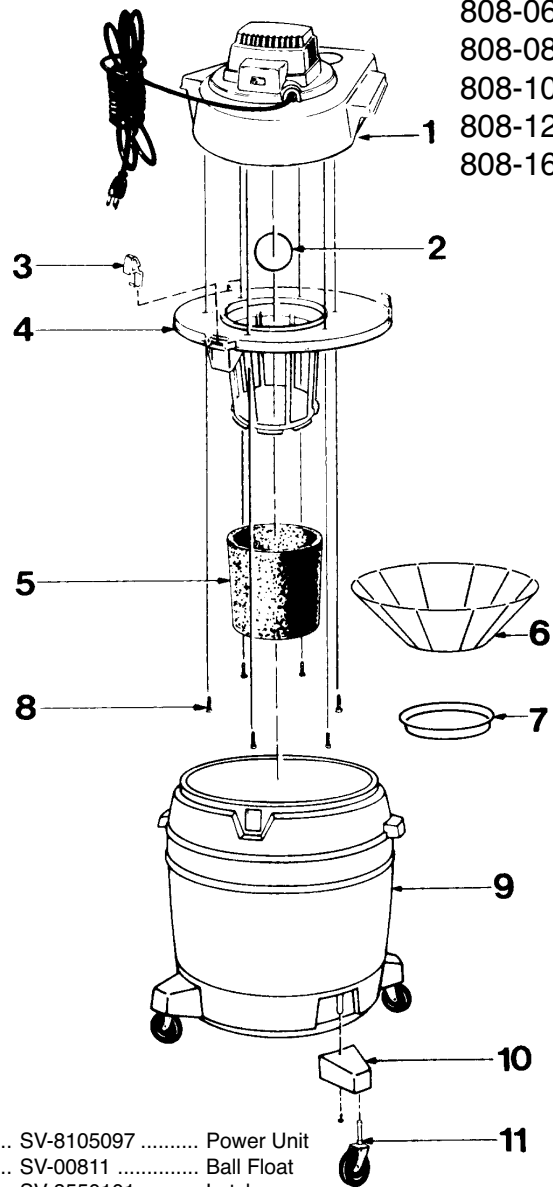
Series: 800, 800A

- NLA Motor Housing Cap
- NLA Blower Housing
- NLA Switch
- NLA Motor Housing
- SV-20700001 Gasket
- MP-503 Cord, 50 ft, black (R)
- L-11619600 Motor, (R)
- SV-20701 Gasket
- SV-89400 Grid Plate
- SV-00811 Ball Float
- NLA Lid Cage, 10 gal, 14"
- SV-88000 Filter Cage, 16 gal models
- SV-90585 Foam Filter Sleeve
- SV-240 Foam Filter Sleeve, (R)
- SV-90101 Paper Filter, 5 pack
- SV-230 Paper Filter, 5 pack (R)



Series: 800E

Catalog #:
808-06,
808-08,
808-10,
808-12,
808-16



- 1 SV-8105097 Power Unit
- 2 SV-00811 Ball Float
- 3 SV-8550101 Latch
- 4 SV-89102149 Lid Cage & Latch Assembly, 808-06
- 4 SV-89657142 Lid Cage & Latch Assembly, 808-08, 808-10, 808-12
- 4 SV-89887 Lid Cage & Latch Assembly, 808-16
- 5 SV-90585 Foam Filter Sleeve
- 6 NLA Screw
- 7 SV-90107 Reusable Dry Filter
- 8 SV-30065007 Mounting Ring
- 9 SV-84805977 Tank Assembly, 808-06
- 9 SV-84730977 Tank Assembly, 808-08
- 9 SV-84728971 Tank Assembly, 10 gal, 808-10
- 9 SV-84731975 Tank Assembly, 12 gal, 808-12
- 9 SV-84732973 Tank Assembly, 16 gal, 808-16
- 10 SV-8581500 Caster Foot
- 10 SV-67712000 Caster Foot, 808-10, 808-12
- 10 SV-85620003 Caster Foot, 808-16
- 11 SV-42042 Casters, 4 pack

**8 CONVENIENT
LOCATIONS ACROSS
THE COUNTRY MEANS
LOWER SHIPPING COSTS
AND FASTER DELIVERY!**

**Atlanta, GA
Columbus, OH
Elkridge, MD
Grand Prairie, TX
Niles, IL
Phoenix, AZ
Sparks, NV
Westfield, MA**

PHONE: 1-800-822-7467 FAX: 847-647-0534 E-MAIL: sales@hescoinc.com WEB: www.hescoinc.com