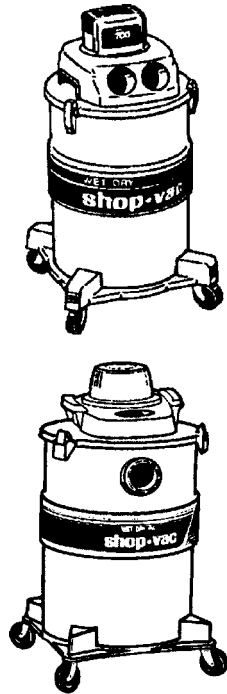


SHOP VAC INDUSTRIAL

Model: 700/A/E/S

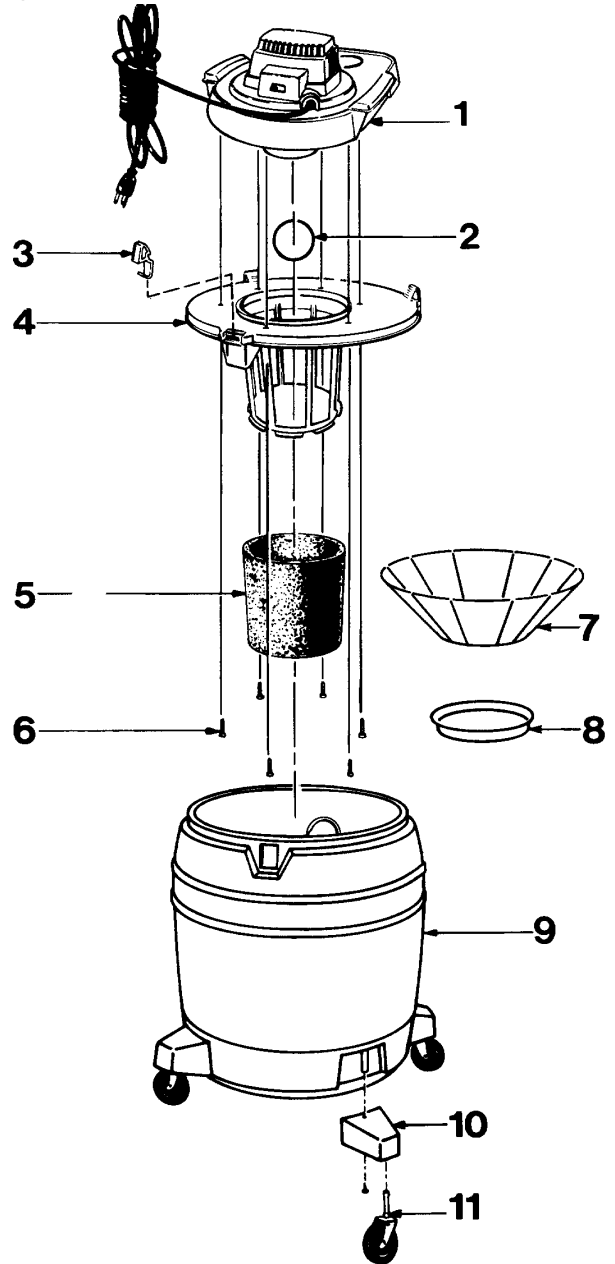
Series: 700, 700A, 700S

- NLA Blower Housing
- NLA Switch
- NLA Fan, 700A
- SV-88604 Grid Plate, 700A
- SV-20700001 Gasket, motor, upper
- MP-503 Cord, 50 ft, black (R)
- SV-12401 Motor, new style, 700S
- SV-8105097 Motor & Housing, 700A
- SV-20701 Gasket, motor, lower
- SV-00811 Ball Float
- NLA Lid Cage, 10 gal, 14"
- SV-90585 Foam Filter Sleeve
- SV-240 Foam Filter Sleeve, (R)
- SV-90101 Paper Bag, 5 pack
- SV-230 Paper Bag, 5 pack (R)
- SV-42042 Caster



Series: 700E

Catalog #: 707-06, 707-08, 707-10



- 1 SV-86138971 Power Unit
- 2 SV-00811 Ball Float
- 3 SV-8550101 Latch
- 4 SV-89210140 Lid Cage & Latch Assembly, 707-06
- 4 SV-89657142 Lid Cage & Latch Assembly, 707-08, 707-10
- 5 SV-90585 Foam Filter Sleeve
- 6 NLA Screw
- 7 SV-90107 Reusable Dry Filter
- 8 SV-30065007 Mounting Ring
- 9 SV-85941979 Tank Assembly, 6 gal, 707-06
- 9 SV-84761972 Tank Assembly, 8 gal, 707-08
- 9 SV-84762970 Tank Assembly, 10 gal, 707-10
- 10 SV-8581500 Caster Foot, 707-06
- 10 SV-67712000 Caster Foot, 707-10
- 11 SV-42042 Casters, 4 pack

**HESCO ACCEPTS
VISA,
MASTERCARD,
DISCOVER,
BRAVO,
PRIVATE ISSUE
AND AMERICAN
EXPRESS!**