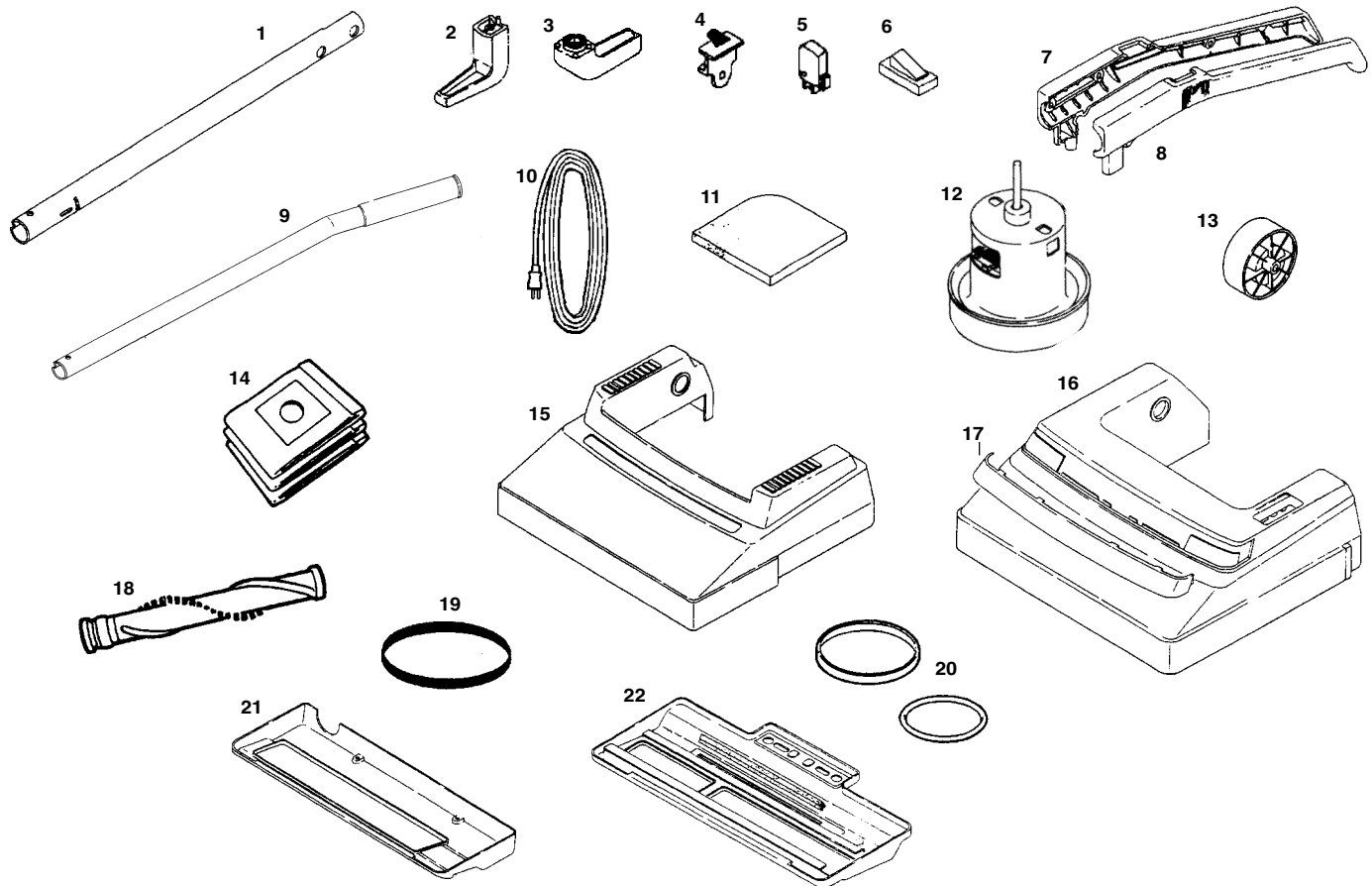


Models: EC-3320A, EC-3420A, EC-3520, EC-3620, EC-3720



OTHER ITEMS FOR THESE MODELS ARE ALSO AVAILABLE. PLEASE ASK YOUR HESCO SALESPERSON.

- | | |
|--|--|
| 1 S-057 Handle Tube, 3520, 3620, 3720 | 12 S-019 Motor Assy, complete, 6 amp, 3420 |
| 2 S-058 Cord Hanger, bottom | 12 S-020 Motor Assy, complete, 7.5 amp, 3520, 3620, 3720 |
| 3 S-059 Cord Hanger, top | 13 S-053 Wheel, (2 required) |
| 4 S-071 Switch Button, on/off | 14 S-007 Paper Bag, twin-ply, 3 pack |
| 5 S-083 Switch, on/off, 3520, 3620, 3720 | 15 S-047 Nozzle Head, 3320, 3420 |
| 6 S-031 Switch, on/off, 3320 | 16 S-048 Nozzle Head, 3520 |
| 7 S-072 Handle Grip, left | 16 S-049 Nozzle Head, 3620 |
| 8 S-073 Handle Grip, right | 16 S-050 Nozzle Head, 3720 |
| 9 S-060 Handle Assy, w/ grip, 3320 | 17 S-051 Lens, 3520, 3620 |
| 9 S-061 Handle Assy, w/ grip, 3420 | 17 S-052 Lens, 3720 |
| 10 S-062 Cord, 18 ft, 3320 | 18 S-004 Agitator Assy, complete, 3320, 3420 |
| 10 S-163 Cord, 21 ft, 3420 | 18 S-003 Agitator Assy, complete, 3520, 3620, 3720 |
| 10 S-064 Cord, 24 ft, 3520 | 19 S-010 Belt, 2 pack, flat, 3320, 3420 |
| 10 S-065 Cord, 30 ft, 3620 | 20 S-011 Belt, 2 pack, 1 round/1 flat, 3520, 3620, 3720 |
| 10 S-066 Cord, 35 ft, 3720 | 21 S-024 Bottom Plate, 3320, 3420 |
| 11 S-037 Filter, secondary, w/ Micron filter | 22 S-025 Bottom Plate, 3520, 3620, 3720 |
| 12 S-018 Motor Assy, complete, 6 amp, 3320 | |

CALL TODAY: 1-800-822-7467