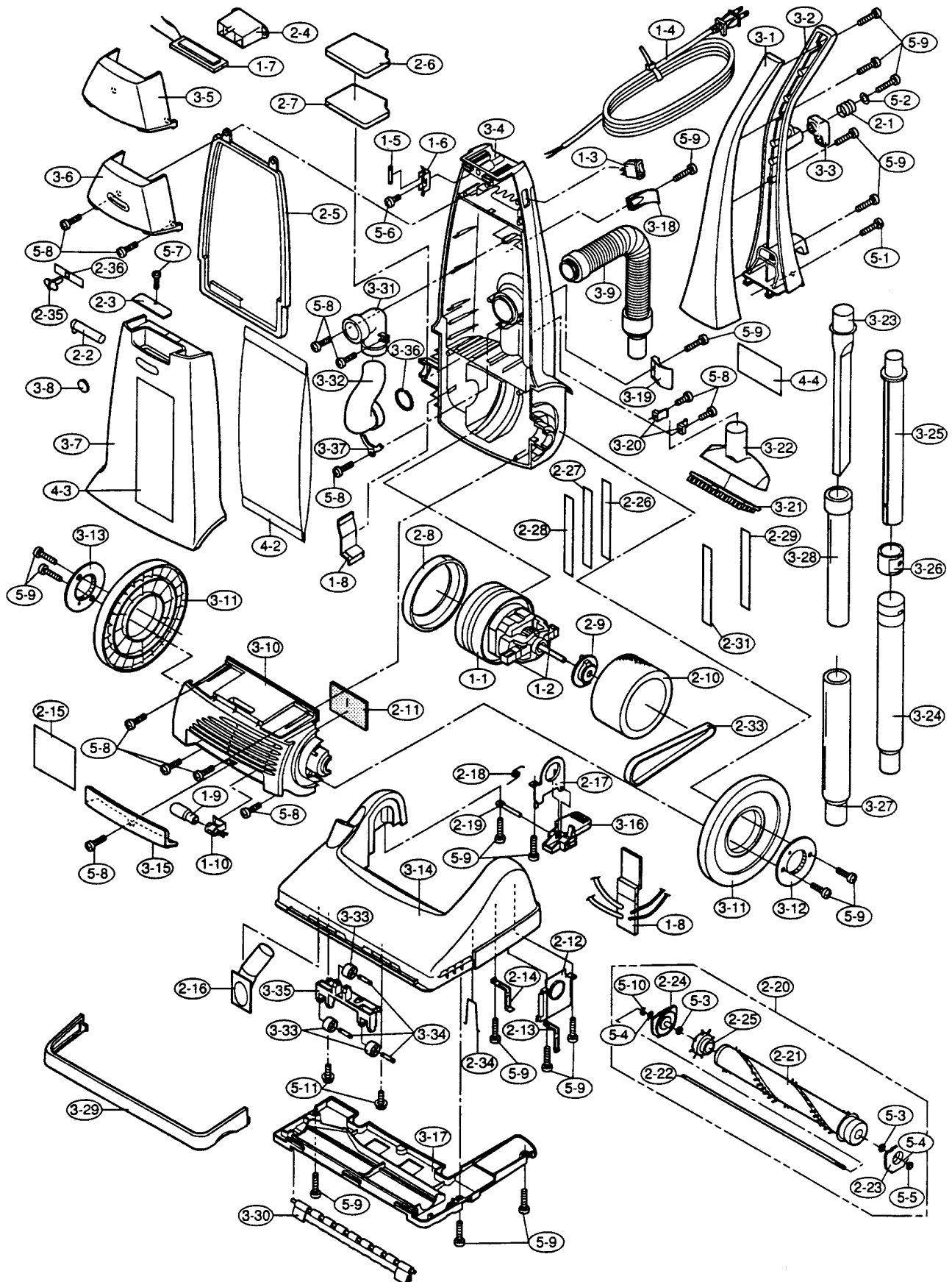


Models: EC-S2620, EC-S2720, EC-T2630, EC-T2640, EC-T2650



Models: EC-S2620, EC-S2720, EC-T2630, EC-T2640, EC-T2650

ELECTRICAL PARTS

1-1 S-906 Motor Assy
1-1 S-1175 Motor Assy, 2620
1-1 S-1224 Motor Assy, 2720
1-2 S-912 Carbon Brush
1-2 S-1156 Carbon Brush, 2620
1-2 S-1225 Carbon Brush, 2720
1-3 S-549 Switch, on/off
1-3 S-030 Switch, on/off, 2720
1-4 S-1157 Power Cord, 2620, 2720
1-4 S-1158 Power Cord, 2630
1-4 S-075 Power Cord, 2640
1-4 S-074 Power Cord, 2650
1-5 S-557 Fuse
1-5 S-910 Fuse, 2720
1-6 S-558 Fuse Holder
1-6 S-927 Fuse Holder, 2720
1-7 S-898 Panel PWB Assy, 2650
1-8 S-1159 Power Control PWB, 2650
1-9 S-209 Lamp
1-10 S-1002 Lamp Socket
S-1226 Fuse Lead Wire F1, 2720
S-1227 Fuse Lead Wire F2, 2720
S-1228 Switch Lead Wire, 2720
S-1229 Motor Lead Wire, 2720

MECHANICAL PARTS

2-1 S-213 Spring, cord hanger
2-2 S-101 Dust Indicator Assy, 2650
2-3 S-1160 Meter Cover, 2650
2-4 S-1161 Volume Angle, 2650
2-5 S-1162 Body Packing
2-6 S-997 Micron Filter, 2640, 2650
2-7 S-660 Secondary Filter
2-8 S-1165 Vibration-proof Rubber T
2-8 S-1163 Vibration-proof Rubber S, 2620
2-9 S-646 Vibration-proof Fixing Rubber
2-10 S-1166 Sound-proof Sponge
2-11 S-1167 Clean Filter
2-12 S-1168 Body Support
2-13 S-1169 Belt Stopper
2-13 S-1232 Belt Stopper, 2720
2-14 S-1170 Belt Stopper 2
2-15 S-215 Reflection Plate
2-15 S-1017 Reflection Plate, 2720
2-16 S-1171 Head Pipe
2-17 S-1172 Pedal Support
2-18 S-1031 Pedal Spring
2-19 S-1173 Pedal Shaft
2-20 S-1116 Agitator Assy
2-20 S-1233 Agitator Assy, 2720
2-21 S-1174 Rotor Assy, agitator
2-22 S-141 Agitator Shaft
2-23 S-789 Agitator Support A

2-24 S-788 Agitator Support B
2-25 S-1176 Brush Rotor B
2-26 S-1177 Pipe Ring, 2640, 2650
2-26 S-1178 Seal Tape A
2-27 S-1179 Seal Tape B
2-28 S-1180 Seal Tape C
2-29 S-247 Seal Tape D
2-31 S-1181 Seal Tape F
2-33 S-702 Flat Belt
2-34 S-1182 Belt Guide Pin
2-35 S-1183 Slide Knob
2-36 S-563 Indicator Plate
S-1230 Stop Rubber, 2720
S-1231 Seal Tape L, 2720

EXTERNAL PARTS

3-1 S-1185 Front Handle
3-1 S-1184 Front Handle, 2620
3-1 S-712 Front Handle, 2650
3-1 S-1234 Front Handle, 2720
3-2 S-711 Rear Handle
3-3 S-593 Hanger
3-4 S-915 Main Body
3-4 S-1235 Main Body, 2720
3-5 S-1186 Panel, 2620
3-5 S-1187 Panel, 2630, 2640
3-6 S-1188 Panel, 2650
3-6 S-1236 Panel, 2720
3-7 S-1189 Dust Cover, 2620
3-7 S-1190 Dust Cover, 2630
3-7 S-1191 Dust Cover, 2640
3-7 S-1192 Dust Cover, 2650
3-7 S-1237 Dust Cover, 2720
3-8 S-1193 Grate Cover, 2620
3-8 S-1194 Grate Cover, 2630, 2640
3-8 S-1195 Grate Cover, 2650
3-8 S-1238 Grate Cover, 2720
3-9 S-659 Hose Assembly
3-10 S-916 Motor Cover, 2620
3-10 S-1196 Motor Cover, 2630, 2640
3-10 S-1197 Motor Cover, 2650
3-10 S-1239 Motor Cover, 2720
3-11 S-914 Wheel
3-12 S-1198 Wheel Cover, left
3-13 S-1199 Wheel Cover, right
3-14 S-1200 Nozzle Head, 2620
3-14 S-1201 Nozzle Head, 2630
3-14 S-1202 Nozzle Head, 2640
3-14 S-1203 Nozzle Head, 2650
3-14 S-1240 Nozzle Head, 2720
3-15 S-1204 Lens
3-16 S-1205 Pedal
3-17 S-973 Bottom Plate, M
3-18 S-1206 Hose Clamp

3-19 S-1207 Pipe Clamp
3-20 S-1208 Brush Clamp
3-21 S-630 Nozzle Brush
3-22 S-1209 Upholstery Nozzle
3-23 S-876 Crevice Tool
3-24 S-790 Out Extension Pipe, 2640, 2650
3-25 S-791 In Extension Pipe, 2640, 2650
3-27 S-834 Out Extension Pipe, 2620, 2630
3-28 S-835 In Extension Pipe, 2620, 2630
3-29 S-1210 Bumper
3-30 S-783 Shuter Assembly
3-31 S-1211 Air Inlet Cover
3-32 S-9001 Air Inlet Cover 2
3-33 S-189 Roller
3-34 S-1212 Leg Shaft
3-35 S-889 Leg Angle
3-36 S-1213 Stop Ring
3-37 S-1214 Cover Support

MISCELLANEOUS

4-2 S-751 Paper Bag, type PU-2, each
4-3 S-1216 Feature Sticker
4-3 S-121 Feature Sticker, 2620
4-3 S-1241 Feature Sticker, 2720
4-4 S-1217 Name Plate, 2620
4-4 S-1218 Name Plate, 2630
4-4 S-1219 Name Plate, 2640
4-4 S-1220 Name Plate, 2650
4-4 S-1242 Name Plate

SCREWS, NUTS & WASHERS

5-1 S-1221 Special Screw, handle fixing
5-1 S-1099 Special Screw, handle fixing,
2720
5-2 S-233 Washer, upper hanger
5-3 S-1098 Washer
5-4 S-1222 Washer
5-5 S-200 Nut
5-6 S-543 Screw
5-7 S-385 Screw, 2650
5-8 S-204 Screw
5-9 S-202 Screw
5-10 S-283 E-Clip
5-11 S-1223 Screw



**ORDERS ARE
SHIPPED THE
SAME DAY!**

**IF PLACED BY
3:00 PM CST**