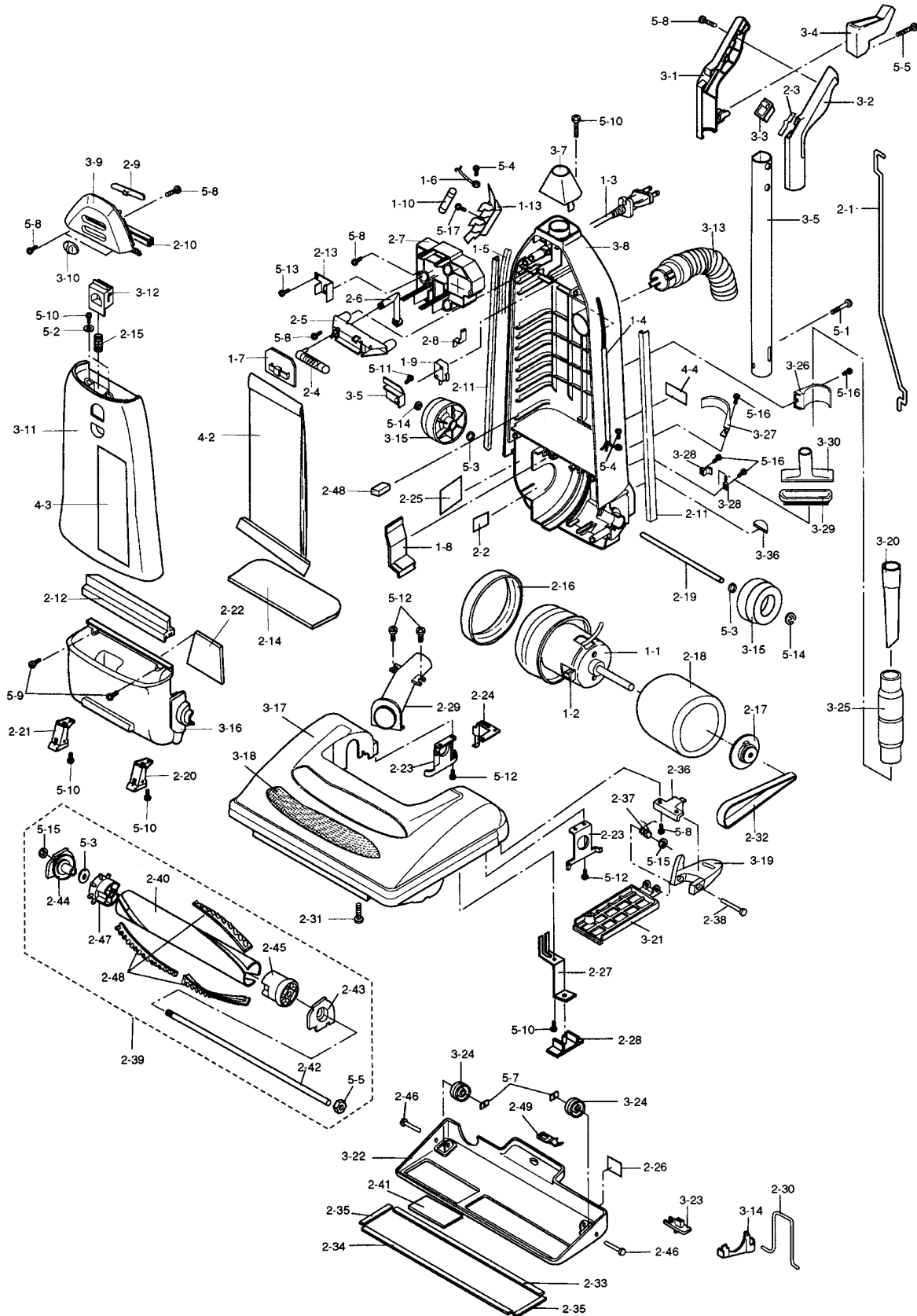


# SHARP

Model: EC-12TWC

# Upright

# COMMERCIAL



## ● ELECTRICAL PARTS

- 1-1 ..... S-555..... Motor Assembly
- 1-2 ..... S-553..... Carbon Brush
- 1-3 ..... S-092..... Power Cord
- 1-4 ..... S-801..... Lead Wire Assembly
- 1-6 ..... S-802..... Grounding Lead Wire
- 1-7 ..... S-095..... Power Control Assembly
- 1-8 ..... S-803..... Triac Assembly
- 1-9 ..... S-804..... Micro Switch
- 1-10 ..... S-557..... Fuse
- 1-11 ..... S-558..... Fuse Holder

## ● MECHANICAL PARTS

- 2-1 ..... S-805..... Switch Rod
- 2-2 ..... S-155..... Body Seal
- 2-3 ..... S-100..... Switch Knob Spring
- 2-4 ..... S-101..... Dust Indicator Assembly
- 2-5 ..... S-559..... Dust Indicator Base
- 2-6 ..... S-560..... Meter Pipe Connector
- 2-7 ..... S-561..... Handle Mounting Base
- 2-8 ..... S-105..... Actuator
- 2-9 ..... S-563..... Indicating Plate
- 2-10 ..... S-564..... Panel Seal
- 2-11 ..... S-565..... Body Seal
- 2-12 ..... S-566..... Motor Cover Seal
- 2-13 ..... S-806..... Screw, mounting plate assembly
- 2-15 ..... S-111..... Clamp Spring
- 2-16 ..... S-112..... Vibration-Proof Rubber
- 2-17 ..... S-646..... Vibration-Proof Fixing Rubber
- 2-18 ..... S-570..... Sound-Proof Sponge
- 2-19 ..... S-115..... Wheel Shaft
- 2-20 ..... S-571..... Leg Assembly TA
- 2-21 ..... S-572..... Leg Assembly TB
- 2-22 ..... S-573..... Clean Filter
- 2-23 ..... S-574..... Body Support
- 2-24 ..... S-575..... Belt Stopper
- 2-25 ..... S-154..... Body Seal Tape S
- 2-26 ..... S-160..... Seal Tape F
- 2-27 ..... S-120..... Belt Stopper 3
- 2-28 ..... S-121..... Belt vibration-proof rubber
- 2-29 ..... S-579..... Head Pipe
- 2-30 ..... S-123..... Belt Guide Pin
- 2-31 ..... S-125..... Bottom PLate Fixing Screw
- 2-32 ..... S-702..... Flat Belt M
- 2-33 ..... S-159..... Seal Tape E
- 2-34 ..... S-158..... Seal Tape G
- 2-35 ..... S-151..... Seal Tape B
- 2-36 ..... S-130..... Pedal Support L
- 2-37 ..... S-131..... Pedal Spring
- 2-38 ..... S-132..... Pedal Shaft
- 2-39 ..... S-002..... Agitator Assembly
- 2-40 ..... S-133..... Agitator Pipe Assembly
- 2-42 ..... S-141..... Agitator Shaft
- 2-43 ..... S-142..... Agitator Support A
- 2-44 ..... S-143..... Agitator Support B
- 2-45 ..... S-144..... Main Pulley Assembly
- 2-46 ..... S-149..... Roller Shaft
- 2-47 ..... S-145..... Brush Rotor B Assembly
- 2-48 ..... S-146..... Brush Base Assembly
- 2-49 ..... S-148..... Bottom Plate Spring

## ● EXTERNAL PARTS

- 3-1 ..... S-163..... Grip, right
- 3-2 ..... S-164..... Grip, left
- 3-3 ..... S-165..... Main Switch Knob
- 3-4 ..... S-166..... Hanger C
- 3-5 ..... S-831..... Actuator Support
- 3-6 ..... S-167..... Handle Pipe

- 3-7 ..... S-807..... Body Cap
- 3-8 ..... S-808..... Main Body
- 3-9 ..... S-809..... Panel
- 3-10 ..... S-604..... Slide Knob
- 3-11 ..... S-810..... Dust Cover
- 3-12 ..... S-811..... Clamp Knob
- 3-13 ..... S-612..... Hose Assembly
- 3-14 ..... S-191..... Head Shelter Plate
- 3-15 ..... S-178..... Wheel
- 3-16 ..... S-812..... Motor Cover
- 3-17 ..... S-813..... Nozzle Head M Assembly
- 3-18 ..... S-814..... Lens M
- 3-19 ..... S-706..... Pedal L
- 3-20 ..... S-876..... Crevice Tool 1
- 3-21 ..... S-187..... Belt Cover M
- 3-22 ..... S-626..... Bottom Plate M
- 3-23 ..... S-188..... Bottom Plate Knob
- 3-24 ..... S-189..... Roller
- 3-25 ..... S-815..... Extension Pipe Assembly
- 3-26 ..... S-594..... Hose Clamp
- 3-27 ..... S-595..... Pipe Clamp
- 3-28 ..... S-596..... Brush Clamp
- 3-29 ..... S-630..... Nozzle Brush
- 3-30 ..... S-631..... Upholstery Nozzle

## ● MISCELLANEOUS

- 4-1 ..... N/A..... Operation Manual
- 4-2 ..... S-817..... Cloth Bag
- 4-2 ..... S-007..... Paper bags
- 4-3 ..... S-818..... Feature Sticker
- 4-4 ..... S-832..... Name Plate

## ● SCREWS, NUTS AND WASHERS

- 5-1 ..... S-819..... Special Screw, handle fixing
- 5-2 ..... S-233..... Washer, clamp knob
- 5-3 ..... S-197..... Special Washer
- 5-4 ..... S-820..... Screw
- 5-6 ..... S-200..... Nut
- 5-7 ..... S-201..... Speed Nut
- 5-8 ..... S-202..... Screw
- 5-9 ..... S-202..... Screw
- 5-10 ..... S-204..... Screw
- 5-11 ..... S-235..... Screw
- 5-12 ..... S-236..... Screw
- 5-13 ..... S-546..... Screw
- 5-14 ..... S-643..... E-Crip
- 5-15 ..... S-238..... E-Crip
- 5-16 ..... S-642..... Screw, black
- 5-18 ..... S-641..... Screw

**8 LOCATIONS ACROSS THE  
COUNTRY MEAN FASTER  
DELIVERY AND LOWER  
SHIPPING COSTS FOR YOU!**

**Arizona, Georgia, Illinois, Maryland,  
Massachusetts, Ohio, Texas, Nevada**