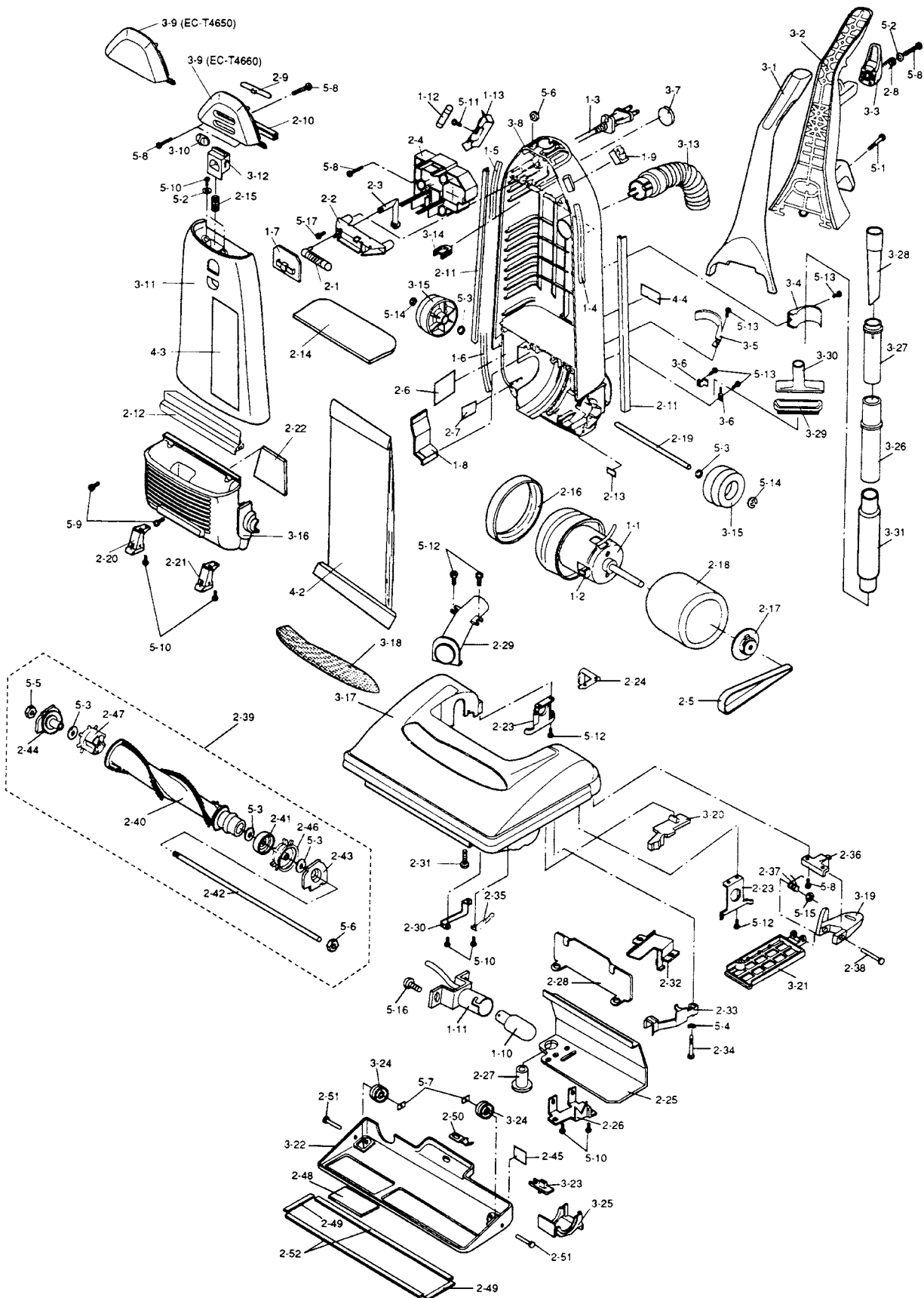


SHARP

Models: EC-T4650, EC-T4660

Uprights



Models: EC-T4650, EC-T4660

● ELECTRICAL PARTS

1-1	S-906	Motor assembly
1-2	S-553	Carbon brush
1-3	S-074	Power cord
1-4	S-206	Motor lead wires
1-5	NLA	circuit lead wires
1-6	S-208	Lamp lead wires
1-7	S-095	Power control assembly, EC-T4660
1-8	S-709	Triac assembly, EC-T4660
1-9	S-549	On/off switch
1-10	S-209	Lamp
1-11	S-947	Lamp socket
1-12	S-557	Fuse
1-13	S-558	Fuse holder

● MECHANICAL PARTS

2-1	S-101	Dust indicator assembly, EC-T4660
2-2	S-559	Dust indicator base, EC-T4660
2-3	S-560	Meter pipe connector, EC-T4660
2-4	S-561	Handle mounting base
2-5	S-702	Flat belt M
2-6	S-154	Body seal tape S
2-7	S-155	Body seal tape L
2-8	S-213	Spring for cord hanger
2-9	S-563	Indicating plate, EC-T4660
2-10	S-564	Panel seal
2-11	S-565	Body seal
2-12	S-566	Motor cover seal
2-13	S-158	Seal tape G
2-14	S-567	Secondary filter
2-15	S-111	Clamp spring
2-16	S-112	Vibration proof rubber
2-17	S-646	Vibration proof fixing rubber
2-18	S-570	Sound proof sponge
2-19	S-115	Wheel shaft
2-20	S-571	Leg assembly TA
2-21	S-572	Leg assembly TB
2-22	S-1284	Clean filter
2-23	S-574	Body support
2-24	S-575	Belt stopper
2-25	S-576	Reflection plate
2-26	S-577	Lamp support
2-27	S-217	Cord bushing for nozzle head
2-28	S-578	Heat proof plate
2-29	S-579	Head pipe
2-30	NLA	head reinforcing plate
2-31	S-125	Bottom fixing screw
2-32	S-580	Belt change lever support
2-33	S-581	Belt change plate
2-34	S-1330	Belt change shaft
2-35	S-582	Belt change spring
2-36	S-130	Pedal support L
2-37	S-131	Pedal spring
2-38	S-132	Pedal shaft
2-39	S-0018	Agitator assembly
2-40	S-585	Agitator rotor assembly
2-41	S-134	Idling pulley assembly
2-42	S-135	Agitator shaft assembly
2-44	S-588	Agitator support B assembly
2-45	S-160	Seal tape F
2-46	S-139	Brush rotor A
2-47	S-589	Brush rotor B
2-48	NLA	Seal tape C
2-49	S-151	Seal tape B

2-50	S-148	Bottom plate spring
2-51	S-149	Roller shaft
2-52	S-150	Seal tape A

● EXTERNAL PARTS

3-1	S-591	Front handle
3-2	S-592	Rear handle
3-3	S-593	Upper hanger
3-4	S-594	Hose clamp
3-5	S-595	Pipe clamp
3-6	S-596	Brush clamp
3-7	S-632	Hole cover
3-8	S-1249	Main body
3-9	S-1324	Panel, EC-T4660
3-9	S-843	Panel, EC-T4650
3-10	S-604	Slide knob, EC-T4660
3-11	S-1696	Dust cover, EC-T4660
3-11	S-1251	Dust cover, EC-T4650
3-12	S-942	Clamp knob, EC-T4660
3-12	NLA	Clamp knob, EC-T4650
3-13	S-612	Hose assembly
3-14	S-1245	U-seal
3-15	S-178	Wheel
3-16	S-615	Motor cover, EC-T4660
3-16	S-613	Motor cover, EC-T4650
3-17	S-703	Nozzle head L assembly, EC-T4660
3-17	S-931	Nozzle head L assembly, EC-T4650
3-18	S-620	Lens L
3-19	S-706	Pedal L1
3-20	S-624	Belt change lever
3-21	S-186	Belt cover L
3-22	S-625	Bottom plate L
3-23	S-188	Bottom plate knob
3-24	S-189	Roller
3-25	S-190	Pulley cover
3-26	S-627	Out extension pipe, EC-T4650
3-27	S-640	In extension pipe, EC-T4650
3-28	S-876	Crevice tool
3-29	S-630	Nozzle brush
3-30	S-1328	Upholstery nozzle
3-31	S-815	Plastic wand

● MISCELLANEOUS

4-2	S-751	Paper bag
4-3	S-862	Feature sticker

● SCREWS, NUTS, AND WASHERS

5-1	S-639	Special screw, handle fixing
5-2	S-233	Washer, upper hanger and clamp knob
5-3	S-1329	Washer, wheel shaft
5-4	S-198	Wave washer
5-5	S-199	Special nut, left hand screw type
5-6	S-200	Nut
5-7	S-201	Speed nut
5-8	S-202	Screw
5-9	S-203	Screw
5-10	S-204	Screw
5-11	S-641	Screw
5-12	S-236	Screw
5-13	S-642	Screw, black color
5-14	S-643	E-crip
5-15	S-238	E-crip
5-16	S-644	Screw
5-17	S-202	Screw