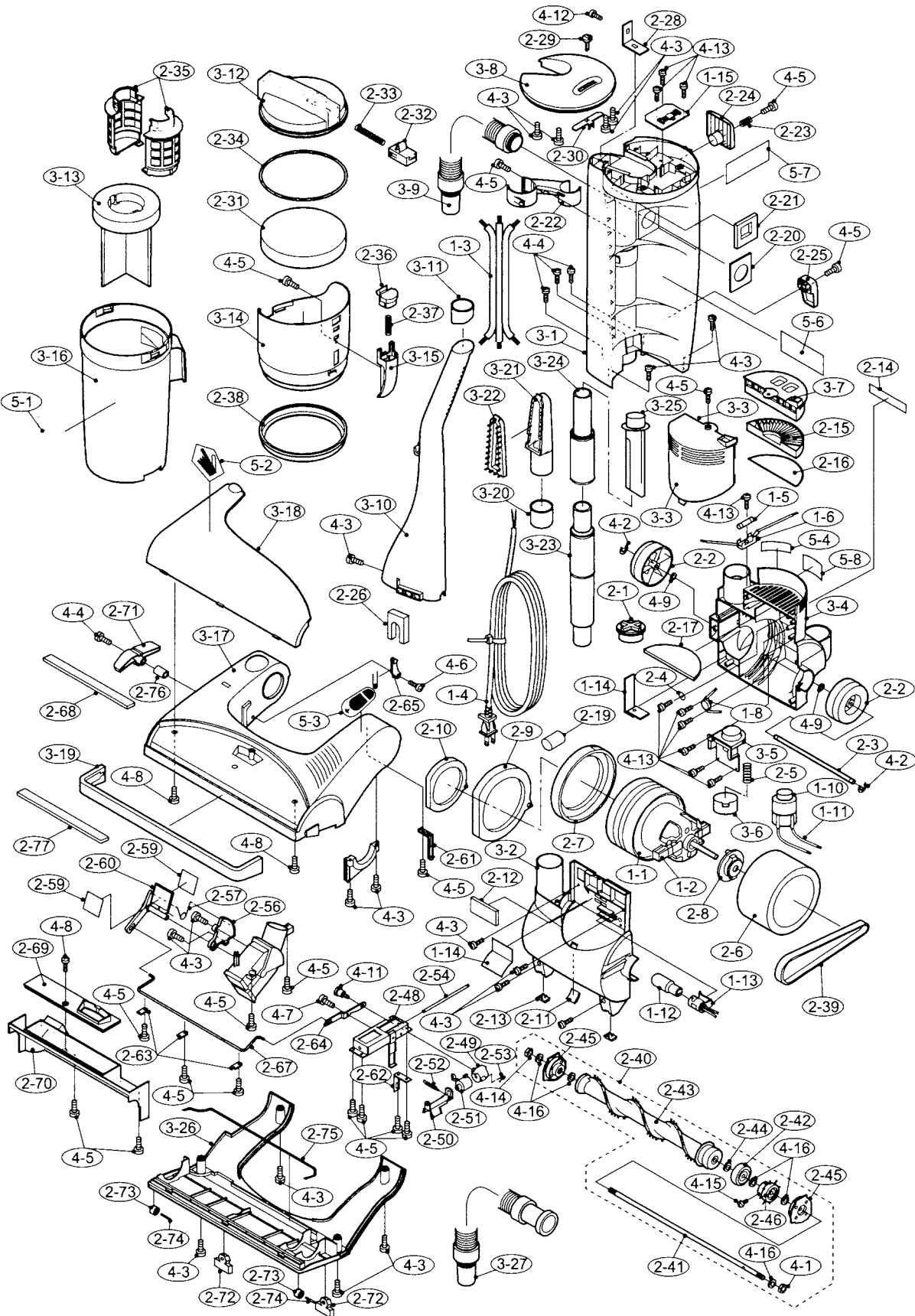


Models: EC-S5170, EC-T5180, EC-T5180A, EC-T5180B



Models: EC-S5170, EC-T5180, EC-T5180A, EC-T5180B

■ ELECTRICAL PARTS

1-1 S-1100 Motor assembly,
EC-T5180, EC-T5180A, EC-T5180B
1-1 S-991 Motor assembly, EC-S5170
1-2 S-992 Carbon brush
1-3 S-206 Motor lead wire,
EC-T5180, EC-T5180A, EC-T5180B
1-4 S-1642 Power cord assembly,
EC-T5180, EC-T5180A, EC-T5180B
1-4 S-1643 Power cord assembly, , EC-S5170
1-5 S-557 Fuse
1-6 S-558 Fuse holder
1-7 S-993 Lead wire, fuse holder
1-8 S-1523 Thermostat
1-9 S-1838 Lead wire, thermostat
1-10 ... S-1837 On/off switch
1-11 S-1839 Lead wire, on/off switch
1-12 ... S-1496 Lamp
1-13 NLA Lamp socket
1-14 ... S-1645 Triac PWB assy, EC-T5180/A/B
1-15 ... S-095 Power control assy, EC-T5180/A/B

■ MECHANICAL PARTS

2-1 S-1525 Air valve assy, EC-T5180/A/B
2-1 S-1646 Air valve assy, EC-S5170
2-2 S-1647 Wheel
2-3 S-115 Wheel shaft
2-4 S-1860 cord hold
2-5 S-1854 Switch spring
2-6 S-1526 Sound proof sponge
2-7 S-569 Vibration proof rubber
2-8 S-646 vibration proof fixing rubber
2-9 S-1648 Motor shelter plate
2-10 ... S-1920 M/shelter plate packing
2-11 S-1898 Lens seal tape
2-12 ... NLA M/F seal tape
2-13 ... S-1649 Leg cover
2-14 ... S-1867 Filter case seal
2-15 ... S-1650 Filter unit assembly, EC-T5180/A/B
2-16 ... S-1651 Exhaust filter, EC-S5170
2-17 ... S-1652 Clean filter
2-18 ... S-1017 Reflection plate
2-19 ... S-1866 Fkane retardant cap
2-20 ... S-1653 Body packing
2-21 ... S-1654 Bin packing
2-22 ... S-1655 Nozzle holder
2-23 ... S-213 Hanger spring
2-24 ... S-1656 Top hanger
2-25 ... S-1657 Lower hanger
2-26 ... S-1658 H/reinforcing plate
2-27 ... S-1394 Stop ring
2-28 ... S-1921 Handle support
2-29 ... S-1660 Slide knob, EC-T5180/A/B
2-30 ... S-1661 Indicating plate, EC-T5180/A/B
2-31 ... S-1663 Main filter

2-32 ... S-1664 Lid clamp
2-33 ... S-1852 Lid clamp spring
2-34 ... S-1665 Lid packing
2-35 ... S-1666 Net filter
2-36 ... S-1667 Bin clamp
2-37 ... S-1855 clamp spring
2-38 ... S-1668 Filter box packing
2-39 ... S-702 Flat belt
2-40 ... S-1705 Agitator 1st assy
2-41 ... S-1413 Agitator shaft assy
2-42 ... S-1706 Idler pulley assy
2-43 ... S-1756 Agitator rotor 2nd assy
2-44 ... S-1368 Pulley spacer
2-45 ... S-1758 Agitator support, 15" assy
2-46 ... S-1369 Brush rotor A
2-47 ... S-1375 Brush rotor B15
2-48 ... S-1707 BC support assy
2-49 ... S-1848 BC lever
2-50 ... S-1849 BC plate
2-51 ... S-1922 BC hook
2-52 ... S-1855 BC plate spring
2-53 ... S-1858 BC lever spring
2-54 ... S-1861 BC lever shaft
2-55 ... S-1708 BFM body
2-56 ... S-1709 BFM cover
2-57 ... S-1857 BFM spring
2-58 ... NLA BFM ring
2-59 ... NLA BFM valve seal
2-60 ... S-1710 BFM valve
2-61 ... S-1711 Belt stopper 2
2-62 ... S-1712 Belt stopper 3
2-63 ... S-1713 Link bar washer
2-64 ... NLA B/C arm
2-65 ... S-1851 Head lock hook
2-66 ... S-1853 Head lock spring
2-67 ... S-1714 Link bar
2-68 ... S-1898 Seal tape T
2-69 ... S-1649 Main duct cover
2-70 ... S-1863 Main duct
2-71 ... S-1664 BFM lever
2-72 ... S-1923 Bottom pad
2-73 ... S-1715 Roller
2-74 ... S-1716 roller shaft
2-75 ... NLA B/P seal tape
2-76 ... NLA BFM ring
2-77 ... NLA Seal tape BFM

■ EXTERNAL PARTS

3-1 S-1924 Main Body
3-2 S-1717 Motor cover F
3-3 S-1718 Lens, EC-T5180B
3-3 S-1719 Lens, EC-T5180
3-3 S-1720 Lens, EC-T5180A
3-3 S-1720 Lens, EC-S5170
3-4 S-1927 Motor cover R

3-5 S-1722 Switch cover
3-6 S-1723 FT switch button
3-7 S-1724 Filter case
3-8 NLA Panel, EC-S5170
3-8 NLA Panel, EC-T5180
3-8 NLA Panel, EC-T5180A
3-8 NLA Panel, EC-T5180B
3-9 S-1725 Hose assembly
3-10 ... S-1726 Handle
3-11 ... NLA Handle cap
3-12 ... S-1727 Filter box lid
3-13 ... S-1728 Guide disk, EC-T5180B
3-13 ... S-1729 Guide disk, EC-T5180
3-13 ... S-1730 Guide disk, EC-T5180A
3-13 ... S-1730 Guide disk, EC-S5170
3-14 ... S-1732 Filter box
3-15 ... S-1877 Bin handle
3-16 ... S-1736 Dust bin, EC-T5180B
3-16 ... S-1737 Dust bin, EC-T5180
3-16 ... S-1737 Dust bin, EC-T5180A
3-16 ... S-1737 Dust bin, EC-S5170
3-17 ... S-1740 Nozzle head 15
3-18 ... S-1741 Head cover 15, EC-T5180B
3-18 ... S-1743 Head cover 2, EC-T5180
3-18 ... S-1743 Head cover 2, EC-T5180A
3-18 ... S-1743 Head cover 2, EC-S5170
3-19 ... NLA Bumper
3-20 ... S-1888 Nozzle pipe
3-21 ... S-1889 Upholstery nozzle
3-22 ... S-1745 Brush base
3-23 ... S-1746 Out extension pipe
3-24 ... S-1747 In extension pipe
3-25 ... S-1748 crevice tool
3-26 ... S-1749 Bottom plate
3-27 ... S-1750 Optional hose assy,
EC-T5180, EC-T5180A, EC-T5180B

■ SCREWS, NUTS AND WASHERS

4-1 S-200 Nut
4-2 S-643 E-Ring
4-3 S-1692 Screw
4-4 S-1581 Screw
4-5 S-1928 Screw
4-6 S-1895 Screw
4-7 S-1760 Screw, FT type
4-8 S-546 Screw
4-9 NLA Wheel washer
4-10 ... S-1891 Hanger washer
4-11 ... S-1890 BC arm screw
4-12 ... S-1751 Handle fixing screw
4-13 ... S-1244 Screw
4-14 ... S-199 Left-hand nut, M6
4-15 ... S-761 Machine screw
4-16 ... S-1703 Agitator washer

CALL TODAY: 1-800-822-7467

Fax: 1-847-647-0534 • E-mail: sales@hescoinc.com