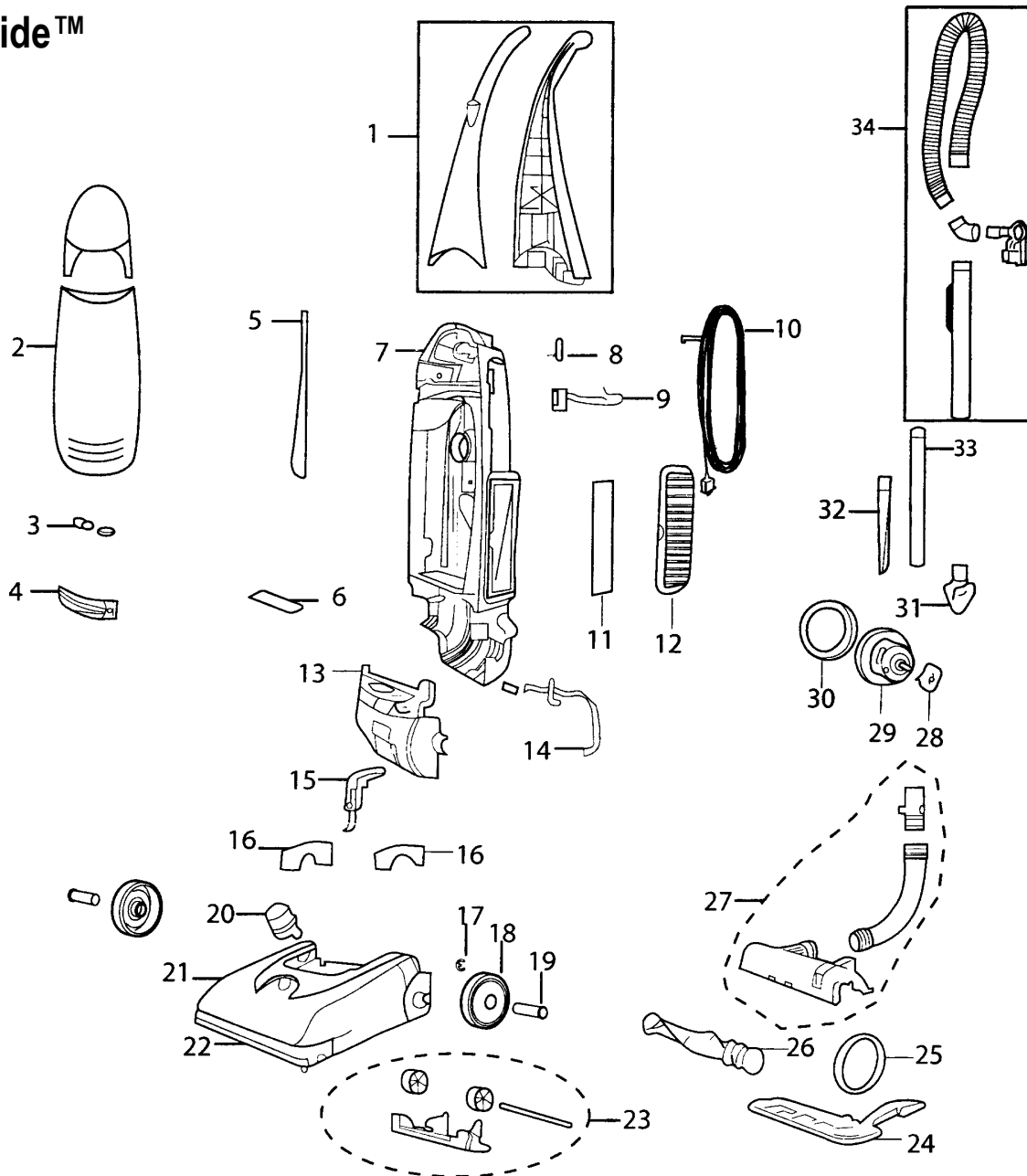


RUBBERMAID

UPRIGHT VACUUM

BSC Model 9V03

Maxi-Glide™



- | | | | |
|--------------------------|--|--------------------------|--------------------------------------|
| 1..... NLA..... | Handle assy, medium cool gray | 19..... N/A..... | Axle for rear wheel |
| 2..... BI-2031163 | Bag door, medium cool gray | 20..... BI-2031036 | Height adjustment knob |
| 3..... BI-2031007 | Lamp, incandescent | 21..... BI-2031162 | Top cover, medium cool gray |
| 4..... BI-2031008 | Lamp, window | 23..... BI-2031094 | Front whee assembly, w/axle |
| 5..... BI-2031106 | Wire cap | 24..... BI-2031091 | Access plate |
| 6..... BI-2031089 | Pre-motor filter | 25..... BI-2031093 | Belt |
| 7..... BI-2031103 | Vacuum body | 26..... BI-2031096 | brush |
| 8..... BI-2031018 | Cord release | 27..... BI-2031110 | Case drum assembly |
| 9..... BI-2031035 | Switch | 28..... BI-2031101 | Motor support |
| 10..... BI-2031159 | Power cord | 29..... BI-2031100 | Vacuum motor |
| 11..... NLA..... | Post motor filter | 30..... BI-2031107 | Motor cushion, large |
| 12..... BI-2031088 | Post motor filter grille, medium cool gray | 31..... BI-2031099 | Combo tool, upholstery/dusting brush |
| 13..... BI-2031033 | Motor cover | 32..... BI-2031063 | Crevice tool |
| 14..... BI-2031108 | Thermo harness | 33..... BI-2031022 | Extension wand |
| 15..... BI-2031044 | Lever release | 34..... BI-2031097 | Hose assembly |
| 16..... BI-2031112 | Neck brush | | |
| 17..... BI-2032548 | E-ring for rear axle | | |
| 18..... BI-2031111 | Rear wheel | | |
| | | NOT ILLUSTRATED | |
| | | BI-2031003..... | Screw for handle assembly |