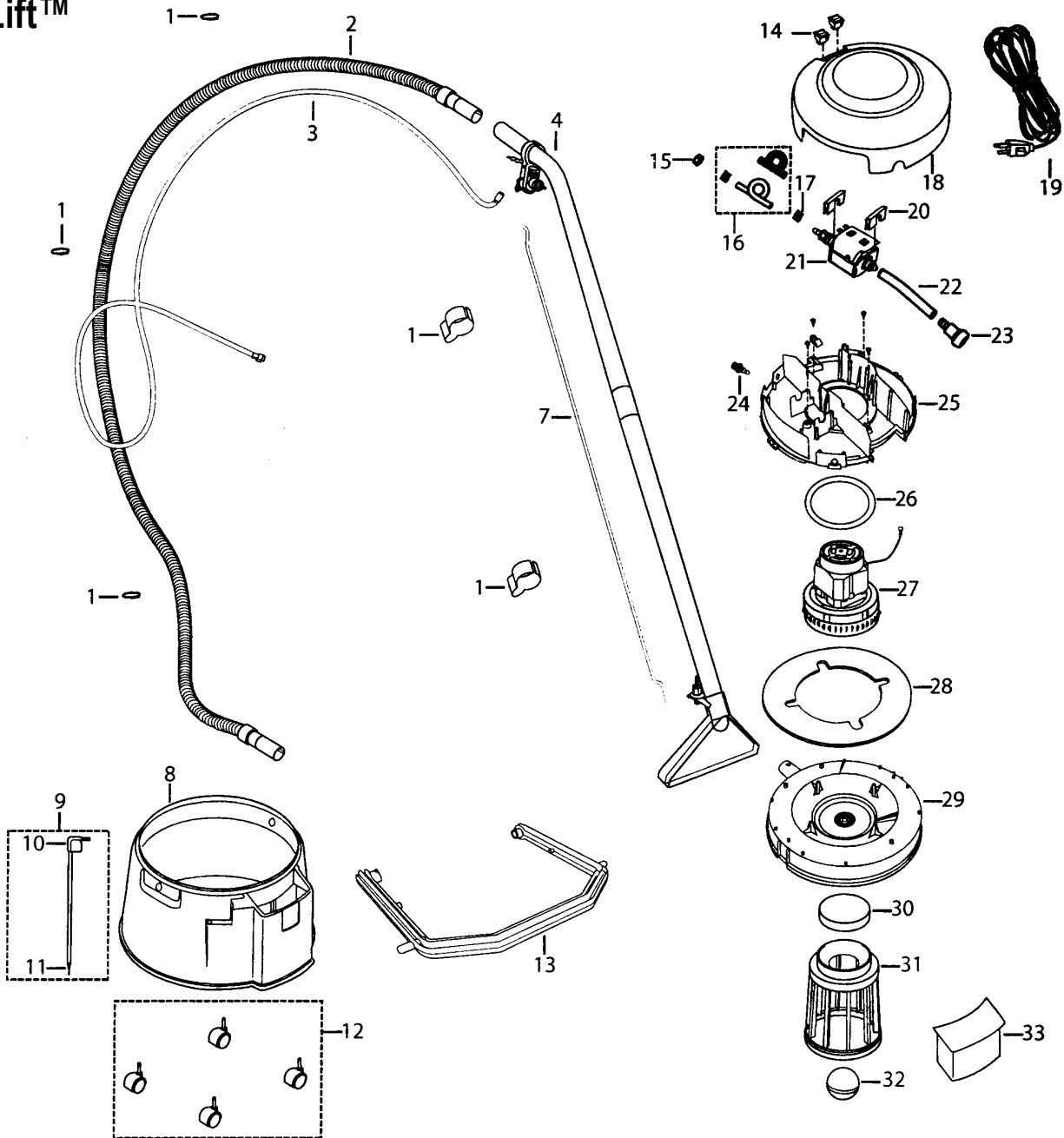


# RUBBERMAID

CDC Model 9E01

# CANISTER DEEP

Xtra-Lift™



- 1..... BI-2130207 .....Clips (2), w/4 wire wraps
- 2..... NLA.....Flex hose
- 3..... BI-5559013 .....Solution hose
- 4..... BI-2109655 .....Nozzle/wand assembly
- 7..... BI-5559008 .....Wand solution tube
- 8..... BI-2149023 .....Tank assembly, medium gray
- 9..... BI-5559011 .....Siphon tube assembly
- 10..... BI-2232669 .....Connector, inlet
- 11..... BI-5559036 .....Siphon tube filter
- 12..... BI-5559250 .....Caster, 118 light gray, 4 pack
- 13..... BI-2134419 .....Handle, black
- 14..... BI-2108878 .....Switch
- 15..... BI-2102653 .....Connector nut
- 16..... BI-2148403 .....Spring and tube assembly
- 17..... BI-5559186 .....Hose clamp
- 18..... BI-2142936 .....Cover/switch assembly, medium gray

- 19..... BI-2102888 .....Cord set
- 20..... BI-5559182 .....Pump clip
- 21..... BI-2107168 .....Pump
- 22..... BI-2139490 .....Hose inlet to tank
- 23..... BI-2132665 .....Connector inlet, female
- 24..... BI-2102661 .....Connector inlet, male
- 25..... BI-2144780 .....Motor housing and connector assembly
- 26..... BI-2107762 .....Seal, nitrile PVC
- 27..... BI-2106012 .....Vacuum motor
- 28..... BI-2103528 .....Foam filter baffle
- 29..... BI-2143906 .....Tank cover
- 30..... BI-2103533 .....Secondary filter
- 31..... BI-2131525 .....Ball cage
- 32..... BI-2130330 .....Ball float
- 33..... BI-2133009 .....Measuring cup, medium gray