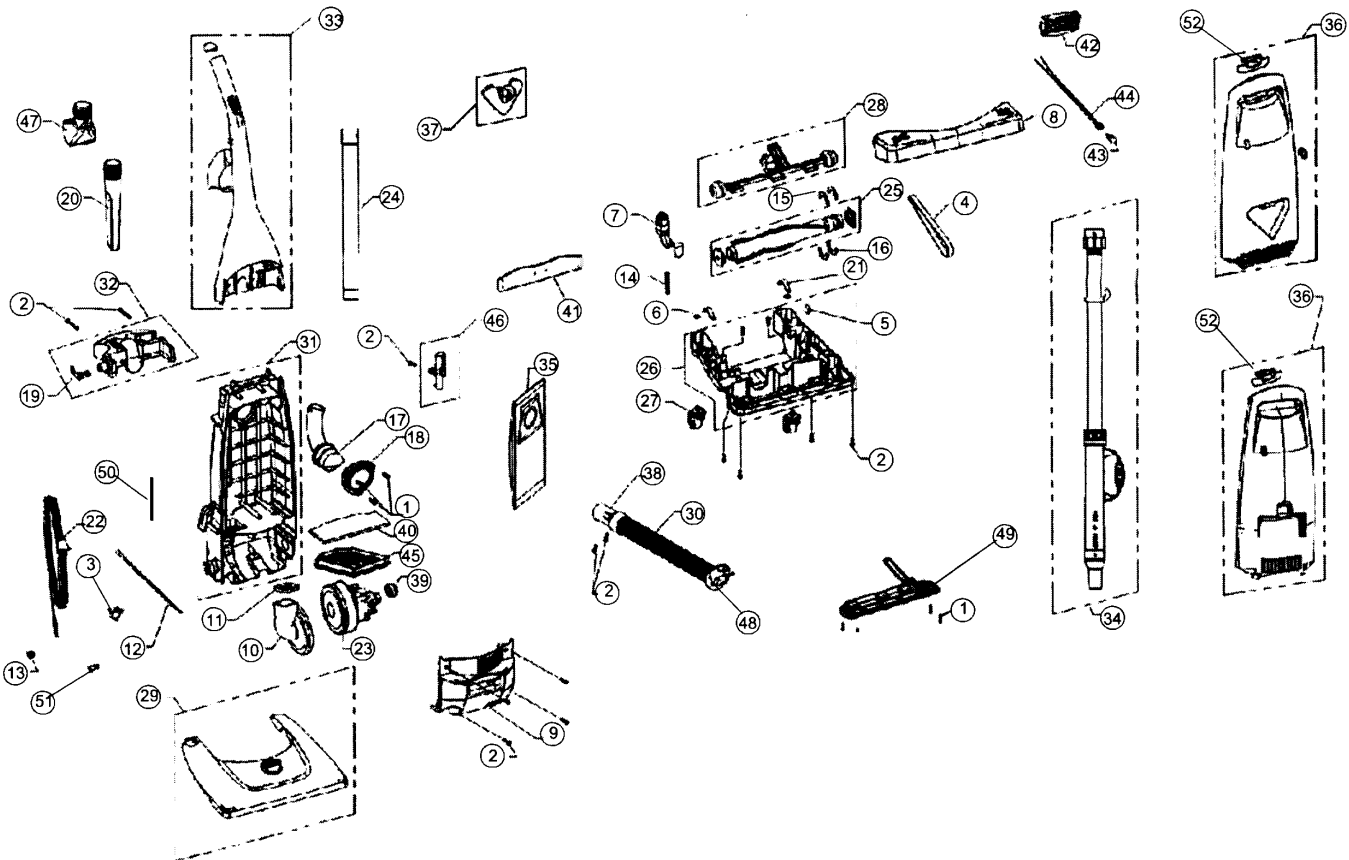


# ROYAL

# UPRIGHTS

Model: 086320C, 086325C, 086335, 086355

## SWIVEL ULTRA GLIDE



Index	Part No.	Description
1	R-250100	Screw
2	R-720430	Screw
3	R-PA0155	Switch pedal
4	R-863311	Style 4 belt
5	R-720380	Belt guide clip
6	R-863054	Caster pal nut
7	R-PA0165	Handle release pedal
8	R-PA0135	Scuff guard bumper
9	R-PA0158	Motor cover assembly
10	R-8631056	Motor air duct
11	R-863112	Motor duct seal
12	R-863168	Neon lamp
13	R-863130	Strain relief
14	R-690350	Hanacle release pedal spring
15	R-PA0016	Nozzle cover felt, short
16	R-PA0015	Belt cover felt
17	R-PA0120	Hose inlet
18	R-863337	Hose inlet retainer
19	R-920015	Cord hook
20	R-920035	Crevice tool
21	R-820351	Pivot clamp
22	R-997125	Powercord, 25 feet
23	R-630172	Motor (see note)
24	R-863360	Telescopic wand (086320C, 086325C)
	R-4028036	Extension wand (086335, 086355)
25	R-863005	Brush roll assembly
	R-863050	Brush roll assembly (domestic) (086335, 086355)
26	R-PA0100	Nozzle base assembly
27	R-863038	Caster
28	R-PA0160	Height adjustment assembly

Index	Part No.	Description
29	R-PA0125	Nozzle cover assembly (086320C)
	R-PA0125E	Nozzle cover assembly (086325C)
	R-PA0125J	Nozzle cover assembly (086335)
	R-PA0125W	Nozzle cover assembly (086355)
30	R-PA0170	Lower hose assembly
31	R-PA0145	Back panel assembly
32	R-863175	Tool caddy assembly
33	R-863235	Handle assembly
34	R-PA0405	Hose assembly
35	R-920750	Type U Microfresh Bags, 3 pack
36	R-8642051L	Front panel assembly (086320C)
	R-986314	Front panel assembly (086335)
	R-863152	Front panel assembly (086335)
		Front panel assembly (086355)
37	R-863320	Triangle tool cover assembly (086320C, 086325C)
38	R-PA0140	Wand adaptor
39	R-863105	Motor grommet
40	R-863118	Bag chamber filter - micro
41	R-863122	Front panel exhaust filter - microfresh
42	R-864225	Lens
43	R-920906	Bulb #906
44	R-863221	Socket assembly w/diode
45	R-863420	Filter support
46	R-864300	Mechanical FBI
47	R-920215	2-in-1 floor tool assembly
48	R-PA0105	Hose connector
49	R-PA0110	Nozzle guard
50	R-PA0180600	Black lead
51	R-860081	Switch
52	R-863147	Latch, front panel

PHONE: 1-800-822-7467 FAX: 847-647-0534 E-MAIL: sales@hescoinc.com WEB: www.hescoinc.com