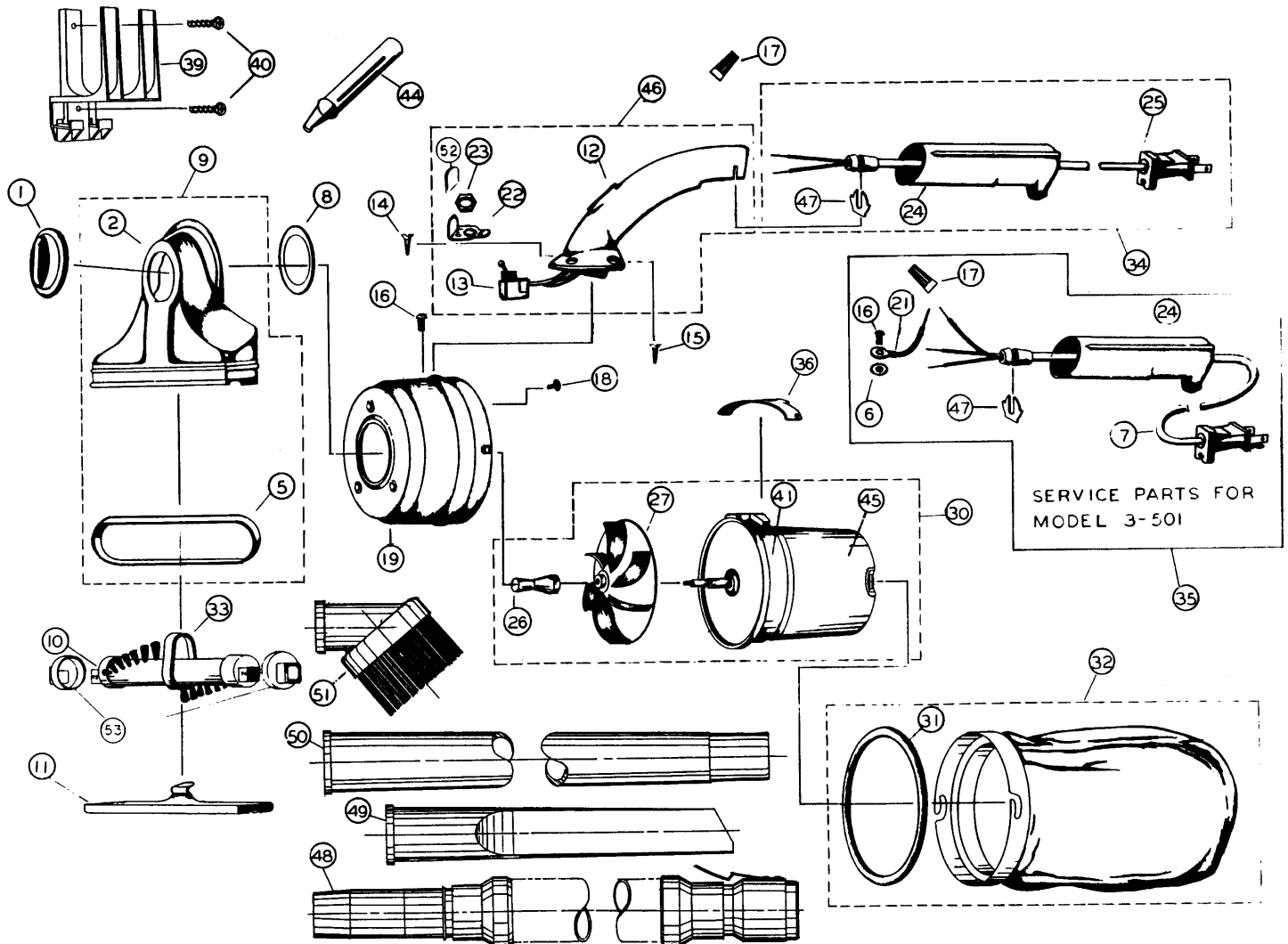


ROYAL

HAND VACS

Models: 501, 3-501, 5000 Metal Hand Vacs



- | | | | | | | | |
|---------|----------|-------|-----------------------|---------|-----------|-------|-------------------------------|
| 1..... | R-501744 | | Nozzle Plate | 27..... | R-502004 | | Fan & Insert Assy |
| 2..... | NLA | | Nozzle | 30..... | NLA | | Motor Assy |
| 5..... | NLA | | Nozzle Bumper | 31..... | NLA | | Bag Gasket |
| 6..... | R-186718 | | Lockwasher | 32..... | NLA | | Bag Assy |
| 7..... | NLA | | Cord, 35 ft | 32..... | NLA | | Bag Assy, "Royal" |
| 7..... | NLA | | Cord, 35 ft, 3-501 | 33..... | R-157260 | | Belt |
| 8..... | NLA | | Gasket | 34..... | NLA | | Cord & Grip Assy, 501 |
| 9..... | NLA | | Nozzle Assy | 35..... | NLA | | Cord & Grip Assy |
| 10..... | R-050221 | | Brush Assy | 36..... | NLA | | Insulator |
| 11..... | R-501270 | | Nozzle Guard | 39..... | NLA | | Wall Bracket |
| 12..... | NLA | | Handle | 40..... | R-503010 | | Screw Package |
| 13..... | NLA | | Switch | 41..... | NLA | | Front Motor Housing |
| 14..... | NLA | | Screw | | NLA | | Armature |
| 15..... | NLA | | Screw | | NLA | | Carbon Brush |
| 16..... | R-980743 | | Screw | 44..... | R-880262 | | Belt Lifter |
| 17..... | SS-71B | | Connector, 100 pk (R) | 45..... | R-050202 | | Rear Motor Housing |
| 18..... | NLA | | Screw | 46..... | NLA | | Handle & Switch Assy |
| 19..... | NLA | | Body Assy | 47..... | NLA | | Strain Relief Insert |
| 21..... | R-050201 | | Lead & Lug Assy | 48..... | NLA | | Hose Assy |
| 22..... | R-501302 | | Switch Guard | 49..... | R-502801 | | Crevice Tool |
| 23..... | R-153319 | | Nut, switch | 50..... | R-502776 | | Wand |
| 24..... | NLA | | Handle Grip | 51..... | R-050282 | | Dusting Brush Assy |
| 24..... | NLA | | Handle Grip | 52..... | R-5013052 | | Switch Guard Cover |
| 25..... | NLA | | Cord, 25 ft | 53..... | NLA | | Brush Bearing Cover |
| 25..... | NLA | | Cord, 25 ft | | R-050247 | | Paper Bag, 3 pack |
| 26..... | NLA | | Drive Shaft | | R-501075 | | Paper Bag, Microfresh, 3 pack |

PHONE: 1-800-822-7467 FAX: 847-647-0534 E-MAIL: sales@hescoinc.com WEB: hescoinc.com