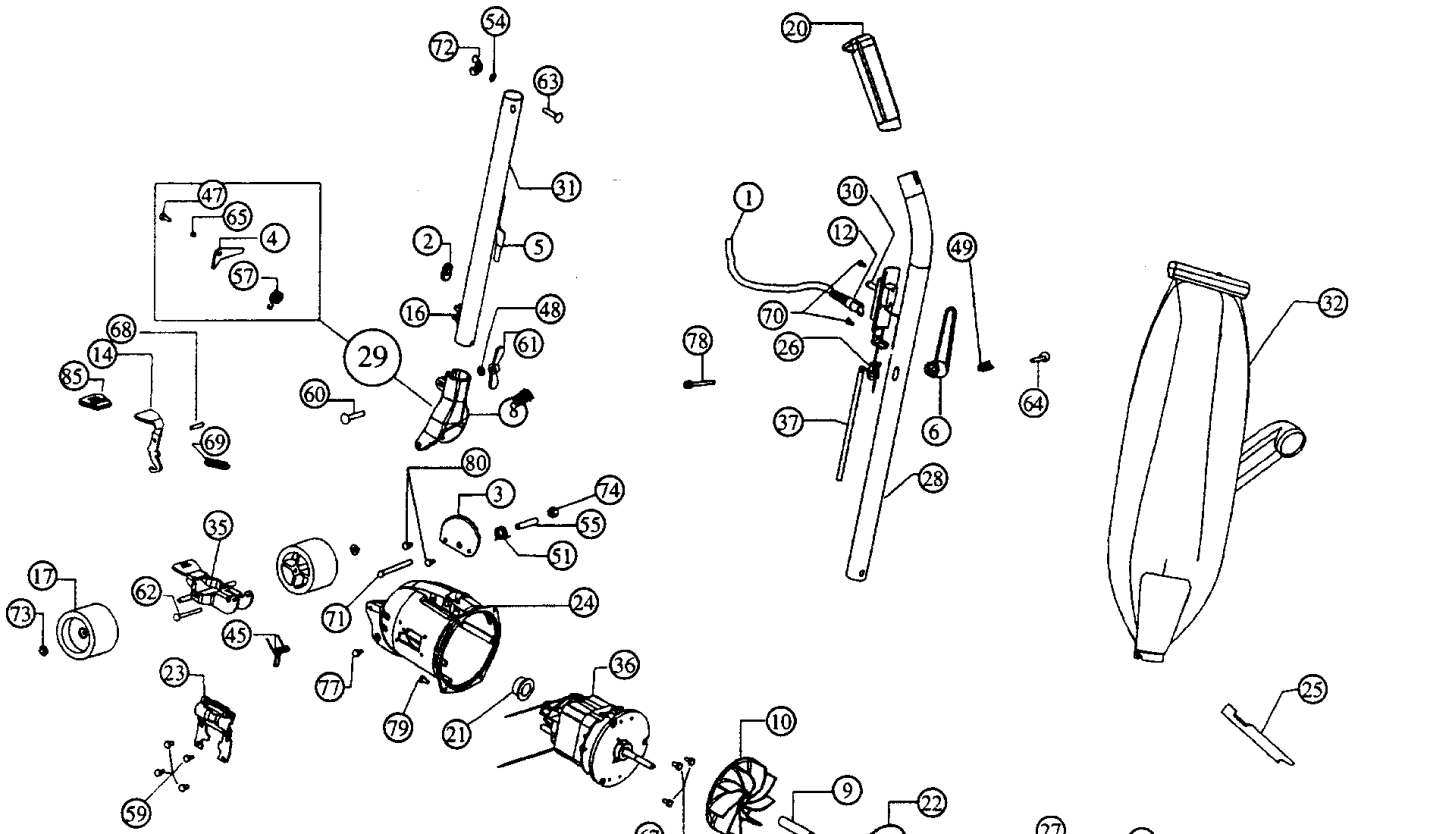
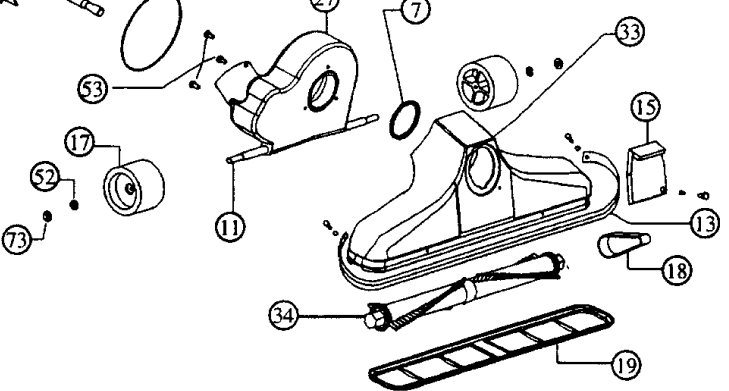


Models: 89130C, 89135C, 89137

For hardware items NOT listed in this schematic, refer to page 77.



- 1.....R-999032 Cord
- 2.....R-230324 Grommet
- 3.....R-133716 Handle Stop Plate
- 4.....R-133735 Latch
- 5.....R-259316 Cord Hook, lower
- 6.....R-259318 Cord Hook, upper
- 7.....R-2854270 Nozzle Gasket
- 8.....R-2857040 Handle Fork
- 9.....R-380261 Shaft Extension
- 10.....R-608005 Fan
- 11.....R-611101 Axle Stud
- 12.....R-322305 Strain Relief
- 13.....R-8012016 Bumper, black
- 14.....R-690715 Release Pedal
- 15.....R-6707446 Nozzle Plug, black
- 16.....R-670844 Cord Clip
- 17.....R-671705 Wheel
- 18.....R-672260 Belt
- 19.....R-672270 Nozzle Guard
- 20.....R-801314 Grip, handle, black
- 21.....R-870006 Motor Grommet
- 22.....R-870024 Motor Housing O-Ring
- 23.....R-870130 Side Plate
- 24.....R-871201 Motor Housing
- 25.....R-880262 Belt Lifter
- 26.....R-880305 Strain Relief
- 27.....R-670116 Fancase Assembly
- 28.....R-891051 Upper Handle Assembly, w/ #6,20,80
- 29.....R-028580 Handle Fork and Latch Assembly
- 30.....R-163302 Switch



- 31.....R-891061 Handle Adaptor Assembly, w/ #5,16
- 32.....R-891305 Zipper Bag Assembly, 89130C, 89135C
- 32.....R-891310 Zipper Bag Assembly, 89137
- 33.....R-671026 Nozzle Assembly, w/ #13,43
- 34.....R-673273 Brush Roll Assy, w/ speed indicator
- 35.....R-670007 Wheel Fork & Axle Assy
- 36.....R-970102 Motor Assy, 89130C, 89135C
- 37.....R-870040 Short Cord, black
- R-028537 Switch & Plate Assy
- R-249303 Switch Plate
- R-153339 Strain Relief Stamping