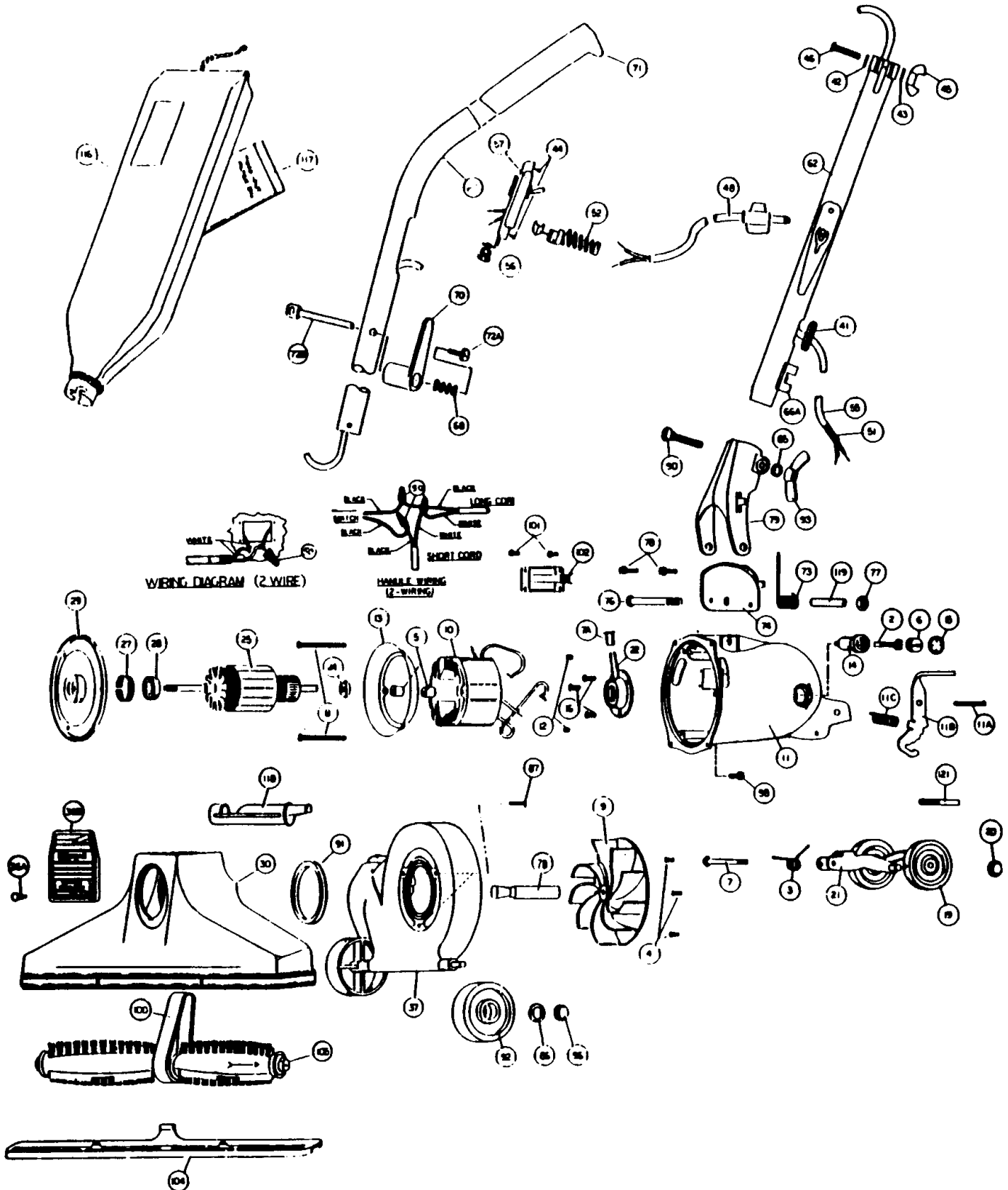


ROYAL

METAL UPRIGHTS

Models: 882



Models: 882

NLA	Motor Unit Assy	52	R-322305	Strain Relief, switch plate	
2	NLA	Carbon Brush Assy	55	NLA	Short Cord
3	R-003008	Spring, rear fork	56	R-880305	Strain Relief
4	R-670013	Screw, motor plate ret.	57	R-028537	Switch & Plate Assembly
5	R-618772	Baffle Spacer	62	R-0655330	Handle Adaptor Assembly
6	R-672103	Brush Holder & Screw Assembly	66A	R-670844	Cord, clip
7	R-311031	Screw & Washer Assembly	67	R-0887326	Upper Handle Assembly
7A	R-065028	Oiler Cap	68	R-003884	Spring
7B	R-380261	Drive Shaft	70	R-259318	Upper Cord Hook
8	R-618016	Screw, field retainer	71	R-801314	Handle Grip
9	R-608005	Fan, heavy duty	72A	R-597743	Screw
10	R-780002	Field, 120v	72B	R-884708	Eye Bolt
11	NLA	Motor Housing Assembly	73	R-004723	Spring, handle fork
11A	R-670705	Spring Pin	74	R-133714	Handle Stop Plate
11B	R-690715	Release Pedal	76	R-801708	Bolt, handle fork retainer
11C	R-672009	Spring, release pedal	77	R-801714	Nut, nylon insert
12	R-801014	Set Screw, brush holder	78	R-990104	Screw, handle stop plate
13	R-801017	Baffle Plate	79	R-028580	Handle, Fork & Latch Assembly
14	R-801019	Brush Holder	85	R-003311	Washer, handle fork clamp screw
15	R-801034	Brush Holder Protector Cap	86	R-005138	Washer, wheel retainer
16	R-801701	Screw, rear bearing retainer	87	R-023309	Screw, nozzle & fancase
	R-082105	Rear Wheel, Fork & Shaft Assy	90	R-230713	Carriage Bolt, handle clamp
19	R-880705	Wheel, 2 1/2" diam.	91	R-2854270	Gasket, nozzle sealing
20	R-801711A	Wheel Retainer	92	R-880705	Wide Front Wheel, 2 1/2" diam.
21	R-670007	Rear Fork & Shaft Assembly	93	R-285720	Wingnut, large
22	R-080126	Rear Bearing Assembly	96	R-801711A	Wheel Retainer
	R-088407	Motor Plate & Armature Assy	98	R-980743	Screw, machine-thread forming
24	R-175053	Washer, oil slinger	100	R-672260	Belt
25	R-680001	Armature, 120v	102	R-183749	Side Connection Plate
	NLA	Motor Plate & Bearing Assy	101	R-360753	Screw, side connection plate
27	R-880046	Tolerance Ring	104	R-672270	Nozzle Guard
28	R-880026	Ball Bearing	105	R-655225	Brush Roll Assembly, hex ends
29	R-884003	Motor Plate		R-059721	Brush Roll Assembly, square ends
30	R-671026	Nozzle Assembly	116	R-088242	Bag Assembly, zipper
35	NLA	Nozzle Casting	117	R-3067247	Paper Bag, 3 pack
36A	NLA	Rivet, nozzle plug	117	R-671075	Paper Bag, Microfresh, 3 pack
36B	R-670744B	Nozzle Plug, grey	117	R-66247	Paper Bag, 10 pack
37	R-101161	Fancase Assembly	117	745	Paper Bag, 3 pack (R)
	NLA	Handle & Cord Assembly	118	R-880262	Belt Lifter
41	R-230324	Grommet	119	R-110773	Insert, motor housing
42	R-003311	Lockwasher	121	R-1300086	Cover, lever, black
43	R-023311	Lockwasher	121	R-130008B	Cover, lever, grey
44	R-801701	Screw, switchplate			
45	R-801710	Wingnut, small			
46	R-801712	Screw, adaptor clamp			
	NLA	Switch & Cord Assembly			
48	R-088340	Cord & Plug Assembly			
50	R-259761	Wire Connector			
51	NLA	Cord Protecting Sleeve			