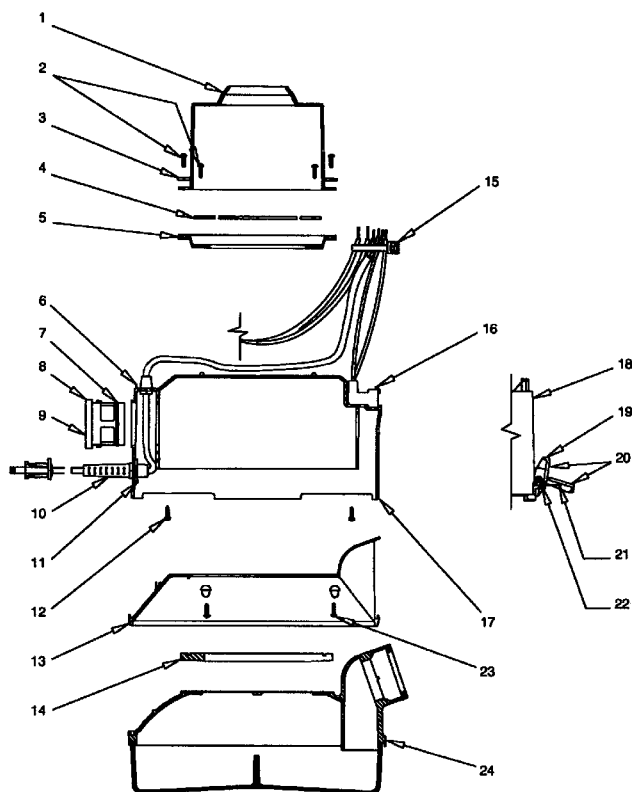


CAP AND CAP COVER ASSEMBLY

- RX-R3240 Cap & Cap Cover Assy, 4-hole top & bottom
- RX-R3584 Cap & Cap Cover Assy, w/o baffle
- 1.....RX-R2721 Handle Applique Top
- 2.....RX-R3160 Cap Cover Assy, includes handle pad, handle applique (top and side)
- 3.....RX-R2584 Handle Pad
- 4.....RX-R4369 Cap Assy, includes cap applique
- 5.....RX-H515 Screw, plastic
- 6.....RX-R3127 Switch, snap-in
- RX-R2728 Switch, prior to S.N. 6171010
- 7.....RX-R2722 Handle Applique, side
- 8.....RX-R5403 Cap Applique, fits all models
- 8.....RX-R2592 Cap Applique, for caps made before 6/93
- 9.....RX-R4373 Outer Baffle Assembly

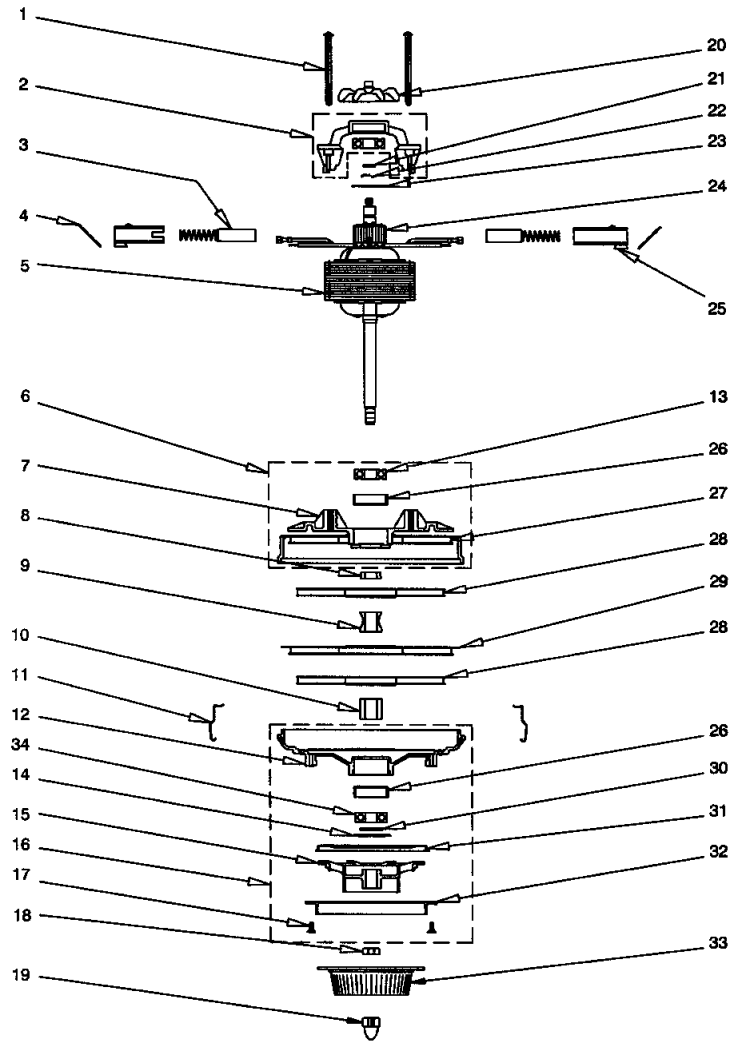


MAIN HOUSING AND WATERPAN ASSEMBLY

- 1.....RX-R2582 Motor Shroud
- 2.....RX-H556 Screw, plastic
- 3.....RX-R2172 Clamp Ring Segment
- 4.....RX-R2585 Clamp Ring Segment
- 5.....RX-R2701 Motor Support Ring
- 6.....RX-R2607 Strain Relief Clip
- 7.....RX-R4148 "O" Ring, for closure cover
- 8.....RX-R3845 Closure Cover, w/ applique & "O" ring
- 8.....RX-R2708 Closure Cover Assy, prior to S.N. 6878827
- RX-R2706 Latch Assy, for for RX-R2708
- 9.....RX-R2772 Applique, closure cover
- 10.....RX-R4052 Cord, s/n 0000001-7000000
- 11.....RX-R2605 Strain Relief Support
- 12.....RX-H515 Screw, main housing to cap
- 13.....RX-R5080 Baffle Plate Assy
- 14.....RX-R2702 Motor Gasket
- 15.....RX-R2380 Cable Tie
- 16.....RX-R3184 Power Nozzle Receptacle
- 17.....N/A Main Housing Sub-Assembly
- 18.....RX-R4201 Applique, main housing
- 18.....RX-R2586 Applique, main housing, glossy
- 19.....RX-R6178 Latch Only, w/o applique, after & including S.N. 8000000
- 19.....RX-R3833 Latch Assy, w/ applique, up to S.N. 8000000
- 20.....RX-R4203 Applique, latch, up to S.N. 8000000
- 21.....RX-R2654 Latch Spring
- 22.....RX-R1566 Latch Pin
- 23.....RX-H491 Screw, plastic
- 24.....RX-R6854 Water Pan Assy

MOTOR ASSEMBLY

	RX-R3242	Motor Assy
1.....	RX-H545	Screw, plastic
2.....	RX-R2677	Bearing Bridge Assy
3*.....	RX-R5125	Carbon Brush
3.....	RX-R2421	Carbon Brush, up to S.N. 7520714
4.....	RX-R2703	Brush Holder Clip
5.....	RX-R3159	Field Assy
6.....	RX-R2773	Motor Base & Bearing Assy
7.....	RX-R2636	Motor Base Assy
8.....	RX-R2680	Fan Spacer, top
9.....	RX-R2681	Fan Spacer, middle
10.....	RX-R2679	Fan Spacer, lower
11.....	RX-R2682	Stage Housing Clip
12.....	RX-R2774	Lower Housing & Inner Baffle Plate Assy
13.....	RX-R1981	Ball Bearing
14.....	RX-R2630	Bearing Retainer Shield
15.....	RX-R4101	Spider
16.....	RX-R4612	Lower Housing Assy
17.....	RX-H542	Screw
18.....	RX-H426	Nut, armature shaft
19.....	RX-H555	Separator Nut, flat
20.....	RX-R3277	Fan, motor
21.....	RX-R2936	"O" Ring
22.....	RX-R2525	Wave Washer
23.....	RX-R2946	Insulator Washer
24*.....	RX-R5319	Armature Assy
25*.....	RX-R5124	Brush Holder
25.....	RX-R2700	Brush Holder, up to S.N. 7520714
26.....	RX-R1987	Bearing Boot
27.....	RX-R2613	Upper Stage Assy
28.....	RX-R2609	Fan Assy
29.....	RX-R2617	Lower Stage Assy
30.....	RX-R1979	Slinger Ring
31.....	RX-R2698	Outer Baffle Plate
32.....	RX-R747	Motor Gasket Flange
33.....	RX-R4100	Separator
34.....	RX-R5238	Ball Bearing



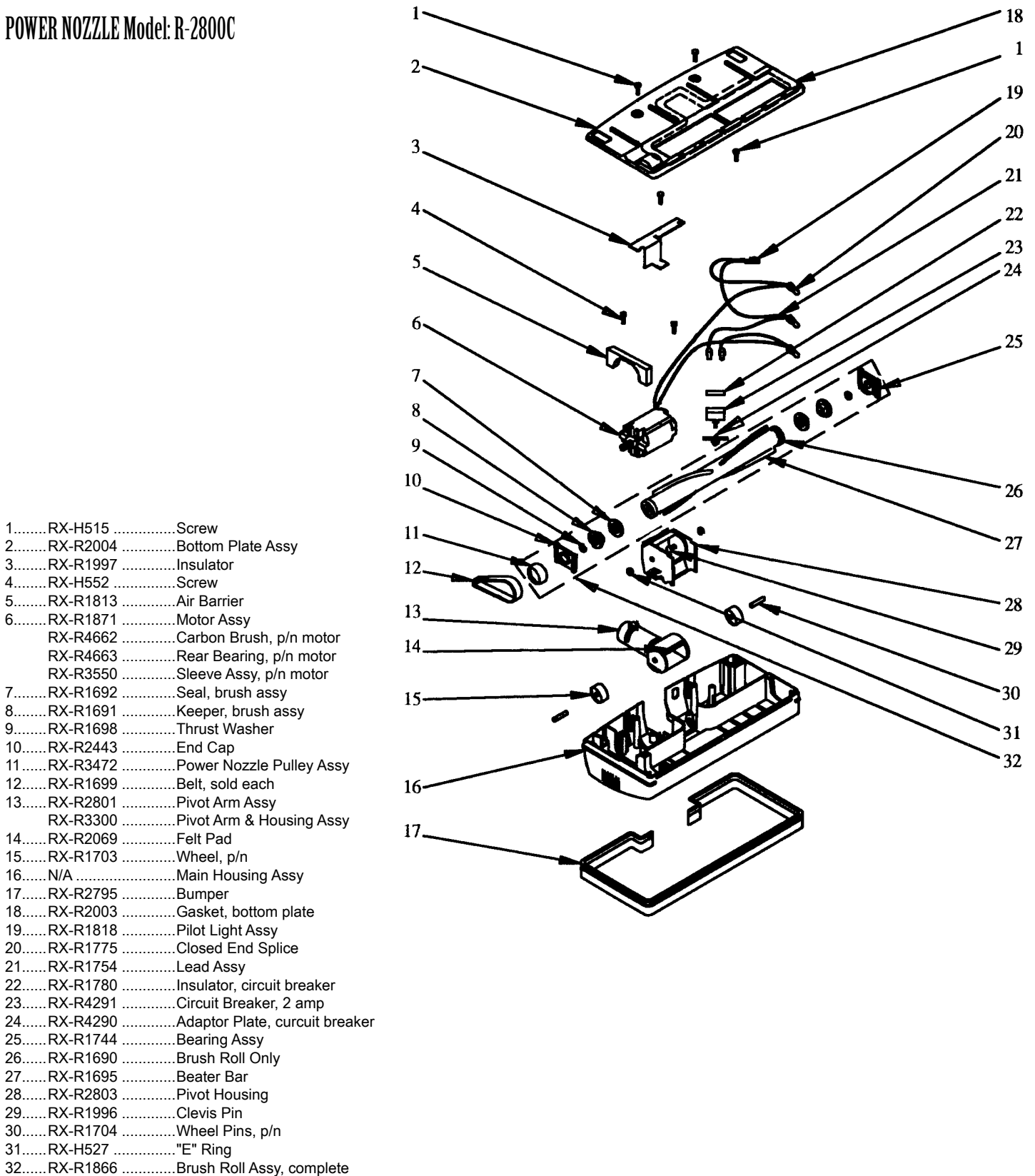
* Effective 3/29/93, RX-R2598 Armature is obsolete and is replaced by RX-R5319 Armature. RX-R5124 Tall Brush Holder and RX-R5125 Tall Carbon Brushes are not to be used with RX-R2598 Armature. RX-R2677 Bearing Bridge Assy produced after 9/92 will accept RX-R5124 Tall Brush Holders and RX-R5125 Tall Carbon Brushes.

ATTACHMENTS / OPTIONAL EQUIPMENT

RX-R933.....	Straight Wand
RX-R2807.....	Curved Wand
RX-R2792.....	Suction Control Sleeve
RX-R934.....	Bottom Wand
RX-R4530.....	Floor Tool Assembly
RX-R4659.....	Body w/ Logo Only, floor tool
RX-R2540.....	Bristles, floor tool
RX-R2816.....	Guard, floor tool
RX-R2556.....	Crevice Tool
RX-R12439.....	Dusting Brush Assy
RX-R192.....	Bristles, dusting brush
RX-R3076.....	Body w/ Logo Only, dusting brush
RX-R2535.....	Upholstery Tool Assy
RX-R2537.....	Brush, upholstery tool
RX-R3079.....	Body w/ Logo Only, upholstery tool
N/A.....	Rainbow Logo

RX-R4142.....	Coil Cleaner
RX-R3358.....	Inflator Tool Assy
RX-R2709.....	Attachment Caddy
RX-R3816.....	Pin, caddy swivel arm
RX-H564.....	Spring, caddy swivel arm
RX-H565.....	E-Ring, caddy swivel arm
RX-R2785.....	Hose, w/ molded tip, all except D4CSE
RX-R2784.....	Hose Coupling Assy
RX-R579.....	Hose Tip Only
RX-R841.....	Separator Brush
RX-R2811.....	Dolly, w/o casters
RX-R2812.....	Caster, sold each
RX-R3055.....	Applique, dolly, glossy
N/A.....	Applique, dolly, satin

POWER NOZZLE Model: R-2800C

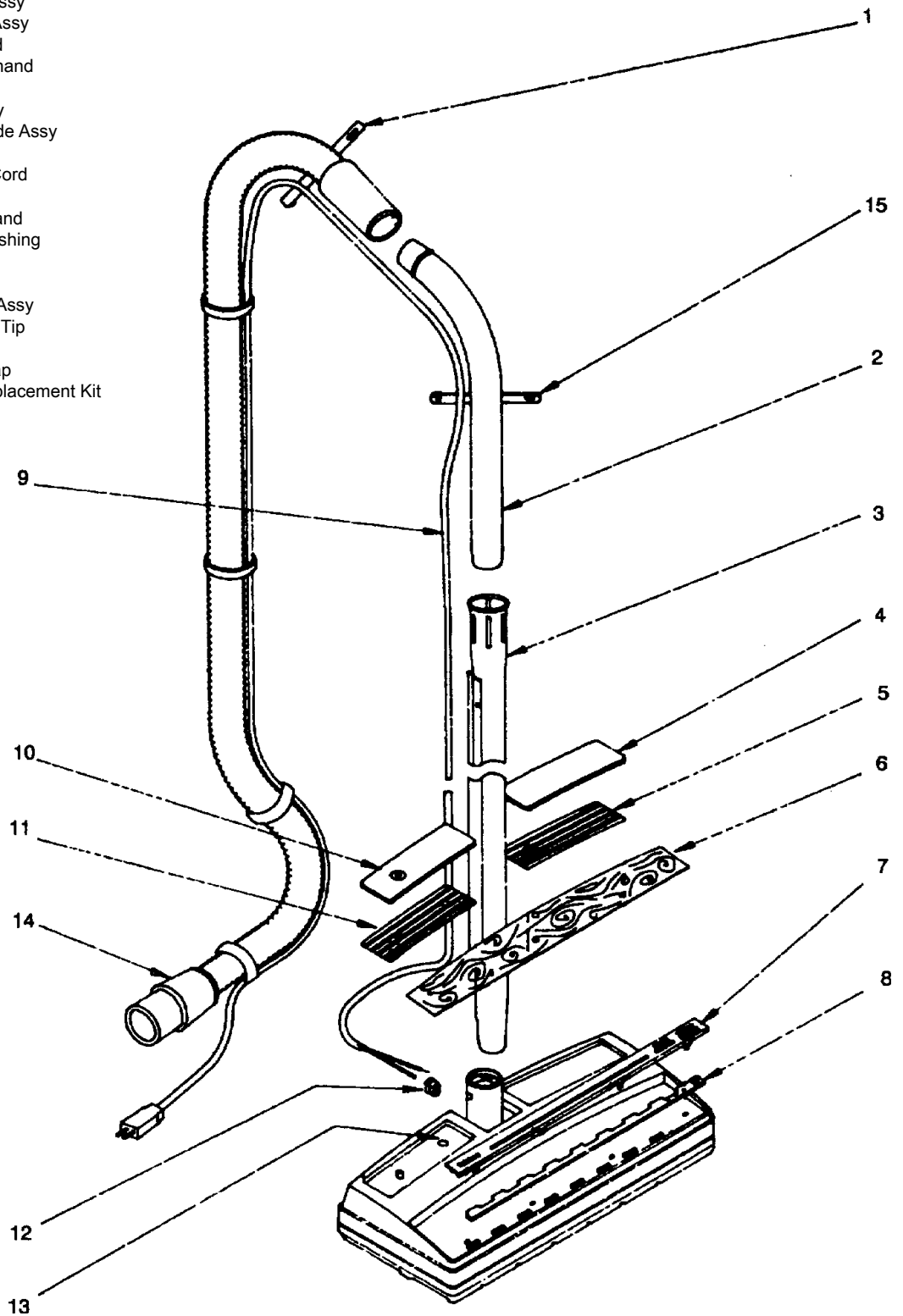


- 1.....RX-H515Screw
- 2.....RX-R2004Bottom Plate Assy
- 3.....RX-R1997Insulator
- 4.....RX-H552Screw
- 5.....RX-R1813Air Barrier
- 6.....RX-R1871Motor Assy
 RX-R4662Carbon Brush, p/n motor
 RX-R4663Rear Bearing, p/n motor
 RX-R3550Sleeve Assy, p/n motor
- 7.....RX-R1692Seal, brush assy
- 8.....RX-R1691Keeper, brush assy
- 9.....RX-R1698Thrust Washer
- 10.....RX-R2443End Cap
- 11.....RX-R3472Power Nozzle Pulley Assy
- 12.....RX-R1699Belt, sold each
- 13.....RX-R2801Pivot Arm Assy
 RX-R3300Pivot Arm & Housing Assy
- 14.....RX-R2069Felt Pad
- 15.....RX-R1703Wheel, p/n
- 16.....N/AMain Housing Assy
- 17.....RX-R2795Bumper
- 18.....RX-R2003Gasket, bottom plate
- 19.....RX-R1818Pilot Light Assy
- 20.....RX-R1775Closed End Splice
- 21.....RX-R1754Lead Assy
- 22.....RX-R1780Insulator, circuit breaker
- 23.....RX-R4291Circuit Breaker, 2 amp
- 24.....RX-R4290Adaptor Plate, curcuit breaker
- 25.....RX-R1744Bearing Assy
- 26.....RX-R1690Brush Roll Only
- 27.....RX-R1695Beater Bar
- 28.....RX-R2803Pivot Housing
- 29.....RX-R1996Clevis Pin
- 30.....RX-R1704Wheel Pins, p/n
- 31.....RX-H527"E" Ring
- 32.....RX-R1866Brush Roll Assy, complete

POWER NOZZLE

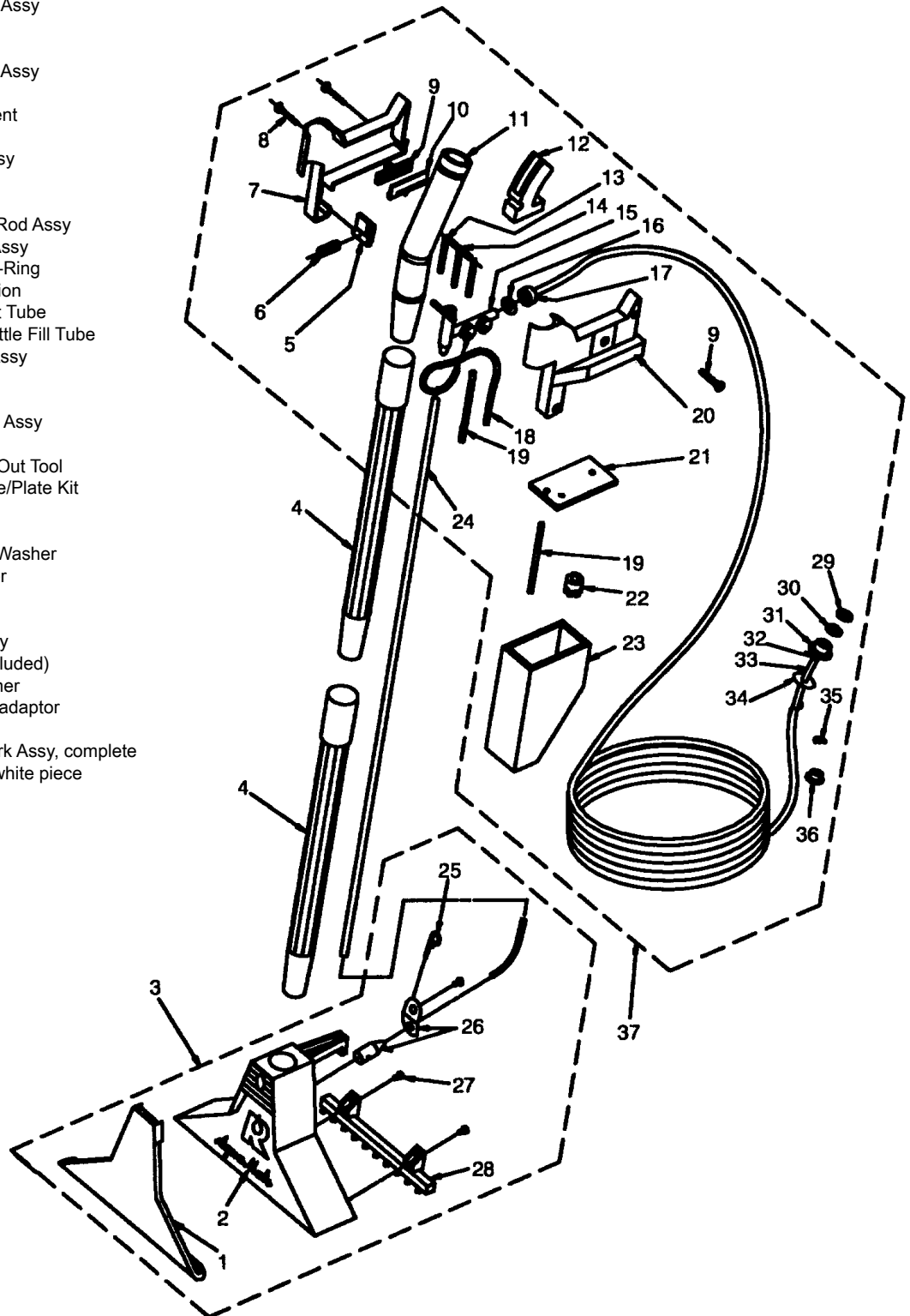
Model: R-2800C

- 1.....RX-R1045Hose Cord Strap
- 2.....RX-R1999Curved Wand Assy
- 3.....RX-R5066Straight Wand Assy
- 4.....RX-R2789Lens, right-hand
- 5.....NLAApplique, right-hand
- 6.....N/AApplique, satin
- 6.....RX-R2793Applique, glossy
- 7.....RX-R2775Slide Valve Guide Assy
- 8.....RX-R1990Slide Valve
- 9.....RX-R2496Power Nozzle Cord
- 10.....RX-R2685Lens, left-hand
- 11.....RX-R2797Applique, left-hand
- 12.....RX-R4053Strain Relief Bushing
- 13.....RX-R1863Pilot Light Lens
- 14.....RX-R6621Hose Assembly
 RX-R2784Hose Coupling Assy
 RX-R4718Hose & Molded Tip
 RX-R579Molded Tip
- 15.....RX-R1045Wand Cord Strap
 RX-R3520Cord Guide Replacement Kit



AQUAMATE

- 1.....RX-R2269Front Plate
- 2.....RX-R3581Aquamate Head Decal
- 3.....N/AExtraction Head Assy, complete
- 4.....RX-R2846Straight Wand Assy
- 5.....RX-R2322Bottle Latch
- 6.....RX-R2321Latch Spring
- 7.....RX-R4621Right Housing Assy
- 8.....RX-H537Screw
- 9.....RX-R2326Slide Adjustment
- 10.....RX-R2318Pinch Arm
- 11.....RX-R2849Bent Wand Assy
- 12.....RX-R2340Trigger
- 13.....RX-R6977Trigger Spring
- 14.....RX-R2571Valve Cpntrl Rod Assy
- 15.....RX-R2400Fluid Control Assy
- 16.....RX-R2401Hose Conn. O-Ring
- 17.....RX-R2402Hose Connection
- 18.....RX-R2602Detergent Inlet Tube
- 19.....RX-R2483Overflow & Bottle Fill Tube
- 20.....RX-R4622Left Housing Assy
- 21.....RX-R2317Foam Gasket
- 22.....RX-R7351Flow Control
- 23.....N/ASolution Bottle Assy
- 24.....RX-R202640" tube
- 25.....N/ANozzle Clean-Out Tool
- 26.....RX-R2260Sprayer Nozzle/Plate Kit
- 27.....RX-H491Screw
- 28.....RX-R2262Brush Assy
- 29.....RX-R2080Long Adaptor Washer
- 30.....RX-R7356Screen Washer
- 31.....RX-R6138Stem Nut
- 32.....RX-R2040Tubing Clamp
- 33.....RX-R465150 ft Hose Assy
- 33.....RX-R461950 ft Hose (included)
- 34.....RX-R2065Anti-Drip Washer
- 35.....RX-R2079Washer, short adaptor
- 36.....RX-R2045Adaptor, short
- 37.....RX-R4617Control Network Assy, complete
- RX-R2042Swivel Stem, white piece



RX-R5426
Stainless Steel Wands, 2 used