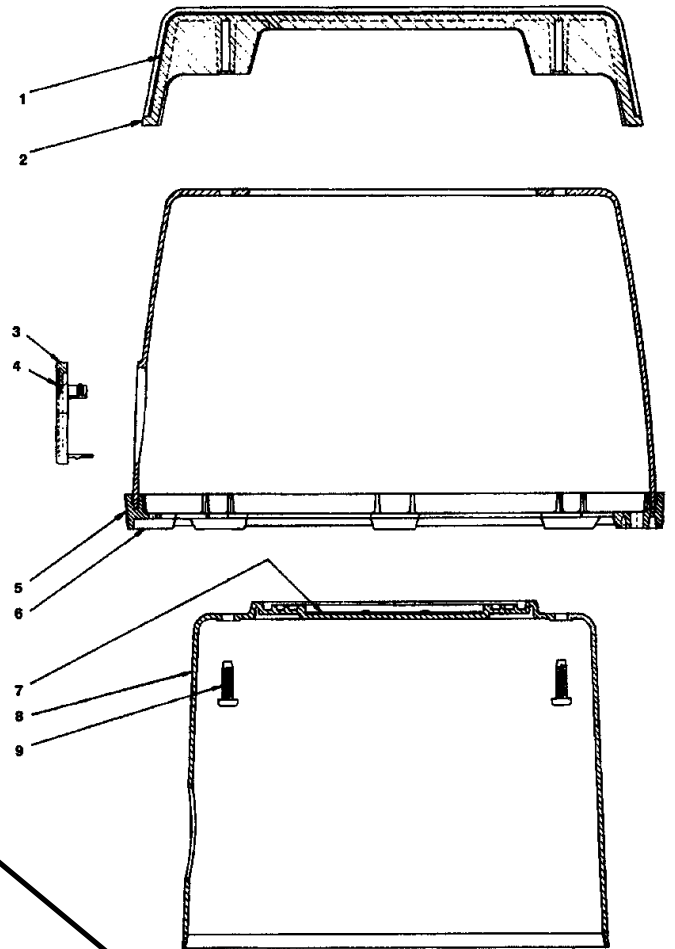


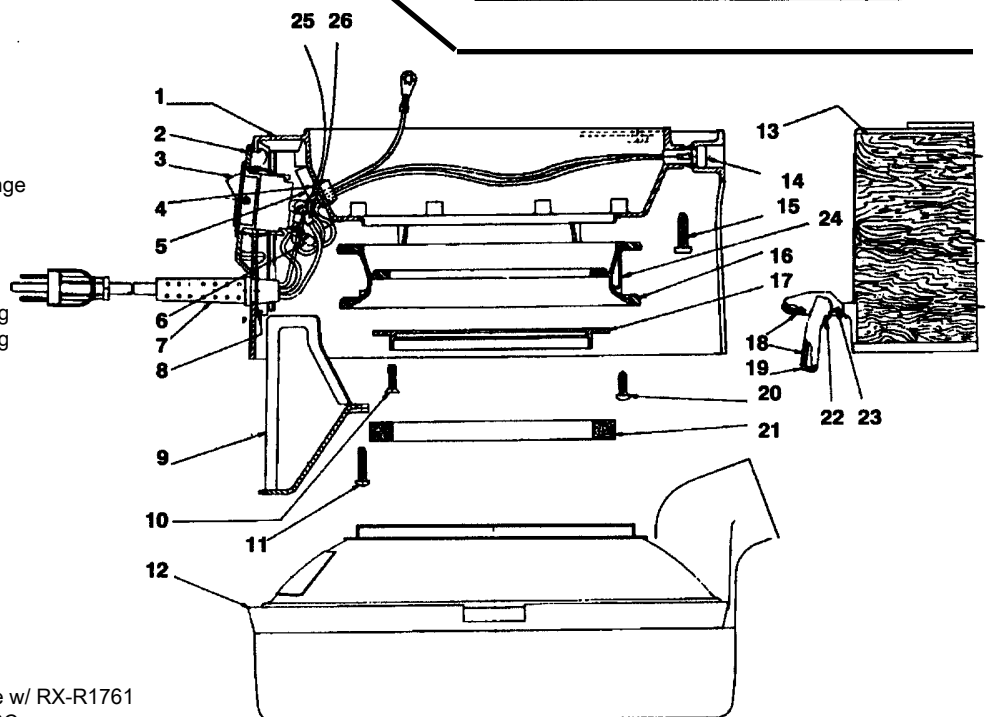
CAP AND CAP COVER ASSEMBLY

- RX-R1530.....Cap & Baffle Assembly
- 1.....RX-R1567Decal, handle
- 2.....RX-R1574Handle Assy
- 3.....RX-R1652Closure Cover Assy
- 4.....RX-R1569Closure Cover Assy
- 5.....RX-R1568Cap Ring Decal
- 6.....RX-R1822Cap & Cap Ring Assy
- 7.....RX-R1570Rainbow - Baffle Decal
- 8.....RX-R1573Baffle Assy
- 9.....RX-H489Screw, cap handle
- RX-H519Rivet, closure cord to cap ring
(blower cord to top housing)



MAIN HOUSING AND WATERPAN ASSEMBLY

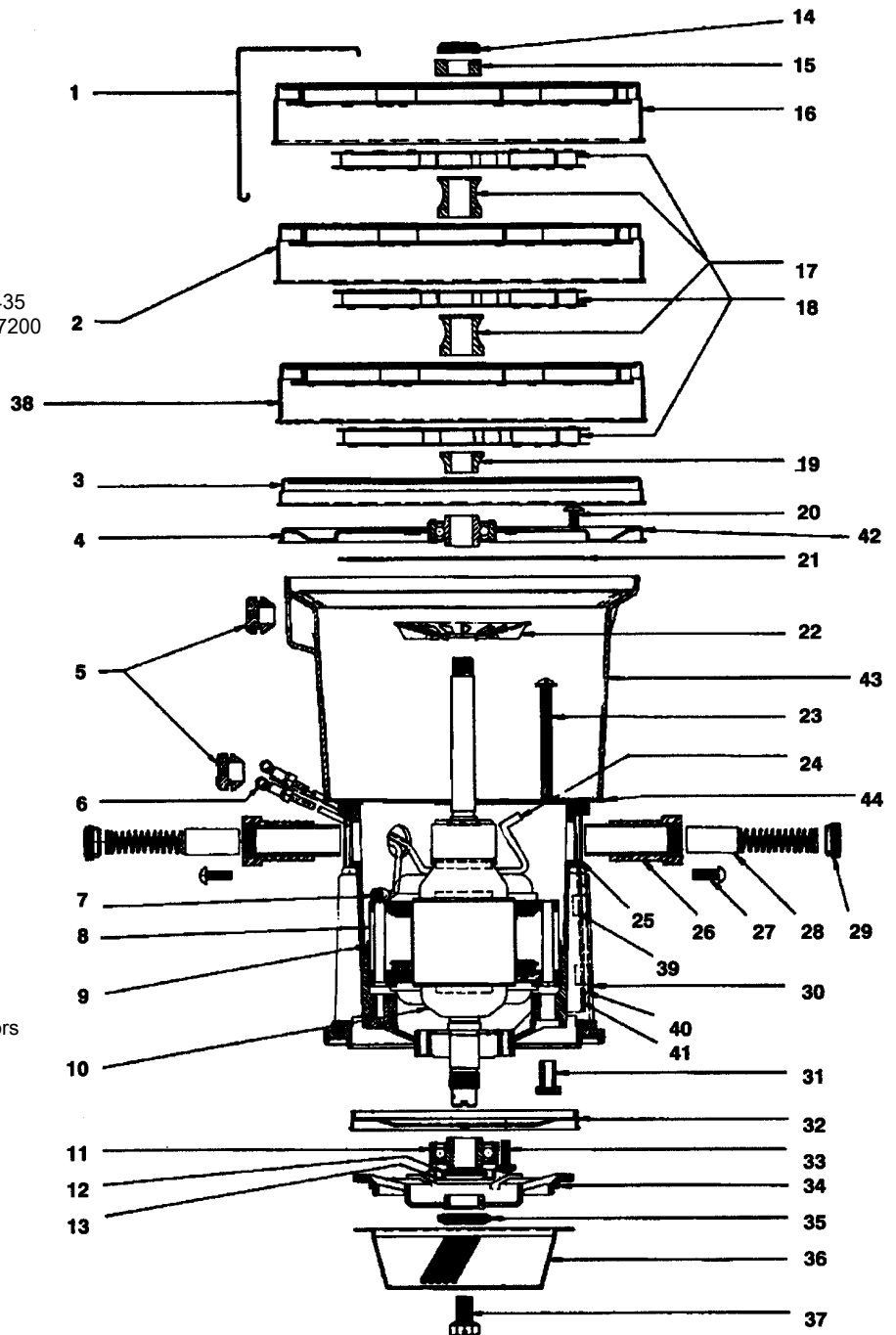
- 2.....RX-R1644Switch Bracket
- 3.....RX-R1645Switch, snap-in
- 4.....RX-R1158Open/Closed Bushing
- 5.....RX-R1734Insulation Boot, switch
- 6.....RX-R1642Terminal
- 7.....RX-R1753Cord, 3 wire, w/ plug
- 8.....RX-R1528Strain Relief Support
- 9.....RX-R1526Switch Cover
- 10.....RX-H378Screw, motor gasket flange
- 11.....RX-H492Screw, switch cover
- 12.....RX-R1556Water Pan Assy, 2 quart
- 12.....RX-R1743Water Pan Assy, 4 quart
- 13.....RX-R1572Applique, main housing
- 14.....RX-R1582Receptacle Assy, 2 prong
- 14.....RX-R1761Receptacle Assy, 3 prong
- 15.....RX-H489Screw, cap to housing
- 16.....RX-R599Motor Support Ring
- 17.....RX-R747Motor Gasket Flange
- 18.....N/AApplique, latch
- 19.....RX-R3833Latch Assy, w/ applique
- 20.....RX-H491Screw, clamp ring
- 21.....RX-R912Gasket, motor
- 22.....RX-R1585Spring, latch
- 23.....RX-R1566Pin, latch
- 24.....RX-R598Outer Clamp Ring
- 25.....RX-H511Screw, switch terminal
- 26.....RX-R1642Terminal, cord
- RX-R1225Eyelet Terminal
- RX-H519Pop Rivet, D3A only, use w/ RX-R1761
- RX-R1518Dolly Assy, complete, D3C



MOTOR ASSEMBLY

Model: R-1767, beginning serial number 4388126,
6/30/80, replaced by R-2104

- 1.....RX-R1423Stage Housing Clip
- 2.....RX-R1419Stage Assembly
- 3.....RX-R1418Air Guide
- 4.....RX-R1411Bearing Plate Assy
- 5.....RX-R665Grommet
- 6.....RX-R1853Terminal, insulated
- 7.....RX-H487Cable Clamp
- 8.....RX-R1435Field Assy, revised, up to
S.N. 4545550
- 8.....RX-R2424Field Assy
- 9.....RX-R1454Field Insulator
- 10*.....RX-R1426Armature Assy, use w/ RX-R1435
- 10.....RX-R1909Armature Assy, up to S.N. 4607200
- 11.....NLALower Bearing
- 12.....RX-R147Slinger Ring
- 13.....RX-R146Bearing Shield
- 14.....RX-H306Shaft Nut
- 15.....RX-R1486Spacer
- 16.....RX-R1421Stage Assy, upper
- 17.....N/AFan Spacer, middle
- 18.....RX-R675Fan Assembly
- 19.....RX-R1416Fan Spacer, lower
- 20.....RX-H475Screw, bearing plate
- 21.....RX-R1415Gasket, bearing plate
- 22.....RX-R1469Cooling Fan, armature
- 23.....RX-H535Screw, field
- 24.....RX-R1578Terminal, brush (flag)
- 24.....RX-R2423Terminal, brush (eyelet)
- 25.....RX-R1455Gasket, brush holder
- 26.....RX-R2490Brush & Holder Kit
- 27.....RX-H309Screw, brush holder
- 28.....RX-R1552Carbon Brush & Spring
- 29.....RX-R663Screw Cap
- 30.....RX-R1448Motor Housing
- 31.....RX-R1449Insulator, Fid Scr Insert
- 32.....RX-R1424Air Deflector
- 33.....RX-H308Screw, lower bearing
- 34.....RX-R1425Spider
- 35.....RX-H13Shaft Nut
- 36.....RX-R312Separator, this is the new style
w/ large hole. Older separators
will not fit newer motors.
- 37.....RX-R3450Screw, separator
- 38.....RX-R1752Stage Assy, lower, w/ ground
- 39.....RX-R1473Retainer, cover plate
- 40.....RX-R1471Cover Plate
- 41.....RX-R1470Gasket, cover plate
- 42.....RX-R1794Gasket
- 43.....RX-R1407Shell, motor housing
- 44.....RX-R1795Gasket, lower shell
RX-R1425Spider



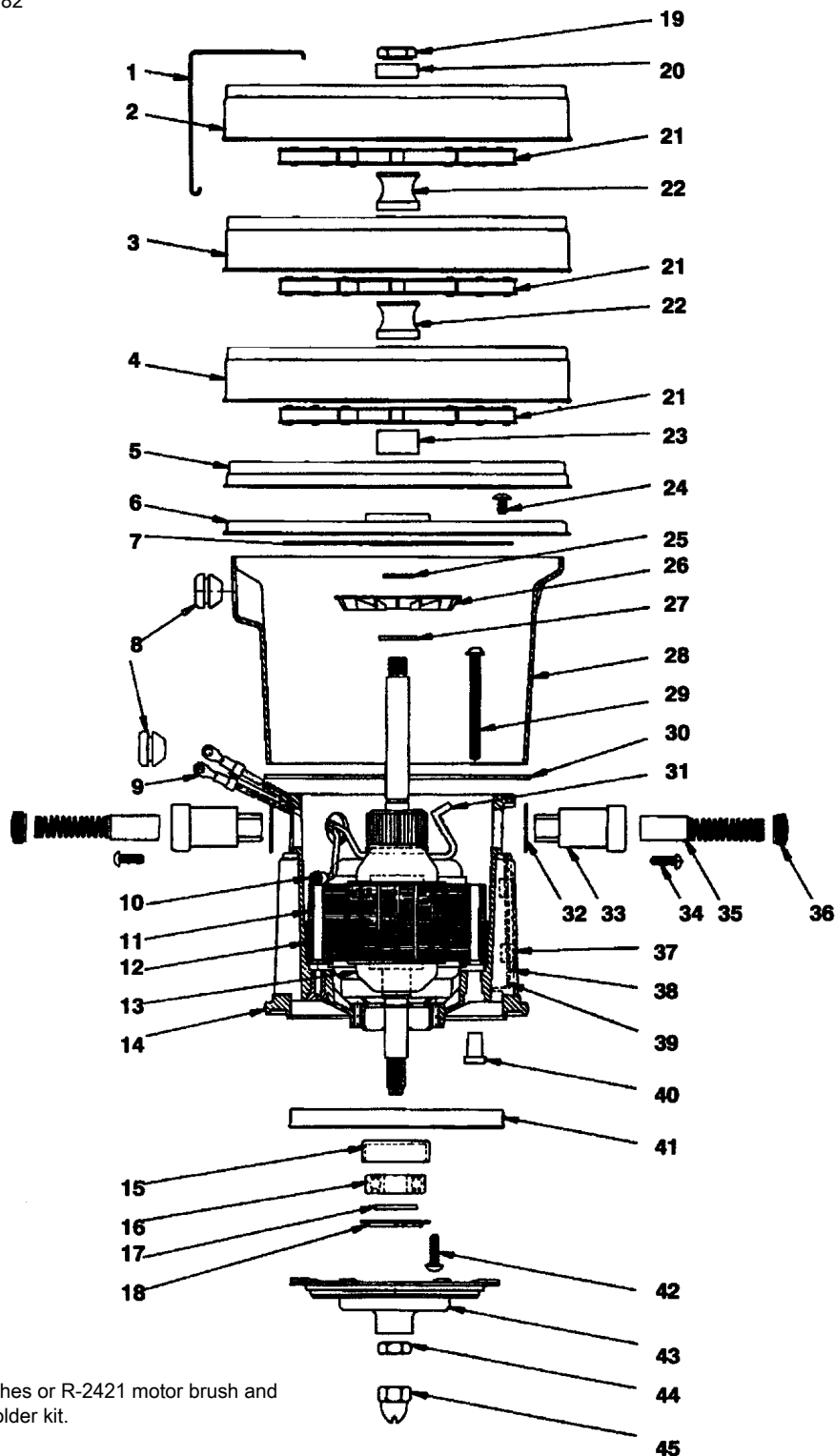
Note: when replacing old style R-1910 field with RX-R2424,
you must include RX-R2490 brush and holder kit.

The armature and bearing construction were changed in order to provide a high-quality motor bearing. The following parts cannot be interchanged with previous constructions: armature assy, bearing plate assy, ball bearing, bearing boot, spider, bearing shield, slinger ring, lock nut (spider) acorn nut, motor fan, fan spacer, lower middle and upper fan spacers and fan assy.

CURRENT MOTOR ASSEMBLY

Model: R-2104, beginning serial number 4607000, 6/5/82

- RX-R2104 Motor, complete
- 1.....RX-R1423 Stage Housing Clip
- 2.....RX-R1421 Stage Assy, upper
- 3.....RX-R1419 Stage Assy, middle
- 4.....RX-R1752 Stage Assy, lower, w/ ground
- 5.....RX-R1418 Air Guide
- 6.....RX-R1991 Bearing Plate Assy
- 7.....RX-R1415 Gasket, bearing plate
- 8.....RX-R665 Grommet
- 9.....RX-R1642 Terminal, insulated, revised
- 9.....RX-R1853 Terminal, after S.N. 4838444 & S.N. 4826642 - 4830159
- 10.....RX-H487 Cable Clamp
- 11*RX-R2424 Field Assy
- 12.....RX-R1454 Insulator, field
- 13.....RX-R1974 Armature Assy
- 14.....RX-R1448 Motor Housing
- 15.....RX-R1987 Bearing Boot
- 16.....RX-R1981 Ball Bearing
- 17.....RX-R1979 Slinger Ring
- 18.....RX-R1980 Bearing Shield
- 19.....RX-H306 Shaft Nut
- 20.....RX-R1984 Fan Spacer, upper
- 21.....RX-R1978 Fan Assy
- 22.....N/A Fan Spacer, middle
- 23.....RX-R1982 Fan Spacer, lower
- 24.....RX-H475 Screw, bearing plate
- 25.....RX-H523 Retaining Ring
- 26.....RX-R1975 Cooling Fan, armature
- 27.....RX-R2107 Fan Spacer
- 28.....RX-R1407 Shell Motor Housing
- 29.....RX-H474 Screw, motor field
- 30.....RX-R1795 Gasket, lower shell
- 31.....RX-R2423 Terminal, brush
- 32.....RX-R1455 Gasket, brush holder
- 33.....RX-R2490 Brush Holder Kit
- 33.....RX-R2421 Carbon Brush, after S.N. 4838444 & S.N. 4826642 - 4830159
- 34.....RX-R2420 Brush Holder, after S.N. 4838444 & S.N. 4826642 - 4830159
- RX-R2423 Field Terminal
- 35.....RX-H309 Screw, brush holder
- 36.....RX-R663 Screw Cap, prior to 9/84
- 37.....RX-R1473 Retainer, cover plate
- 38.....RX-R1471 Cover Plate
- 39.....RX-R1470 Gasket, cover plate
- 40.....RX-R1449 Insulator, Fid Scr insert
- 41.....RX-R1424 Air Deflector
- 42.....RX-H308 Screw, lower bearing
- 43.....RX-R1976 Spider
- 44.....RX-H526 Lock Nut Spider
- 45.....RX-H524 Acorn Nut, bevel
- RX-R312 Separator



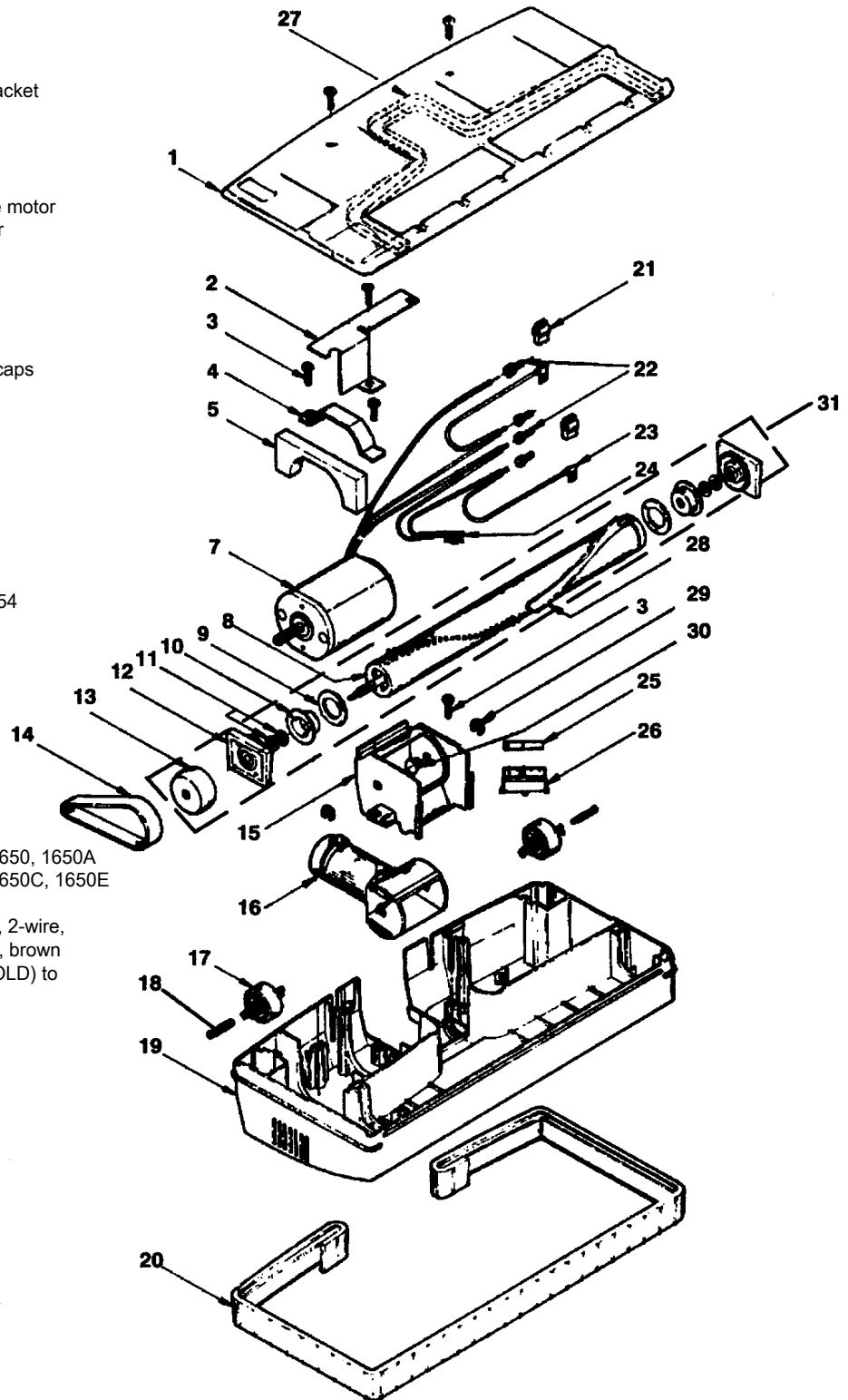
Note: If machine being serviced has old R-1552 carbon brushes or R-2421 motor brush and R2420 brush holder, you must purchase RX-R2490 brush holder kit.

The armature and bearing construction were changed in order to provide a high-quality motor bearing. The following parts cannot be interchanged with previous constructions: armature assy, bearing plate assy, ball bearing, bearing boot, spider, bearing shield, slinger ring, lock nut (spider) acorn nut, motor fan, fan spacer, lower middle and upper fan spacers and fan assy.

POWER NOZZLE ASSEMBLY

Models: R-1650 /A/C/E

- 1.....RX-R2004 Bottom Plate Assy
- 2.....RX-R1997 Insulator
- 3.....RX-H515 Screw
- 3.....RX-H552 Screw, for use w/o motor bracket
- 4.....RX-R1716 Motor Bracket
- 5.....RX-R1813 Air Barrier
- 6.....RX-R2069 Felt Pad
- 7.....RX-R1871 Motor
 - RX-R4662 Carbon Brush, power nozzle motor
 - RX-R4663 Bearing, power nozzle motor
 - RX-R3550 Sleeve Assy
- 8.....RX-R1690 Brush Roll Only, no ends
- 9.....RX-R1692 Felt Seal
- 10.....RX-R1691 Keeper
- 11.....RX-R1698 Thrust Washer
- 12.....RX-R1744 Bearing Assy, includes end caps
 - RX-R2443 End Caps
- 13.....RX-R1702 Pulley
- 14.....RX-R1699 Drive Belt
- 15.....RX-R1957 Pivot Housing
- 16.....RX-R2081 Pivot Arm Assy
- 17.....RX-R1703 Wheel
- 18.....RX-R1704 Wheel Pin
- 19.....NLA Main Housing
- 20.....RX-R2795 Bumper
- 21.....NLA Insulation Pod, use RX-R1754
- 22.....RX-R1775 Closed End Splice
- 23.....RX-R1754 Lead Assy, w/ pod
- 24.....RX-R1818 Indicator Light Assy
- 25.....RX-R1780 Insulator, circuit breaker
- 26.....RX-R1747 Circuit Breaker
- 27.....RX-R2003 Gasket, bottom plate
- 28.....RX-R1695 Beater Bar
- 29.....RX-H527 E-Ring
- 30.....RX-R1996 Clevis Pin
- 31.....RX-R1866 Brush Roll Assy, complete
 - RX-R2228 Pivot Arm & Housing Kit, R1650, 1650A
 - RX-R3301 Pivot Arm & Housing Kit, R1650C, 1650E
 - RX-H514 Ground Screw, R1650A
 - RX-R2496 Power Nozzle Cord, 1 piece, 2-wire, machine to power nozzle, brown
 - RX-R1877 Conversion Cord, 2 prong (OLD) to 3 prong (NEW)



Rexair Parts for old Eureka style Power Nozzle that are not shown in Eureka Catalog.

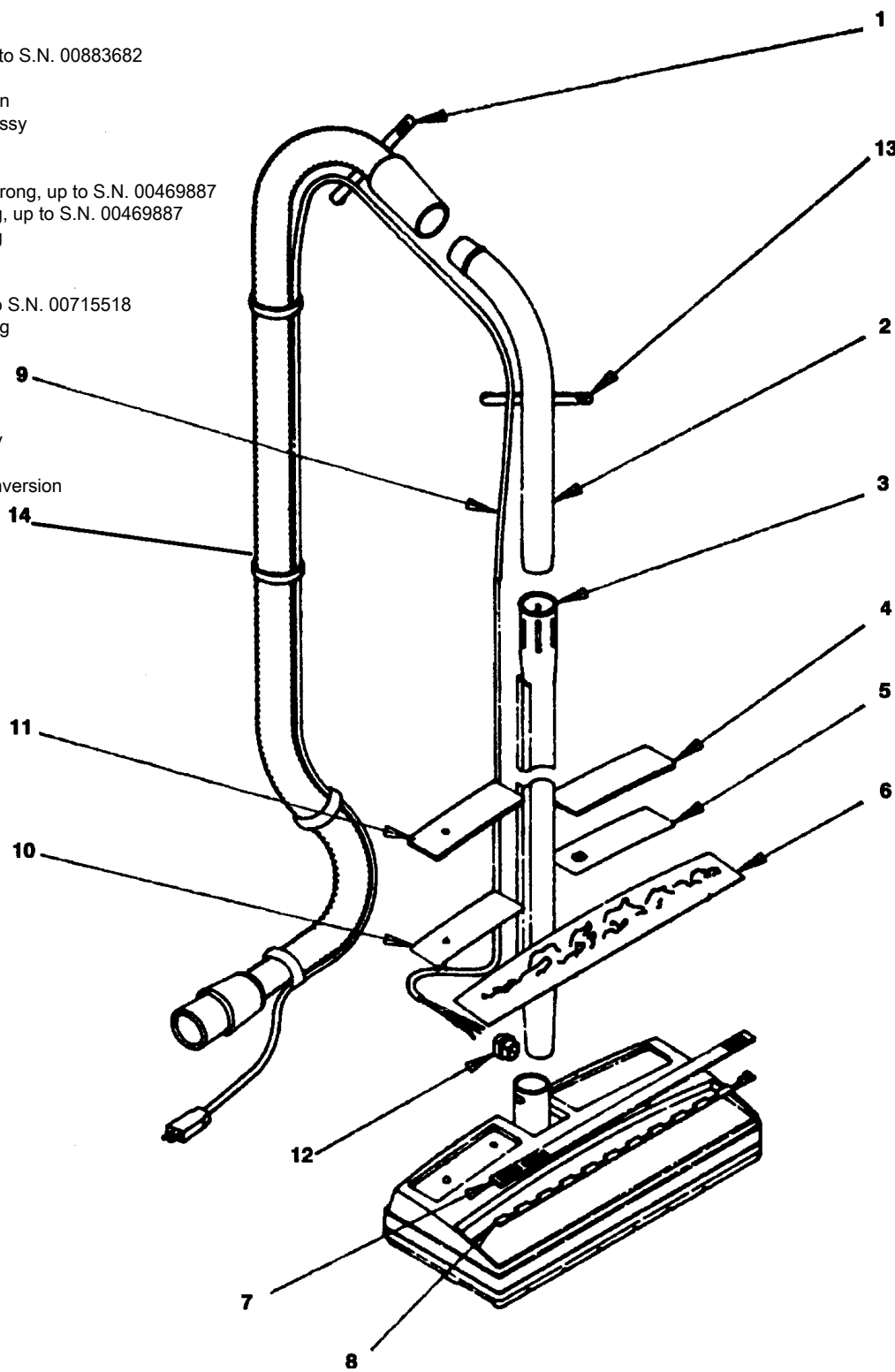
- RX-R6621 Hose Assy
- RX-R1836 Hose Cord, 3-wire
- RX-R1868 Wand Cord, 3-wire

POWER NOZZLE ASSEMBLY

Models: R-1650 /A/C/E

- 1.....RX-R1045Hose Cord Strap
- 2.....RX-R1999Curved Wand Assy
- 3.....RX-R5066Straight Wand Assy
- 4.....RX-R3051Lens, right side
- 4.....N/ALens, right side, up to S.N. 00883682
- 5.....RX-R3052Applique, right side
- 6.....RX-R1994Applique, wood grain
- 7.....RX-R1993Slide Valve Guide Assy
- 8.....RX-R1990Slide Valve
- 9.....RX-R2496Cord, power nozzle
- 9.....RX-R1717Extension Cord, 2 prong, up to S.N. 00469887
- 9.....RX-R1714Wand Cord, 2 prong, up to S.N. 00469887
- 9.....RX-R1836Wand Cord, 3 prong
- 10.....RX-R1729Applique, left side
- 11.....RX-R2685Lens, left side
- 11.....RX-R1684Lens, left side, up to S.N. 00715518
- 12.....RX-R4053Strain Relief Bushing
- 13.....RX-R1045Strap, wand cord
- 14.....RX-R6621Hose Assy, 18 yarn,
all except D4CSE

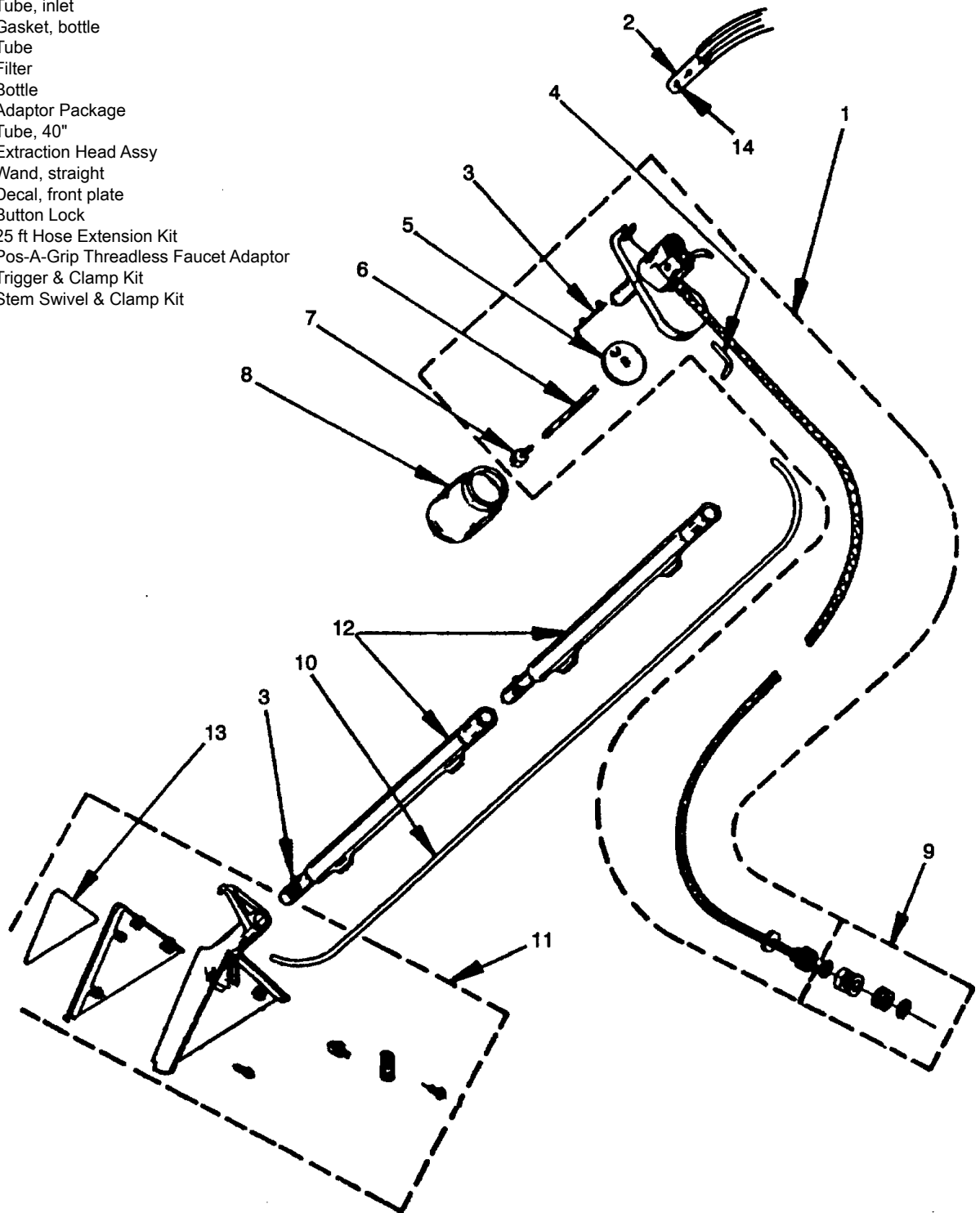
- RX-R2784Hose Coupling Assy
- RX-R579Molded Tip Only
- RX-R1877Extension Cord Conversion
- RX-R3520Cord Guide
Replacement Kit



AQUAMATE EXTRACTION UNIT

Original Series R-2031

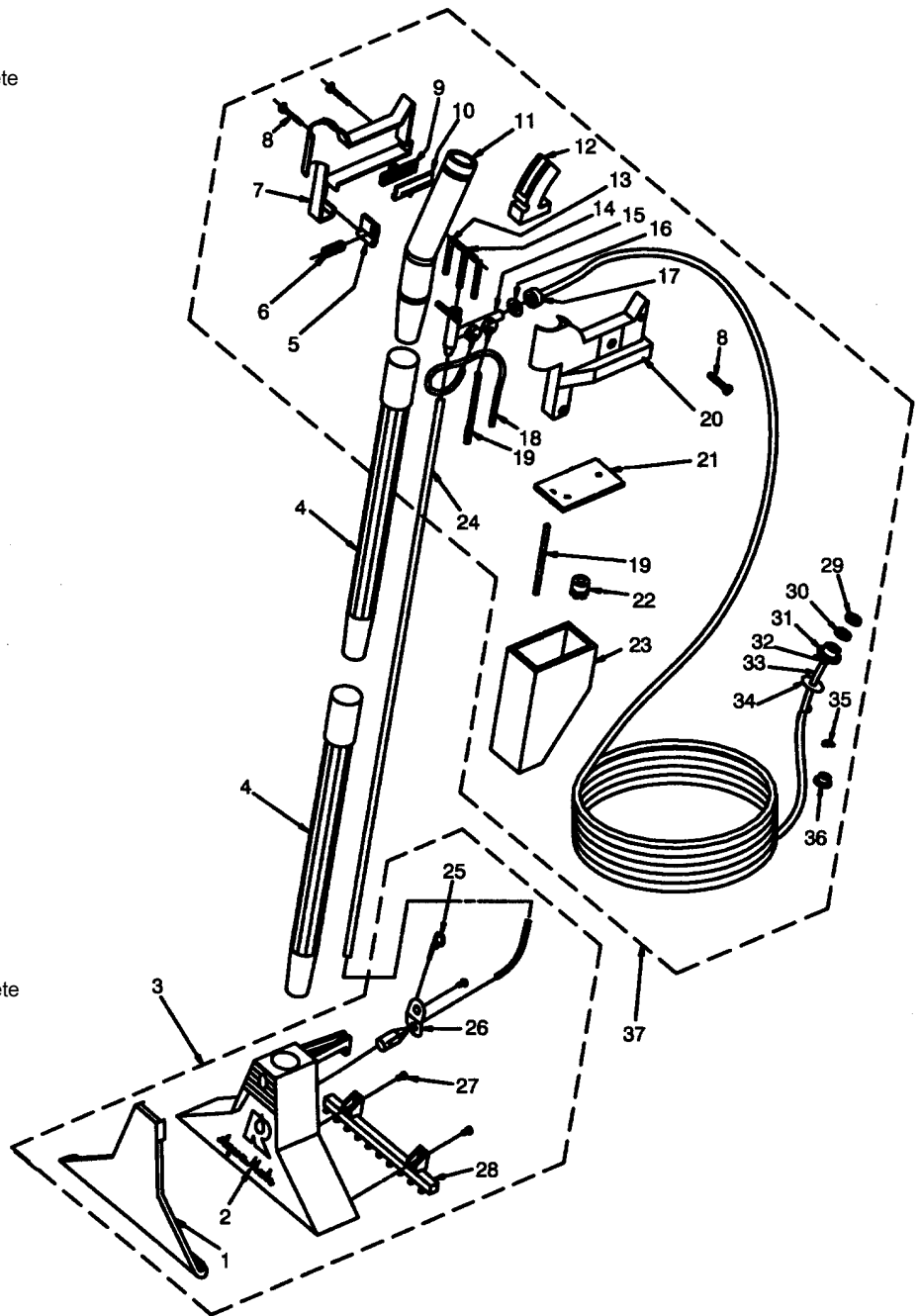
- 1.....N/ATrigger Valve & 50 ft Hose Assy
- 2.....N/ACurved Wand Assy
- 3.....NLAButton Lock
- 4.....NLATube, inlet
- 5.....N/AGasket, bottle
- 6.....NLATube
- 7.....N/AFilter
- 8.....NLABottle
- 9.....N/AAdaptor Package
- 10.....RX-R2026Tube, 40"
- 11.....NLAExtraction Head Assy
- 12.....N/AWand, straight
- 13.....NLADecal, front plate
- 14.....NLAButton Lock
- RX-R209125 ft Hose Extension Kit
- RX-R2090Pos-A-Grip Threadless Faucet Adaptor
- N/ATrigger & Clamp Kit
- RX-R2233Stem Swivel & Clamp Kit



"AQUAMATE" WATER EXTRACTION UNIT

Oxford Brown

- 1.....RX-R2269Front Plate
- 2.....RX-R3581AquaMate Head Decal
- 3.....N/AExtraction Head Assy, complete
- 4.....N/AStraight Wand Assy
- 5.....RX-R2322Bottle Latch
- 6.....RX-R2321Latch Spring
- 7.....N/ARight Housing Assy
- 8.....RX-H537Screw
- 9.....RX-R2326Slide Adjustment
- 10.....RX-R2318Pinch Arm
- 11.....N/ABent Arm Assy
- 12.....RX-R2340Trigger
- 13.....RX-R6977Spring, trigger
- 14.....RX-R2571Valve Control Rod Assy
- 15.....RX-R2400Fluid Control Assy
- 16.....RX-R2401"O" Ring
- 17.....RX-R2402Hose Connection
- 18.....RX-R2602Detergent Inlet Tube
- 19.....RX-R2483Overflow & Bottle Fill Tube
- 20.....RX-R2471Left Housing Assy
- 21.....RX-R2317Foam Gasket
- 22.....RX-R7351Flow Control
- 23.....N/ASolution Bottle Assy
- 24.....RX-R202640" Tube
- 25.....N/ANozzle Clean-Out Tool
- 26.....RX-R2260Spray Nozzle Plate Kit
 RX-R2626Brass Spray Nozzle
 RX-R2627Support Plate
- 27.....RX-H491Screw
- 28.....RX-R2262Brush Assy
- 29.....RX-R2080Long Adaptor Thick Washer
- 30.....RX-R7356Screen Washer
- 31.....RX-R6138Stern Nut
- 32.....RX-R2040Tubing Clamp
- 33.....RX-R465150 ft Hose Assy
- 34.....RX-R2065Anti-Drip Washer
- 35.....RX-R2079Washer, short adaptor
- 36.....RX-R2045Adaptor, short
- 37.....N/AControl Network Assy, complete
 RX-R2469Adaptor Package (included)
 RX-R2042Swivel Stem, white piece



RX-R5426
Stainless Steel Wands, 2 used

D3 ATTACHMENTS

- | | | |
|-------------------------------------|-------------------------------------|------------------------------------|
| RX-R933.....Straight Wand | RX-H528.....Screw, for floor tool | RX-R1847.....Body, upholstery tool |
| RX-R2807.....Curved Wand | RX-R981.....Crevice Tool | RX-R841.....Separator Brush |
| RX-R2792.....Suction Control Sleeve | RX-R1730.....Attachment Caddy | RX-R6621.....Hose Assembly, 9-yarn |
| RX-R934.....Bottom Wand | RX-R588.....Dusting Brush Assy | RX-R1518.....Dolly Assy, complete |
| RX-R2007.....Floor Tool Assy | RX-R192.....Bristles, dusting brush | NLA.....Dolly, w/o casters |
| RX-R188.....Bristles, floor tool | RX-R589.....Back, dusting brush | RX-R1897.....Casters, for dolly |
| RX-R587.....Guard, floor tool | N/A.....Upholstery Tool Assy | RX-R3251.....Applique, dolly |
| N/A.....Lower Body, floor tool | RX-R900.....Brush, upholstery tool | N/A.....Attachment Kit |
| N/A.....Upper Body, floor tool | | |