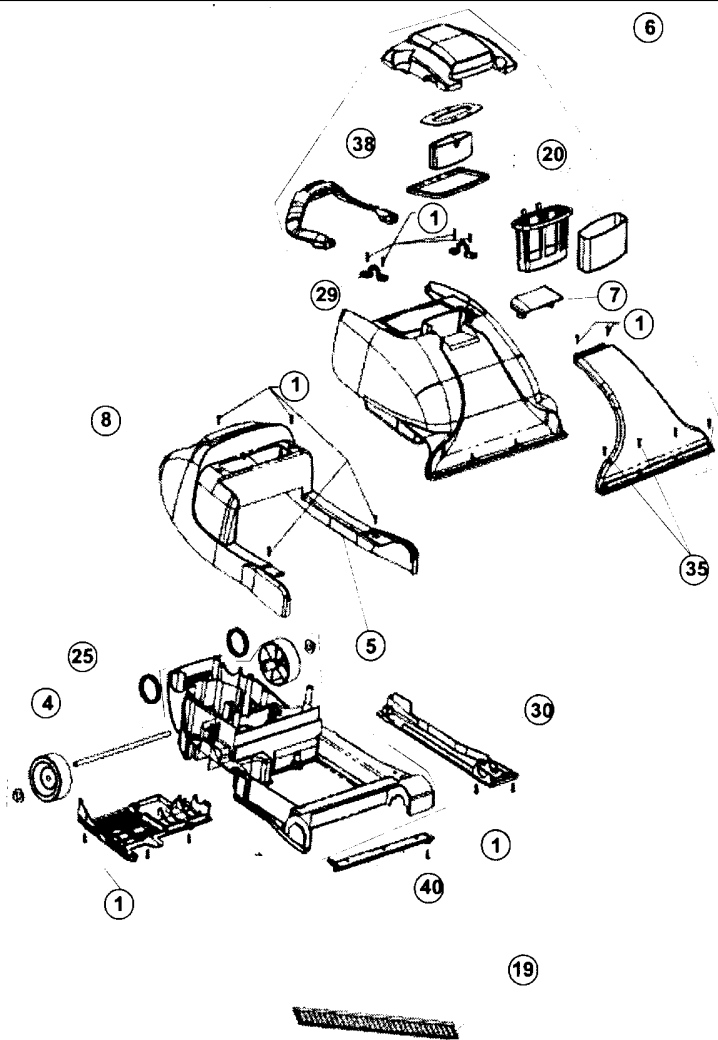
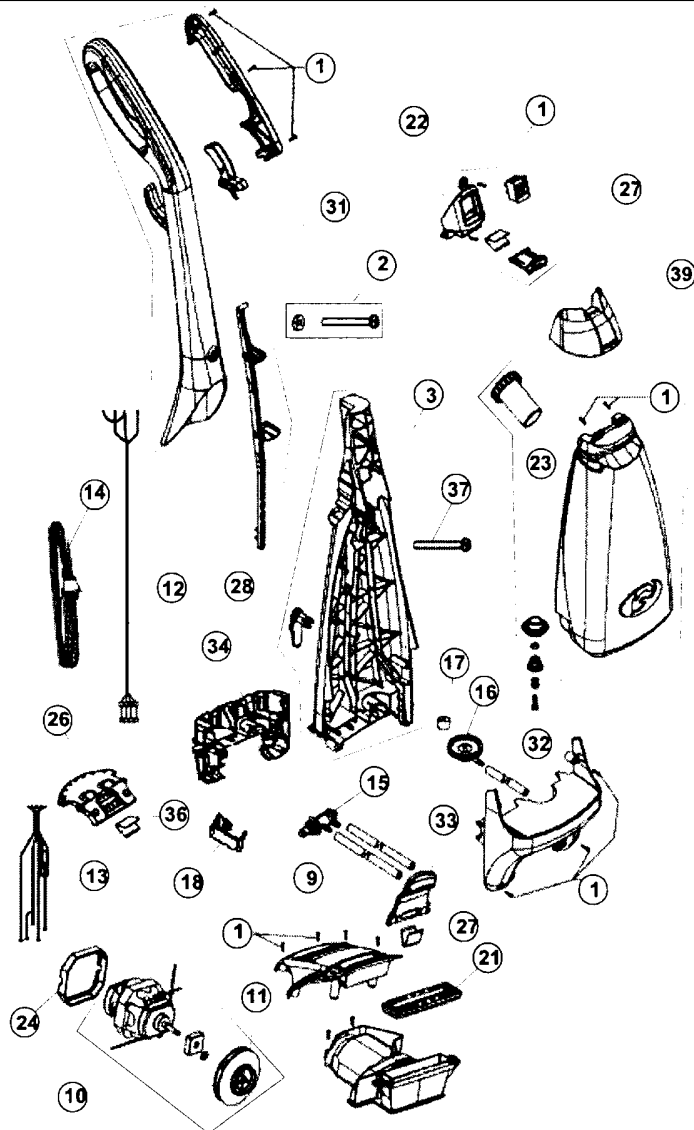


REGINA

Model: HDU300

CARPET CLEANER STEEMER CARPET CLEANER



Index	Part No.	Description
1	R-700130	Screw
2	R-700670	Handle screw assembly
3	R-710501	Lower handle assembly
4	R-710100	Base assembly
5		Base cover
6	R-HDE200	Dirty water tank assembly
7	R-700755	Hose cord assembly
8	R-HDE100	Clean water bottle assembly
9	R-700125	Motor cover base
10	R-710212	Motor assembly
11	R-710240	Fan assembly
12	R-710530	Upper wire harness
13	R-710532	Middle wire harness
14	R-700542	Power cord - 25 feet
15	R-700575	Valve assembly / port hose
16	R-710580	Valve adaptor plate
17	R-700595	Tank adapter screen
18	R-700574	Valve cover
19		Brush strip bar
20	R-700750	Dirty water foam filter

Index	Part No.	Description
21	R-171023	Dirty water seal - fan housing
22	R-710551	Switch plate assembly
23	R-700805	Clean water tank fill cap
24	R-700210	Rear motor mount
25	R-700510	Lower handle pivot
26	R-700135	Base handle lock
27	R-700140	Latch spring
28	R-720120B	Cord hook
29	R-700732B	Carry handle clamp
30	R-700115	Base belt cover
31	R-710114	Upper handle assembly
32	R-700567	21" tubing, valve/spray plate
33	R-700735	Dirty water cover latch
34	R-710502	Lower handle bottom
35	R-700155	Screw
36	R-700142	Handle release spring
37	R-710673	Lower handle screw assembly
38	R-700730	Dirty water tank carry handle
39		Clean water tank carry handle
40	R-700150	Spray plate assembly

HESCO PHONE: 1-800-VAC SHOP FAX: 847-647-0534 E-MAIL: sales@hescoinc.com WEB: www.hescoinc.com