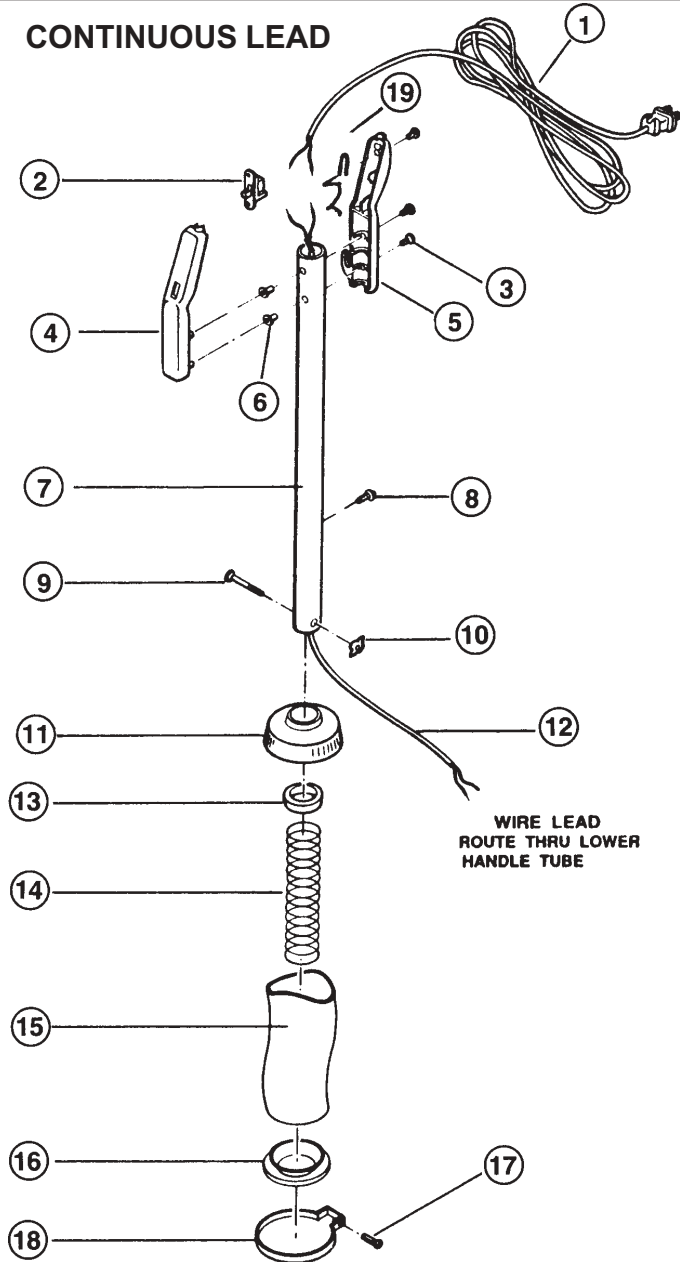


Models: SHB6910

Regina Powerteam Upper Assembly

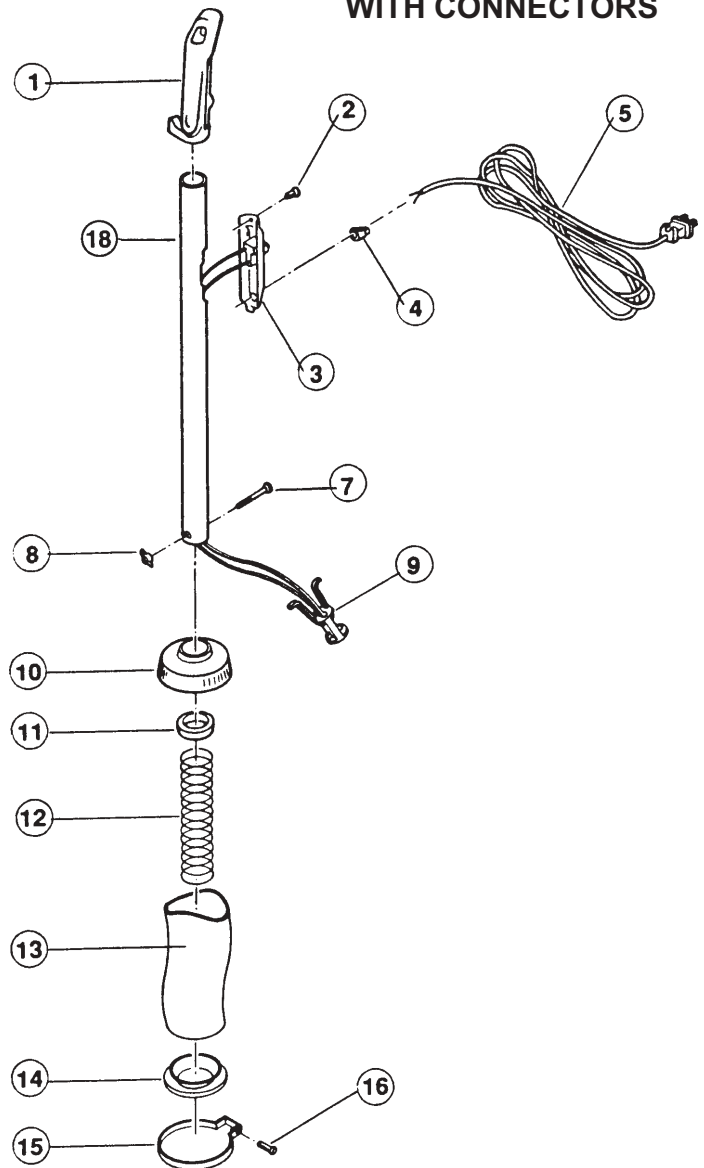
CONTINUOUS LEAD



WIRE LEAD
ROUTE THRU LOWER
HANDLE TUBE

- 1 RG-071000499 Line Cord
- 2 RG-25511P1 Switch
- 3 RG-03794 Screw, handle grip
- 4 RG-25516P3AC Upper Handle Grip
- 5 RG-25517P4AC Lower Handle Grip
- 6 RG-03815 Eyelet
- 7 RG-0976100440328 Upper Handle Tube
- 8 RG-03530D Screw
- 9 RG-03700D Screw
- 10 RG-03712 Wing Nut
- 11 RG-25162P2AC Filter Top, outer
- 12 RG-25548P1 Wire Lead, switch
- 13 RG-20122 Washer, filter top
- 14 RG-25193P1 Spring, filter top
- 15 RG-25246P7 Paper Bag
- 16 RG-25515P1AC Filter Top, inner
- 17 RG-03572 Screw, filter top
- 18 RG-24624P1046 Filter Clamp
- 19 RG-2555501 Static Eliminator

WITH CONNECTORS

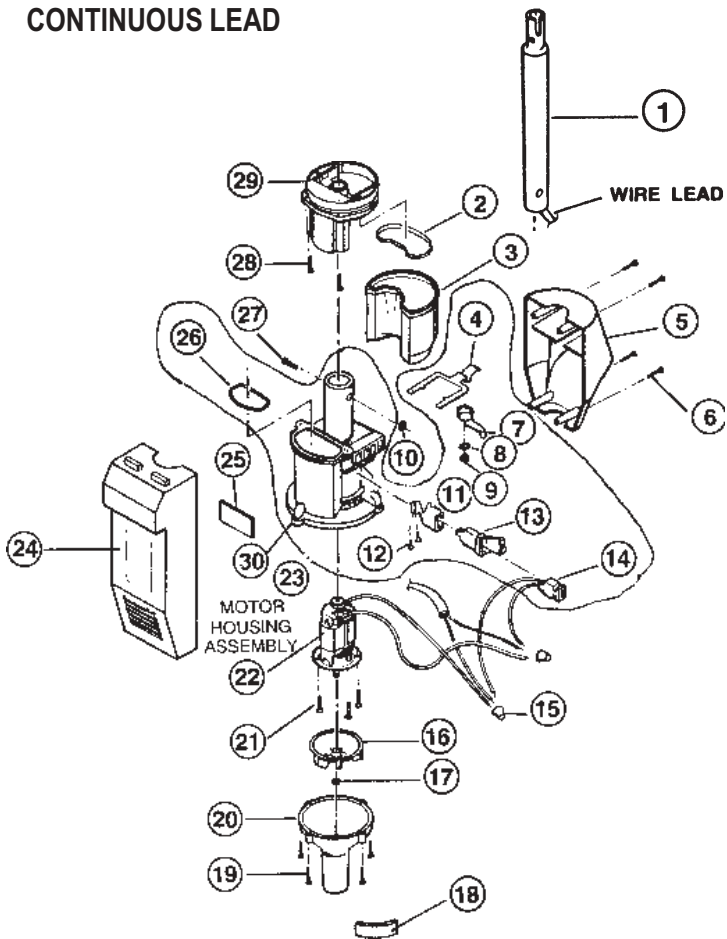


- 1 order #6 Handle Grip
- 2 order #6 Screw
- 3 order #6 Switch Assembly
- 4 order #6 Strain Relief
- 5 order #6 Power Cord
- 6 RG-096300162 Upper Handle Tube Kit, includes #1,2,
3,4,5,6,7,8,9,18
- 7 RG-03700D Screw, upper tube
- 8 RG-03712 Wing Nut
- 9 order #6 Connector Socket
- 10 RG-25162P2AC Filter Top, outer
- 11 RG-20122 Washer, filter top
- 12 RG-25193P1 Spring, filter top
- 13 RG-25246P4 Paper Bag
- 14 RG-25515P1AC Filter Top, inner
- 15 RG-24624P1046 Filter Clamp
- 16 RG-03572 Screw, filter clamp
- 18 order #6 Handle Tube

Models: SHB6910

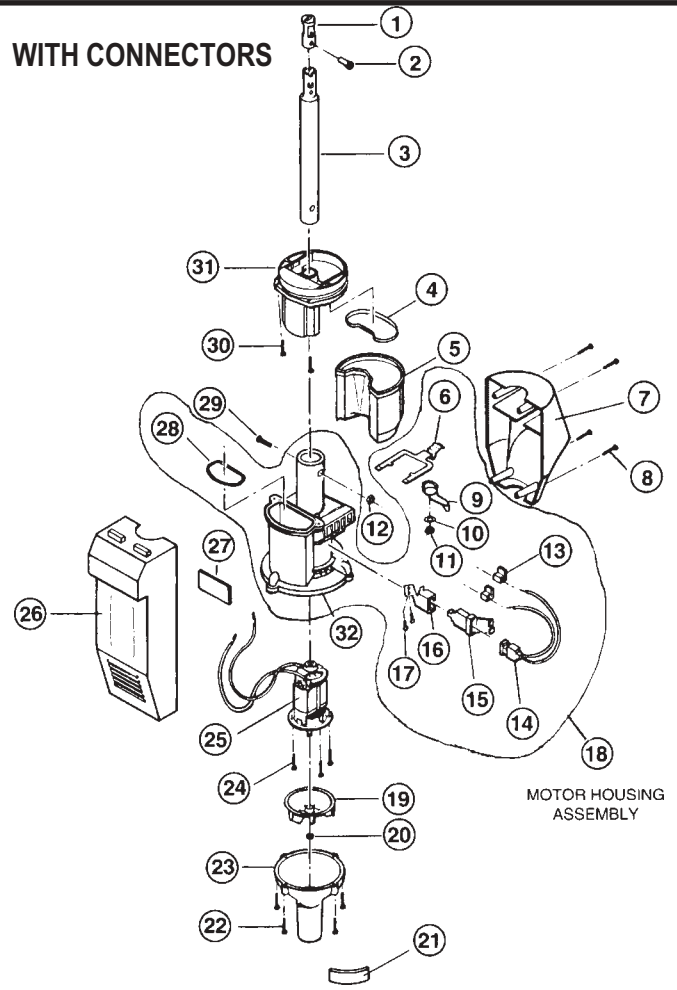
Regina Powerteam Lower Assembly

CONTINUOUS LEAD



- | | | |
|----|------------------|---|
| 1 | RG-0976100430328 | Lower Handle Tube |
| 2 | RG-24439P1 | Dirt Cup Sealing Ring |
| 3 | RG-25506P1AD | Dirt Cup |
| 4 | RG-24881P1 | Spring, dirt cup |
| 5 | RG-25021P1BS | Rear Shield |
| 6 | RG-03498 | Screw |
| 7 | order#23 | Locking Cam |
| 8 | order#23 | Washer |
| 9 | order#23 | Hex Nut |
| 10 | RG-03712 | Wing Nut |
| 11 | order#23 | Receptacle Bracket Kit |
| 12 | order#23 | Rivet |
| 13 | order#23 | Enclosure |
| 14 | order#23 | Power Cord, nozzle |
| 15 | RG-03318 | Connector, lead wire |
| 16 | RG-24340P1175 | Fan |
| 17 | RG-20252 | Nut, fan |
| 18 | RG-25022P1 | Gasket, fan housing |
| 19 | RG-03494 | Screw, fan housing |
| 20 | RG-25508P3BS | Fan Housing |
| 21 | RG-03526 | Screw, motor |
| 22 | RG-25009P15 | Motor |
| 23 | RG-925500G17 | Motor Housing Assy, #4,7,8,9,11,12, 13,14,26,30 |
| 24 | RG-925020G4 | Front Shield, w/ label |
| 25 | RG-25031P1 | Gasket, motor housing |
| 26 | RG-24632P1 | Seal, motor housing |
| 27 | RG-03625D | Screw, motor housing |
| 28 | RG-03490D | Screw, filter ring |
| 29 | RG-924440G2AC | Filter Ring Assembly |
| 30 | order#23 | Motor Housing |

WITH CONNECTORS



- | | | |
|----|---------------|---|
| 1 | RG-25101P2AQ | Housing Connector |
| 2 | RG-25109P1AQ | Wire Protector Sleeve |
| 3 | RG-25104P3AC | Lower Handle Tube |
| 4 | RG-24439P1 | Sealing Ring, dirt cup |
| 5 | RG-25506P1AD | Dirt Cup |
| 6 | RG-24881P1 | Spring, dirt cup |
| 7 | RG-925021G1 | Rear Shield |
| 8 | RG-03498 | Screw |
| 9 | order#18 | Locking Cam |
| 10 | order#18 | Washer |
| 11 | order#18 | Hex Nut |
| 12 | RG-03712 | Wing Nut |
| 13 | RG-03645 | Connector, red |
| 14 | order#18 | Power Cord, nozzle |
| 15 | order#18 | Enclosure |
| 16 | order#18 | Receptacle Bracket Kit |
| 17 | order#18 | Rivet |
| 18 | RG-925500G17 | Motor Housing Assy, includes #6,9,10, 11,13,14,15,16,17,28,32 |
| 19 | RG-24340P1175 | Fan |
| 20 | RG-20252 | Nut, fan |
| 21 | RG-25022P1 | Gasket, fan housing |
| 22 | RG-03494 | Screw, fan housing |
| 23 | RG-25508P3BS | Fan Housing |
| 24 | RG-03526 | Screw, motor |
| 25 | RG-25009P8 | Motor |
| 26 | RG-925020G4 | Front Shield |
| 27 | RG-25031P1 | Gasket, motor housing |
| 28 | RG-24632P1 | Seal, motor housing |
| 29 | RG-03625D | Screw, filter ring |
| 30 | RG-03490D | Screw, filter ring |
| 31 | RG-924440G2AC | Filter Ring Assy |
| 32 | order#23 | Motor Housing |