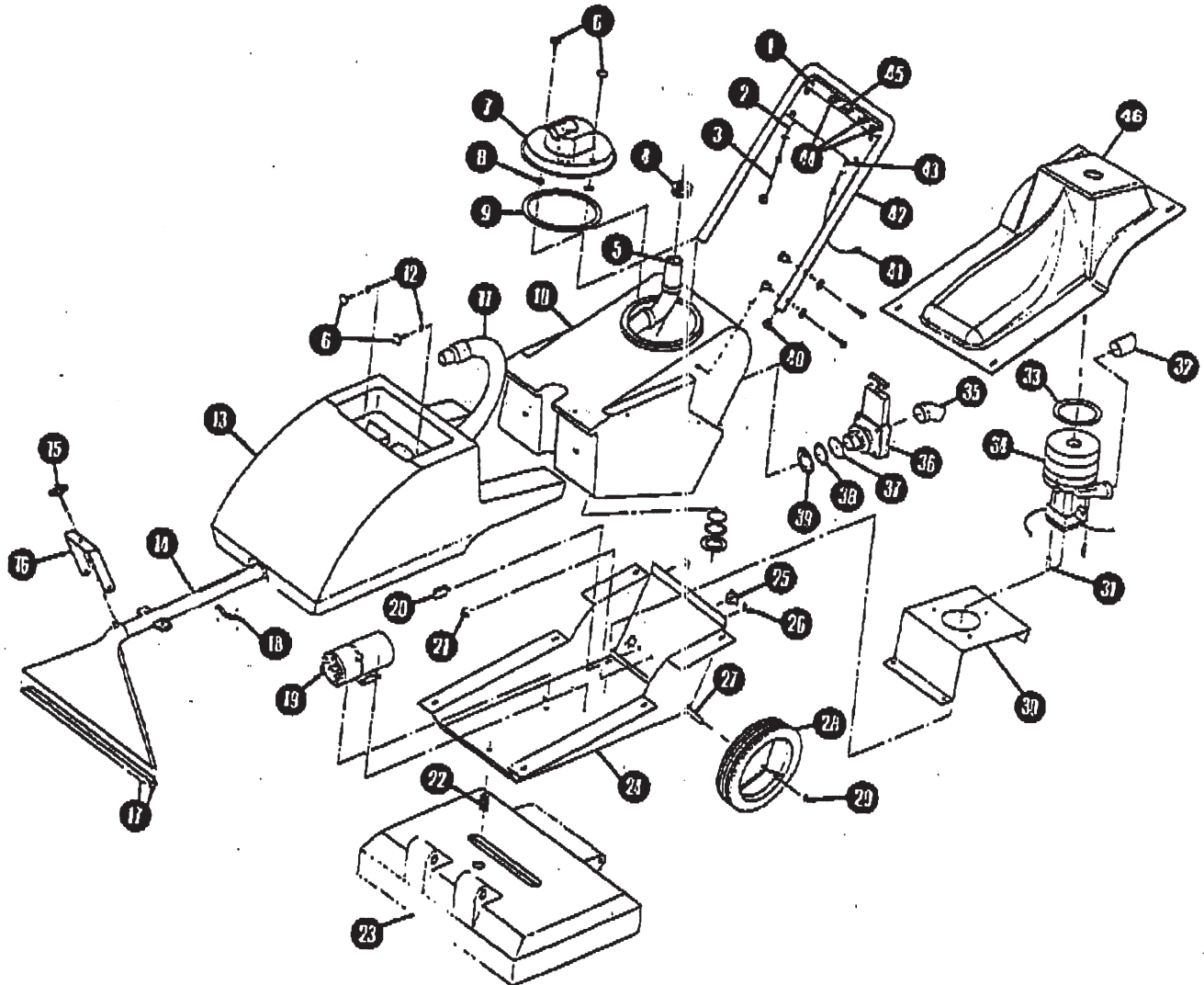


PULLMAN-HOLT

Model: COM-SC600

- | | | | | | |
|-----|------------|-------------------------------|----|------------|-----------------------------------|
| 1 | PH-B600087 | Control panel | 24 | PH-B600098 | Frame, painted gray |
| 2 | PH-B910089 | Relief strain | 25 | PH-B700129 | Connector pan MTG 5 contacts |
| 3 | PH-B230008 | Wire harness SW/BX to chassis | 26 | PH-B931532 | Right hand hinge loose mt. pl. |
| 4 | PH-B230016 | Stand pipe screen assembly | 27 | PH-B600112 | Wheel shaft |
| 5 | PH-B230022 | Stand pipe assembly | 28 | PH-B600142 | Wheel, 10 x 1.75 |
| 6 | PH-B700167 | Knob | 29 | PH-B700381 | Cap hub wheel |
| 7 | PH-B641652 | Sight dome | 30 | PH-B600100 | Vac motor bracket |
| 8 | PH-B700140 | Washer | 31 | PH-B600141 | Vac motor spacer |
| 9 | PH-B600091 | Sight dome gasket | 32 | PH-B600099 | Vac discharge tube, 2"x3" lg. |
| 10 | PH-B701264 | Recovery tank | 33 | PH-B701385 | Gasket |
| 11 | PH-B600150 | Hose assembly | 34 | PH-B700125 | Vac motor, 115v |
| 12 | PH-B932718 | Washer | 35 | PH-B700111 | 45 drain 2" |
| 13 | PH-B701265 | Solution tank | 36 | PH-B960941 | Dump valve and nipple, plastic |
| 14 | PH-B800446 | Vac shoe assembly | 37 | PH-B521485 | "O" ringm 1.875 x .125 |
| 15 | PH-B980582 | Knob handle lock | 38 | PH-B700531 | Gasket dump valve, thick |
| 16 | PH-B600103 | Height adjustment bracket | 39 | PH-B980228 | Nut flanged dump valve |
| 17 | PH-B700425 | Shoe lip guard | 40 | PH-B700188 | Handle pipe end plug, 1" diameter |
| 18 | PH-B600089 | Shoe support clamp | 41 | PH-B700128 | Cord set, 35' |
| 18A | PH-B600092 | Clamp pad | 42 | PH-B600154 | Handle assembly, gray |
| 19 | PH-B700110 | Pump, flo-jet 2035 | 43 | PH-B700116 | Strain relief flex protector |
| 20 | PH-B700115 | Circuit breaker, 2A | 44 | PH-B525298 | Rocker switch |
| 21 | PH-B700118 | Rectifier, 12A | 45 | PH-B700124 | Switch, push button |
| 22 | PH-B700108 | Compression spring | 46 | PH-B700632 | Splash guard |
| 23 | PH-B230025 | Power brush assembly | | | |



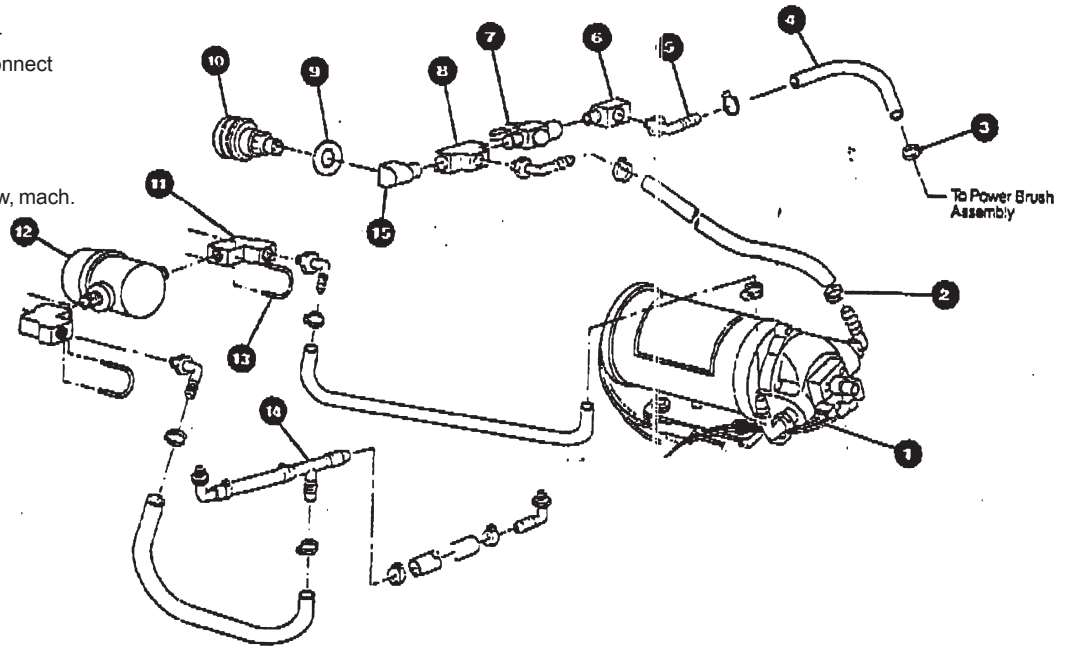
PHONE: 1-800-822-7467 FAX: 847-647-0534 E-MAIL: sales@hescoinc.com WEB: www.hescoinc.com

PULLMAN-HOLT

Model: COM-SC600

Pump Assembly/Power Brush

- 1 NLA Pump
- 2 PH-B522452 Hose clamp
- 3 PH-B700141 One eared clamp
- 4 PH-B700142 Hose
- 5 PH-B700144 Barbed elbow
- 6 PH-B700182 Street elbow
- 7 PH-B700122 Valve
- 8 PH-B700183 Tee
- 9 PH-B525124 Flat washer
- 10 PH-B527816 Quick disconnect
- 11 PH-B700194 90° elbow
- 12 PH-B700117 Inline filter
- 13 PH-B700322 U-bolt
- 14 PH-B700143 Barbed tee
- 15 PH-B600143 Street elbow, mach.



- 1 PH-B700126 DC motor
- 2 PH-B700428 Brush
- 3 PH-B524121 Pin Hair style
- 4 PH-B600103 Adjusting bracket
- 5 PH-B980581 Adjusting knob
- 6 PH-B700108 Spring
- 7 PH-B600706 Power brush housing
- 8 PH-B600105 Power brush bracket
- 9 PH-B702922 Axle pivot
- 10 PH-B702920 Hub cap
- 11 PH-B700178 Hose barb
- 12 PH-B600711 Manifold
- 13 PH-B702946 Nozzle body assembly
- 14 PH-B702944 End cap
- 18 PH-B700429 Brush shaft
- 19 PH-B700172 Bearing
- 20 PH-B701960 Bearing block
- 21 PH-B701359 Brush pulley
- 22 PH-B701358 Belt, timing
- 23 PH-B701368 Motor pulley
- 24 PH-B700427 Brush motor plate
- 25 PH-B600153 Brush motor gasket

