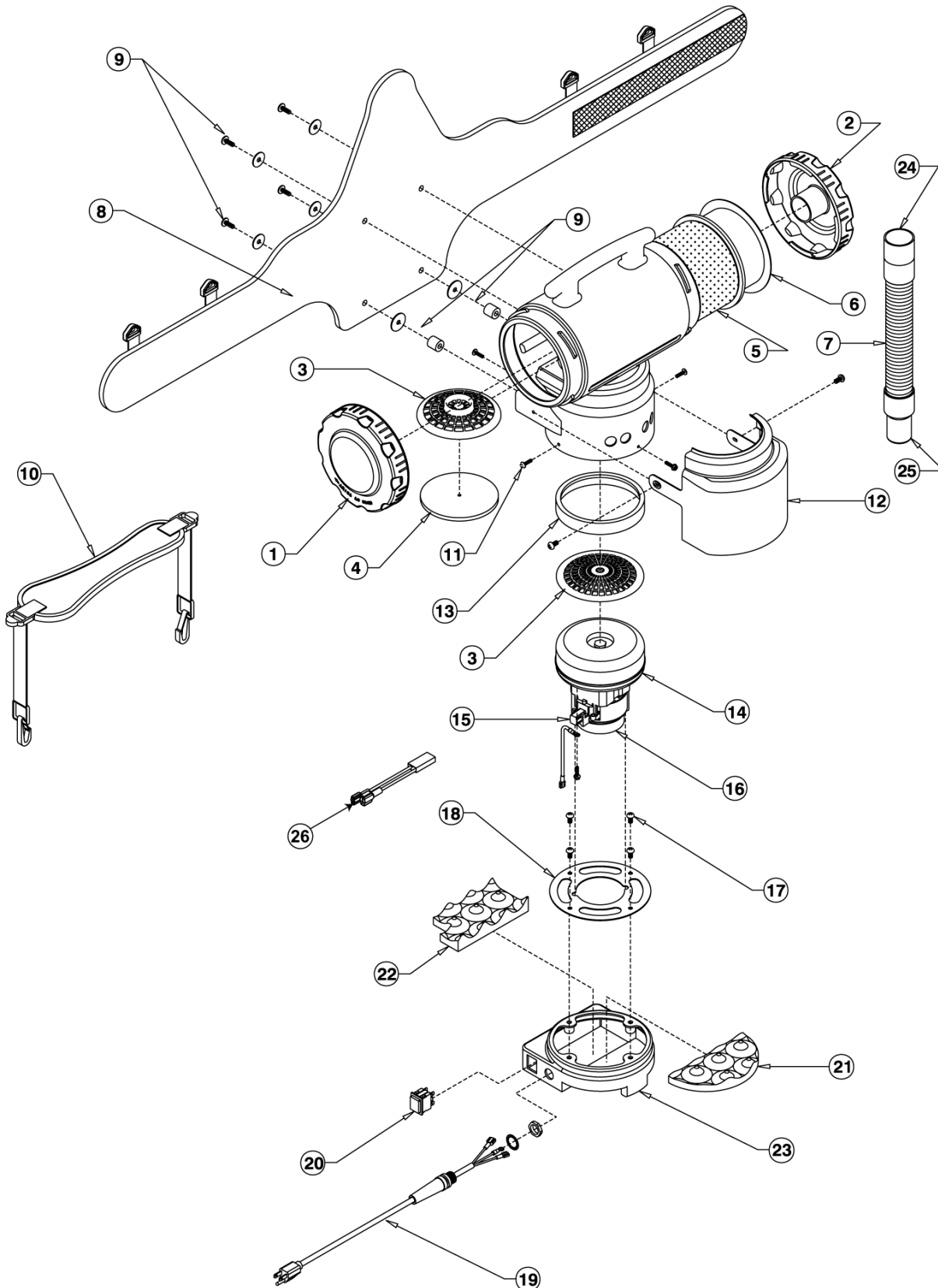


PRO TEAM

PORTABLE VAC

Model: TailVac



Model: TailVac

Index	Part No.	Description
1	PT-859	Blind twist cap assembly (green)
2	PT-101934	Twist cap for 1 1/2" cuff (grey)
3	PT-102784	Dome filter with foam media
4	PT-101949	Foam filter media for dome filter
	PT-102761	High filtration disk (optional)
5	PT-100564	Micro cloth filter
6	PT-006	496 Square inch intercept micro filter
7	PT-101184	3-1 Stretch hose with cuffs 1 3/4"
	PT-101705	3-1 Stretch hose with cuffs 1 1/2"
8	PT-102878	Waist belt with velcro
9	PT-101274	Waist belt connection set (6 screws, 6 washers, 2 stand-offs)
10	PT-102879	Monostrap
	PT-103025	Retrofit set (waist belt and monostrap)
11	PT-101272	Step cap screw kit
12	PT-101711	Shroud retro kit (grey) with 2 screws
13	PT-103236	Motor seal
14	PT-101189	Motor/ fan (120V) with crimps (includes #16, 18)
15	PT-102988	Carbon brush set for TailVac motor
16	PT-103043	Fan and brush cover kit
17	PT-101271	Motor mount screw kit (6 screws, 4 washers)
18	PT-100950	Director plate
19	PT-101713	Power cord assembly (18" 16/3)
20	PT-100743	On/ off switch
21	PT-101228	Front sound foam baffle
22	PT-101229	Rear sound foam baffle
23	PT-103262	Step cap (grey) (includes #21)
24	PT-101437	Replacement fixed hose cuff (black) 1 1/2" x 1 1/4"
	PT-101536	Replacement fixed hose cuff (black) 1 1/2" (not shown)
25	PT-101436	Replacement swivel cuff (black) 1 1/4"
	PT-100694	Replacement swivel cuff (black) 1 1/2"
26	PT-105648	Thermal protector
NOT ILLUSTRATED		
	HAR-315	50' extension cord (not shown)
	PT-101336	Attachment kit, 1-1/2"
	PT-101446	E-Z Glide floor tool w/nylon brush, 14"
	PT-100108	Crevice tool, 17"
	PT-100110	Dust brush w/reducer, 3"
	PT-100115	Upholstery tool, 5"
	PT-101338	Alumimum wand, 2-pc/2-bend, 56"