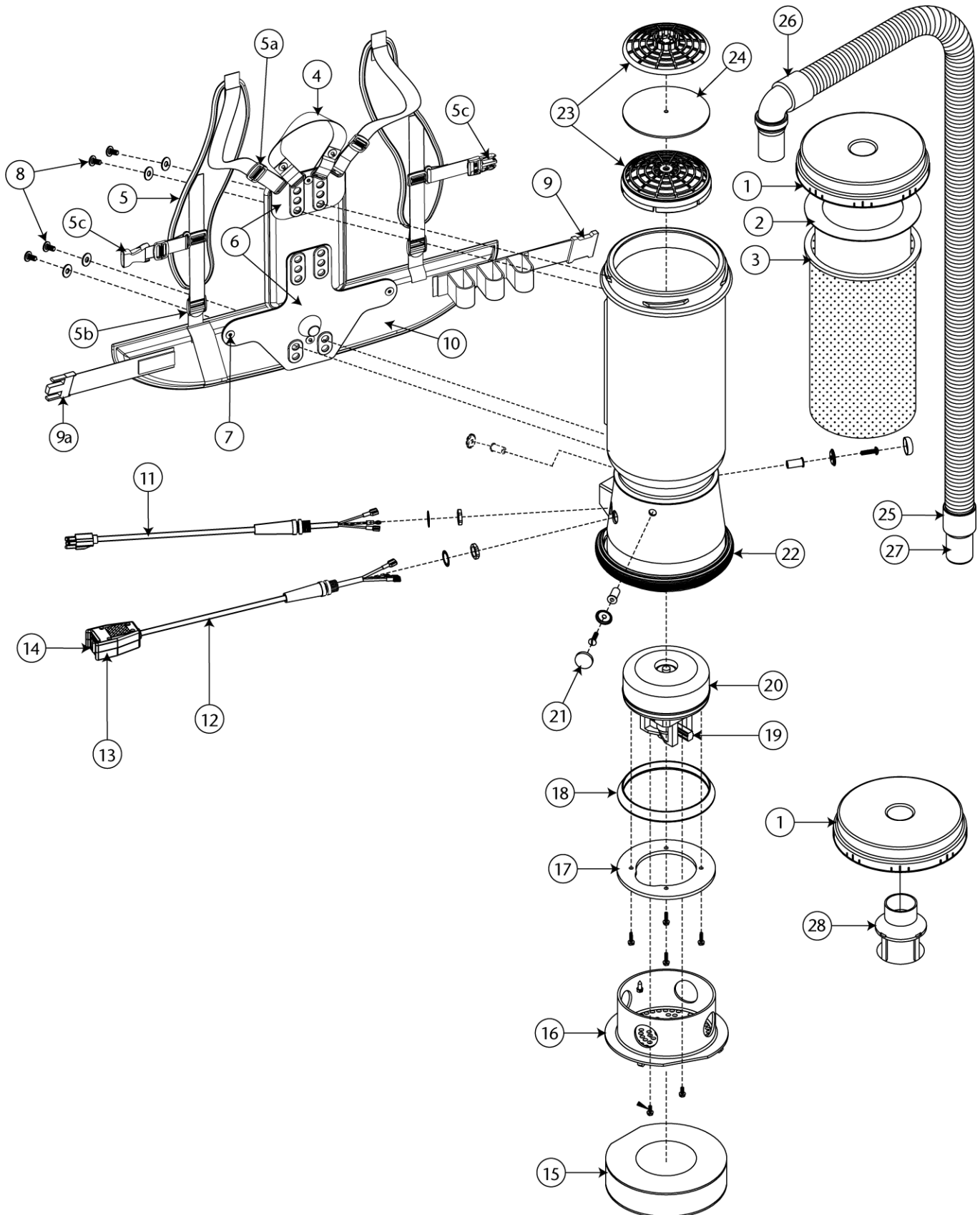


PRO TEAM

PORTABLE BACKPACK VAC

Model: CoachVac / Super CoachVac



Model: CoachVac / Super CoachVac

Index	Part No.	Description
1	PT-100197	Twist cap (purple)
2	PT-007	698 Square inch intercept micro filter
3	PT-100565	Micro cloth filter
4	PT-101737	Carry handle with rivet and washer set
5	PT-100356	Shoulder strap assembly (includes #5a, 5b, 5c)
5a	PT-100358	Shoulder strap plastic adjustment buckle (top)
5b	PT-100357	Shoulder strap plastic adjustment buckle (bottom)
5c	PT-103627	Sternum strap buckle (latch and keeper)
6	PT-105046	Backplate (includes #7)
7	PT-100375	Barrel nut connection set for backplate (replacement)
8	PT-100716	Backplate connection set (black)
9	PT-100363	Waist belt keeper
9a	PT-100364	Waist belt latch
10	PT-100359	Waist belt (includes #9, 9a)
	PT-100354	Strap assembly complete (includes #5, 5a, 5b, 5c, 9, 9a)
	PT-103166	Backplate system complete (black) (includes #4, 5, 5a, 5b, 5c, 6, 7, 8, 9a)
11	PT-100641	Power cord assembly (18" 16/3)
12	PT-101610	Switch cord assembly (includes #12, 13, 14)
	PT-101717	220V switch cord assembly (includes #12, 13, 14)
13	PT-101742	Switch box with velcro and screws
	PT-101714	Switch cord with crimps
14	PT-100743	On/ off switch
15	PT-100597	Sound muffler
16	PT-105044	Motor shroud cover with screw set
17	PT-100335	Motor compression ring with screws
	PT-100378	Compression ring screw set
18	PT-100014	Tetraseal
19	PT-105697	Carbon brush set for CoachVac motor (Domel)
	PT-100424	Carbon brush set for CoachVac motor (Ametek)
	PT-105164	Carbon brush set for Super CoachVac motor (Domel)
	PT-101720	Carbon brush set for Super CoachVac motor (Ametek)
20	PT-105720	Motor/ fan (120V) with crimps for CoachVac motor (Domel)
	PT-100420	Motor/ fan (220V) with crimps for CoachVac motor (Ametek)
	PT-105162	Motor/ fan (120V) with crimps for Super CoachVac motor (Domel)
	PT-100324	Motor/ fan (220V) with crimps for Super CoachVac motor (Ametek)
	PT-100379	Motor ground and wire clamp set with screws
	PT-100380	Motor crimp set (5 female, 3 male, ground crimp connector)
21	PT-100368	Motor mounting system set (3 well nuts, 3 bolts, 3 washers, 3 covers)
22	PT-100586	Bottom bumper
23	PT-100030	Domel filter with foam media
24	PT-100343	Foam filter media for dome filter
	PT-10120	High filtration disk (optional)
25	PT-103048	Static- dissipating hose with cuffs (black)
26	PT-101928	Replacement double swivel elbow cuff (black)
27	PT-100694	Replacement swivel cuff (black) 1 1/2"
28	PT-101543	Filter guard (optional)
NOT ILLUSTRATED		
	HAR-315	50' extension cord (not shown)
	PT-101336	Attachment kit, 1-1/2"
	PT-101446	E-Z Glide floor tool w/nylon brush, 14"
	PT-100108	Crevice tool, 17"
	PT-100110	Dust brush w/reducer, 3"
	PT-100115	Upholstery tool, 5"
	PT-101338	Alumimum wand, 2-pc/2-bend, 56"