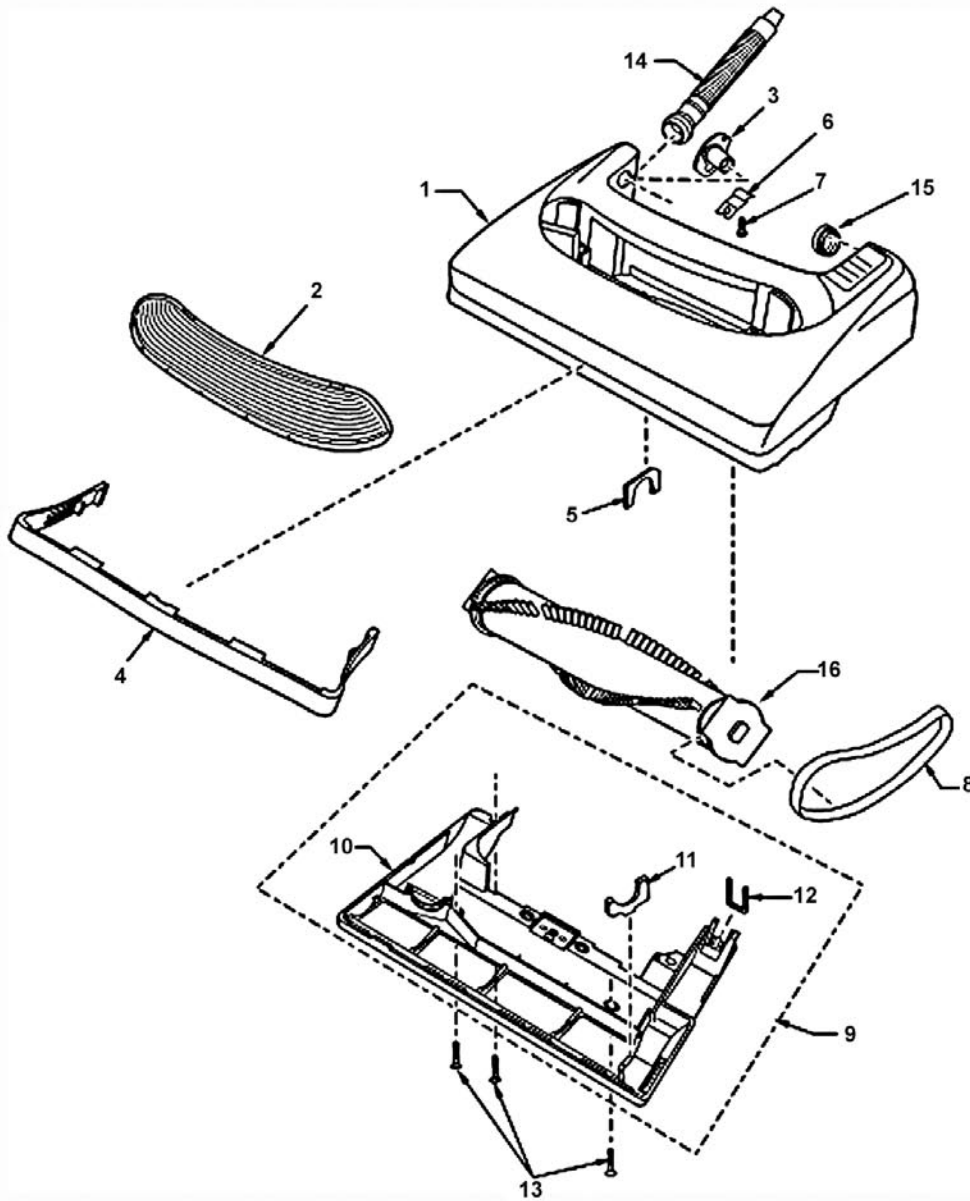


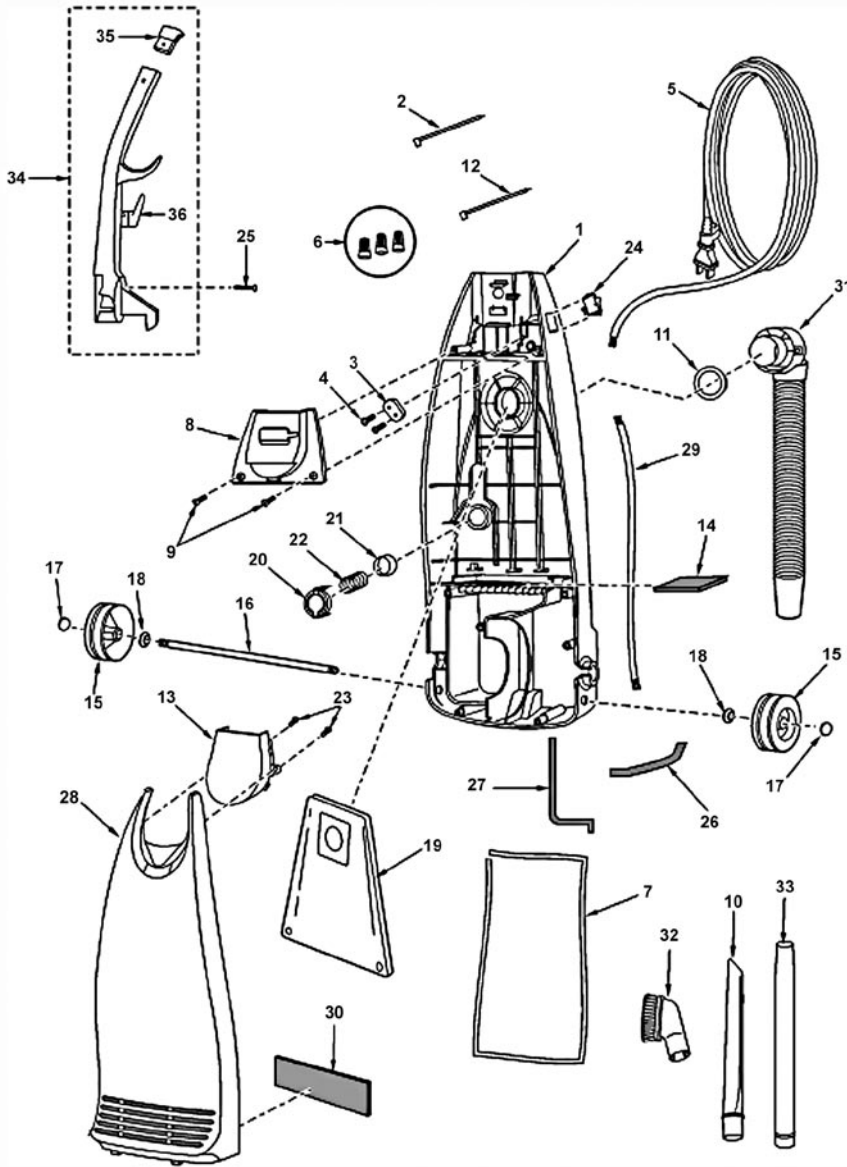
NOZZLE HOUSING



Index	Part No.	Description
1	P-11268	Nozzle Housing
2	P-10105	Window
3	P-10819	Shaft (Plastic)
4	P-11274	Furniture Guard
5	P-81	Packing (Nozzle)
6	P-58	Spring (Pedal)
7	P-6140	Screw (Pedal Sping)
8	P-V270B	Belt
9	P-9197	Lower Plate Assembly
10	P-2707	Lower Plate
11	P-7500	Packing (Lower Plate)
12	P-43	Belt Cover
13	P-6800	Screw (Lower Plate)
14	P-10304	Nozzle Hose (Short)
15	P-78	Plastic Holder
16	P-11270	Agitator Assembly

Models: MC-V5734

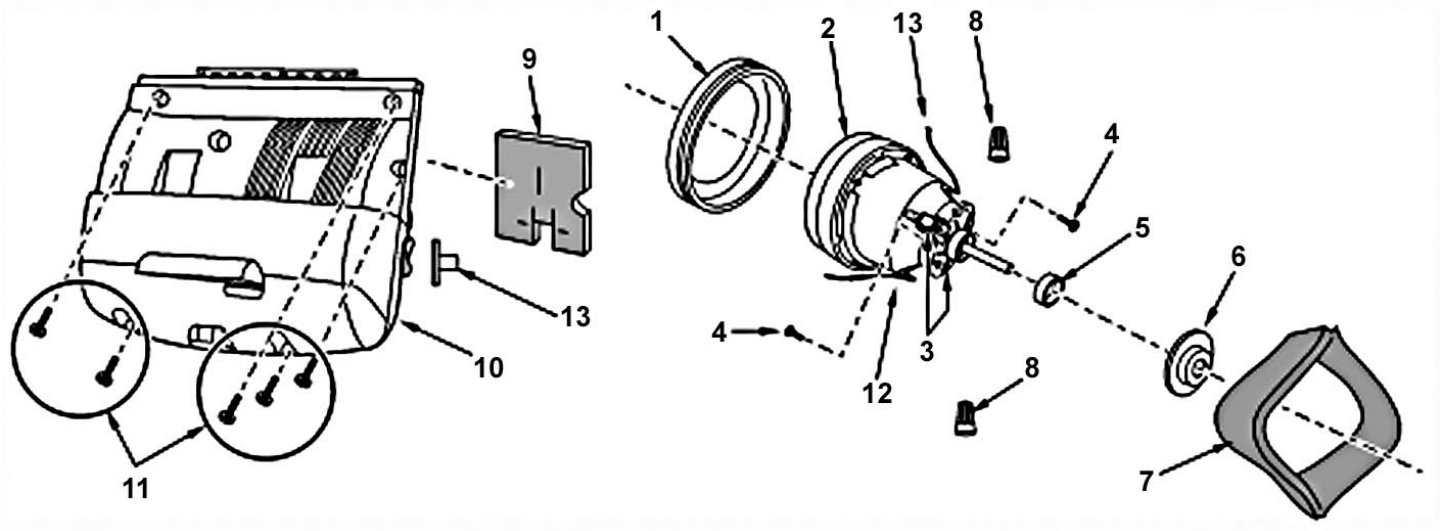
BODY



Index	Part No.	Description
1	P-11278	Dust Compartment
2	P-10508	Lead Wire, black
3	P-0698	Cord stopper
4	P-6140	Screw (Cord stopper)
5	P-11018	Power Cord
6	P-000623	Wire Connector
7	P-10309	Packing (Dust Compartment)
8	P-10312	Switch Cover
9	P-6140	Screw (Switch Cover)
10	P-6069	Crevice Tool
11	P-10512	Packing (Suction Inlet)
12	P-4410	Lead Wire
13	P-111581	Front Cover
14	P-10314	Secondary Filter (Foam)
15	P-0114	Wheel
16	P-111588	Shaft (Wheel)
17	P-74009	Stopper (Wheel)
18	P-11277	Washer (Wheel)

Index	Part No.	Description
19	P-145M	Dust Bag (Paper)
20	P-10315	Protector Cover
21	P-6096	Protector
22	P-10316	Protector Spring
23	P-6140	Screw (Front Cover)
24	P-10602	On-off Switch
25	P-9907	Handle Screw
26	P-10697	Packing (right)
27	P-5860	Packing (left)
28	P-11273	Dust Cover
29	P-3820	Wire Cord
30	P-000040	Exhaust Filter (Foam)
31	P-1847	Hose
32	P-111726	Dusting brush
33	P-60104	Wand (without tabs)
34	P-111583	Handle
35	P-111584	Handle cap
36	P-7035	Upper Cord Storage Hook

MOTOR



Index	Part No.	Description
1	P-0293	Motor Support, Rubber (Front)
2	P-10846	Fan Motor Unit
3	P-8182	Carbon Brush Assembly
4	P-9823	Screw (Carbon Brush Assembly)
5	P-8184	Ring Spacer
6	P-8183	Motor Support, Rubber (rear)
7	P-9931	Noise Suppressor
8	P-000623	Wire Connector
9	P-11092	Packing (rear cover)
10	P-111585	Motor case
11	P-6140	Screw (Motor case)
12	P-11276	Fuse Assembly
13	P-10712	Lead Wire