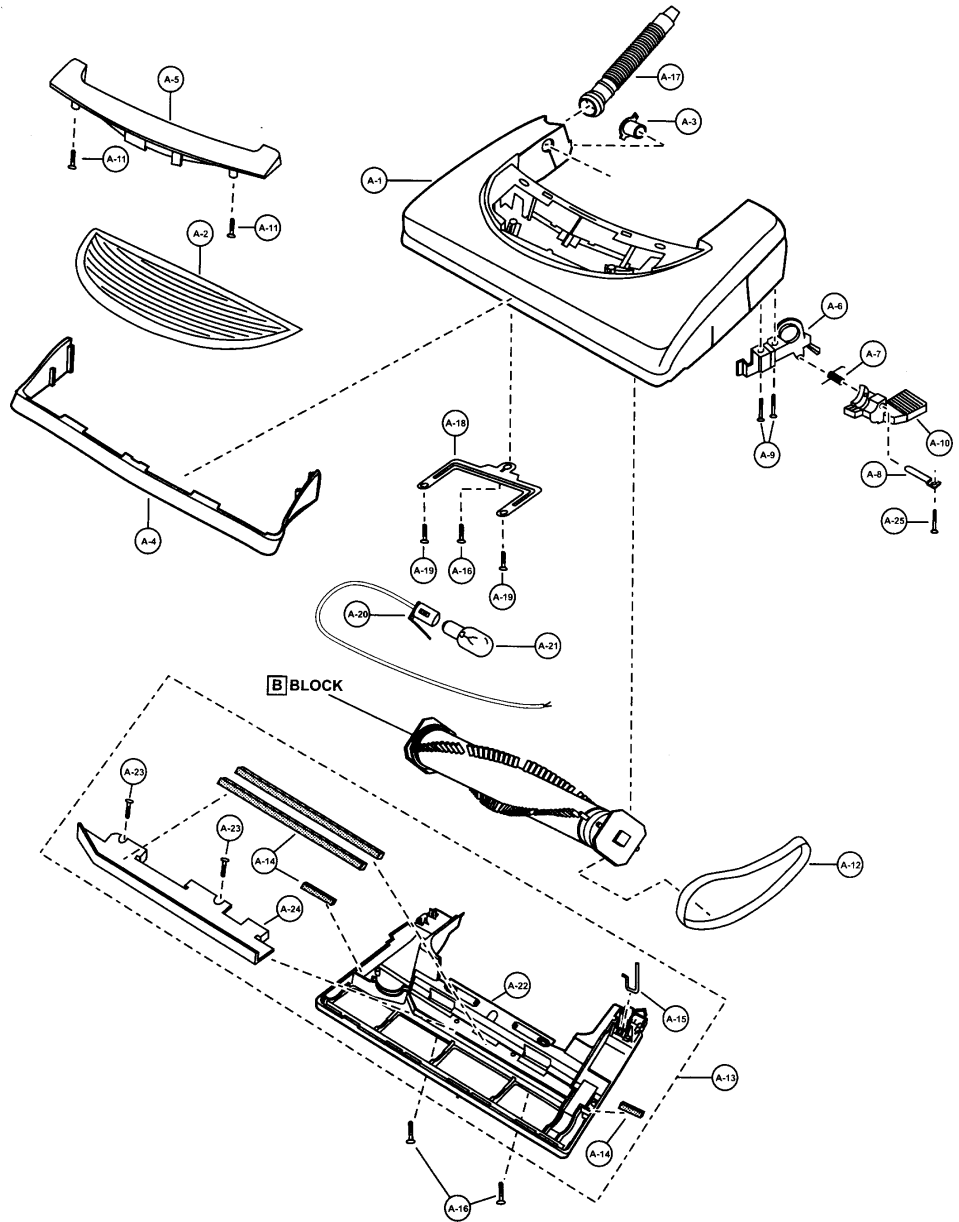


Models: MC-V5726

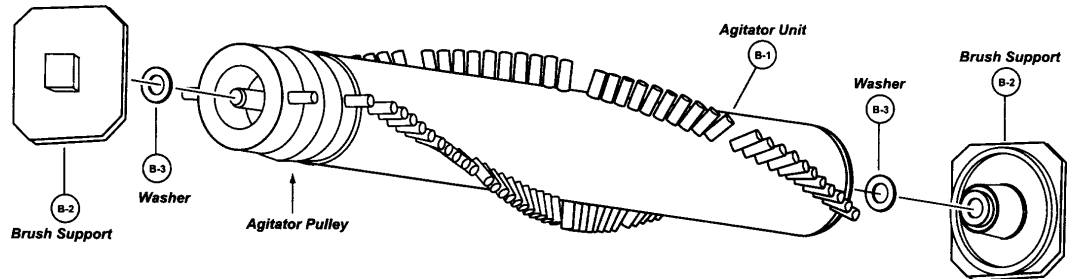
Nozzle Housing

- 1 P-111234 Nozzle housing
- 2 P-9854 Window
- 3 P-10819 Shaft, plastic
- 4 P-10541 Furniture guard
- 5 P-111414 Light cover
- 6 P-000095 Frame
- 7 P-9857 Spring, pedal
- 8 P-513 Shaft, pedal
- 9 P-4104 Screw, handle release assembly
- 10 P-4720 Pedal, black
- 11 P-8172 Screw, light cover
- 12 P-V270B Belt
- 13 P-10724 Lower plate assembly
- 14 P-10394 Packing, lower plate
- 15 P-9861 Belt cover
- 16 P-6800 Screw, lower plate/slider support
- 17 P-9862 Nozzle hose, short
- 18 P-10353 Slider support
- 19 P-6140 Screw, slider support
- 20 P-9367 Socket, bulb
- 21 P-7550 Bulb
- 22 P-10725 Lower plate
- 23 P-6140 Screw, body lower plate
- 24 P-9766 Body lower plate
- 25 P-6140 Screw, handle release assembly



Agitator Assembly

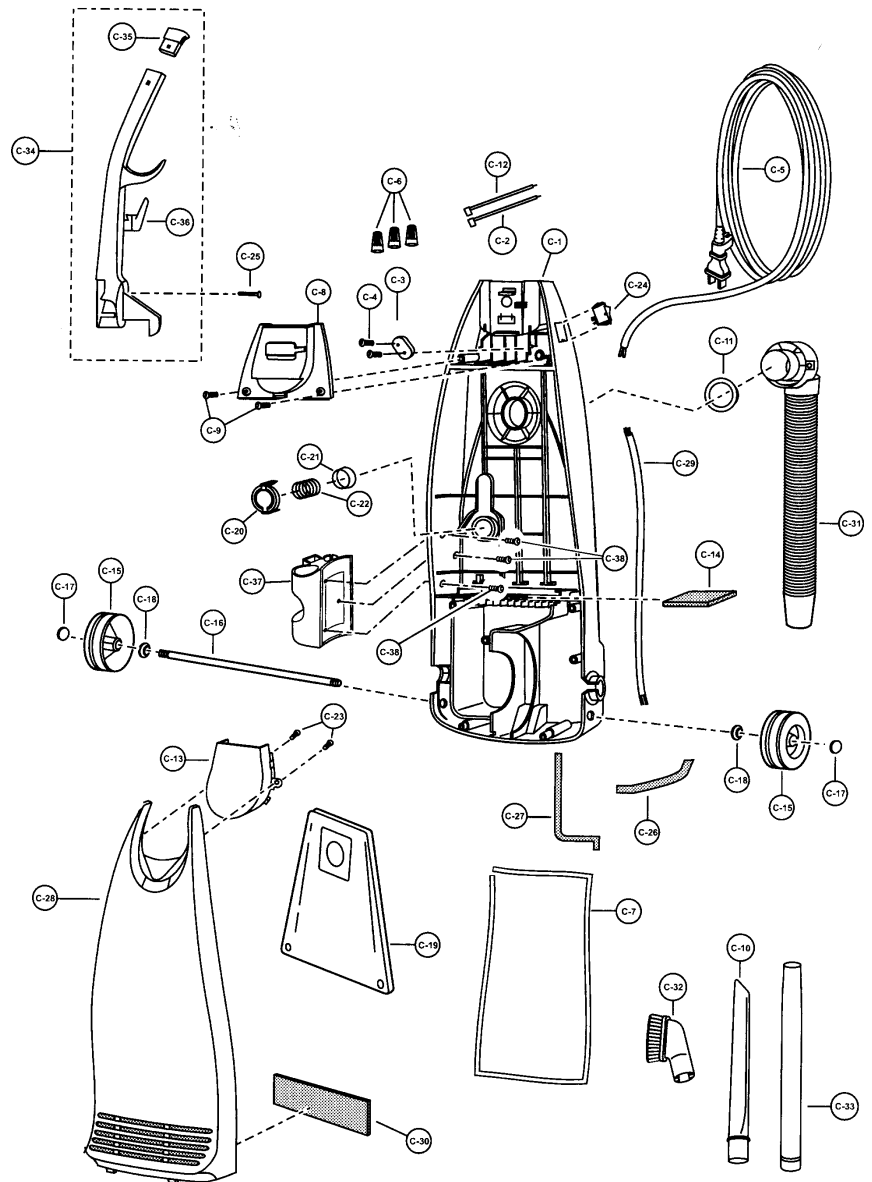
- 1 P-10650 Agitator unit
- 2 P-7095 Brush support
- 3 P-0030 Washer



Models: MC-V5726

Body

- 1 P-10843 Dust compartment unit
- 2 P-10583 Lead wire
- 3 P-0698 Cord stopper
- 4 P-6140 Screw, cord stopper
- 5 P-11018 Power cord
- 6 P-000623 Wire connector
- 7 P-10309 Packing, dust compartment
- 8 P-10312 Switch cover
- 9 P-6140 Screw, switch cover
- 10 P-6069 Crevice tool
- 11 P-10512 Packing, suction inlet
- 12 P-4410 Lead wire
- 13 P-10313 Front cover
- 14 P-10314 Secondary filter, foam
- 15 P-0114 Wheel
- 16 P-10968 Shaft, wheel
- 17 P-74009 Stopper, wheel
- 18 P-6115 Washer, wheel
- 19 P-145M Dust bag, electrostatic
- 20 P-10315 Protector cover
- 21 P-6096 Protector
- 22 P-10316 Protector spring, red
- 23 P-6140 Screw, front cover
- 24 P-10602 On/off switch
- 25 P-9907 Handle screw
- 26 P-10317 Packing, right
- 27 P-5860 Packing, left
- 28 P-111235 Dust cover
- 29 P-3820 Wire cord
- 30 P-10600 Exhaust filter, HEPA
- 31 P-10867 Hose
- 32 P-11208 Dusting brush
- 33 P-60104 Extension wand, without tabs
- 34 P-10845 Handle assembly
- 35 P-10322 Handle cap
- 36 P-10323 Upper cord storage hook
- 37 P-10863 Wand holder
- 38 P-6140 Screw, wand holder



Motor Case and Motor

- 1 P-0293 Motor support rubber, front
- 2 P-10846 Fan motor unit
- 3 P-8182 Carbon brush assembly
- 4 P-9823 Screw, carbon brush assembly
- 5 P-8184 Ring spacer
- 6 P-8183 Motor support rubber, rear
- 7 P-10670 Noise suppressor
- 8 P-000623 Wire connector
- 9 P-11092 Packing, rear cover
- 10 P-11196 Motor case
- 11 P-6140 Screw, motor case
- 12 P-10712 Lead wire
- 13 P-10848 Lead wire assembly

