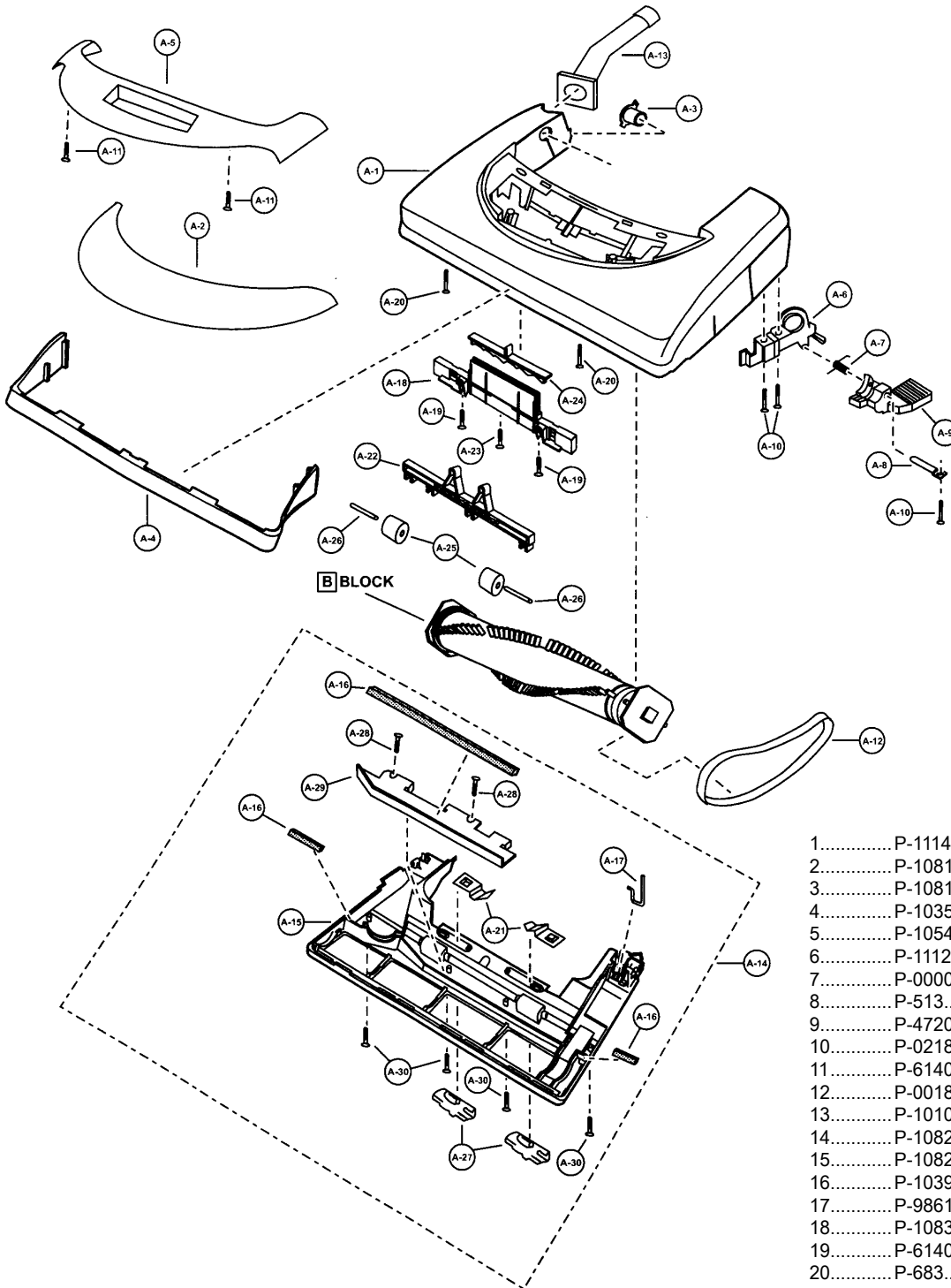


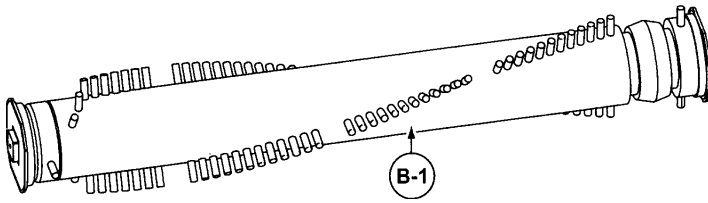
Nozzle Housing



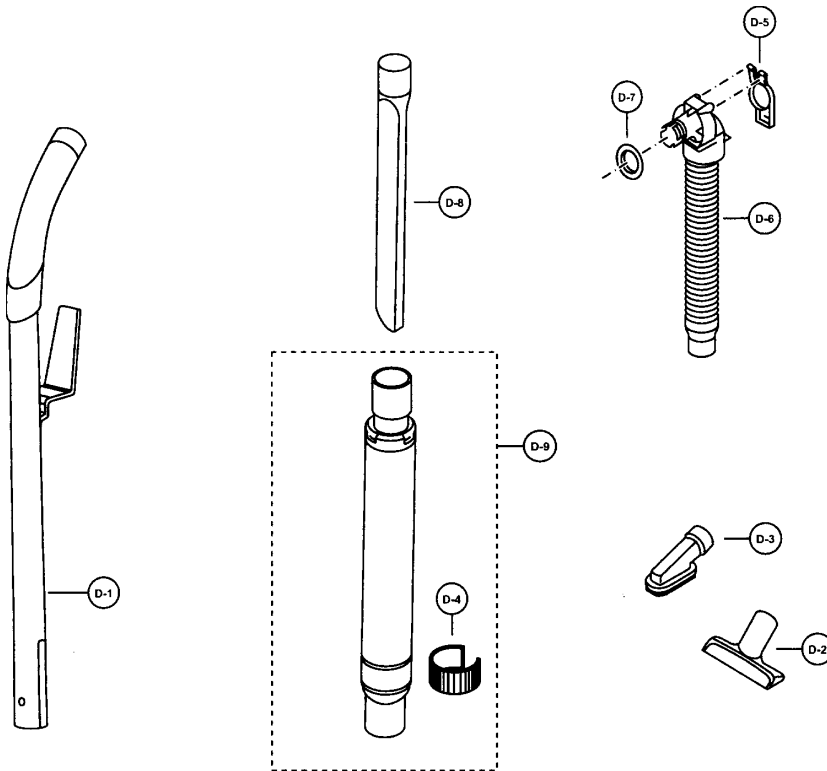
- | | | |
|---------|----------------|--------------------------|
| 1..... | P-111486..... | Nozzle housing |
| 2..... | P-10818..... | Window |
| 3..... | P-10819..... | Shaft, plastic |
| 4..... | P-10351..... | Furniture guard |
| 5..... | P-105410..... | Light cover |
| 6..... | P-111251..... | Bracket, handle release |
| 7..... | P-000010..... | Spring, pedal |
| 8..... | P-513..... | Shaft, pedal |
| 9..... | P-4720..... | Pedal, handle release |
| 10..... | P-02181..... | Screw, frame |
| 11..... | P-6140..... | Screw, light cover |
| 12..... | P-00181..... | Belt |
| 13..... | P-10108..... | Nozzle pipe |
| 14..... | P-10821..... | Lower plate assembly |
| 15..... | P-10822..... | Lower plate |
| 16..... | P-10394..... | Packing, lower plate |
| 17..... | P-9861..... | Belt guard |
| 18..... | P-10832..... | Slider support |
| 19..... | P-6140..... | Screw, slider support |
| 20..... | P-683..... | Screw, nozzle |
| 21..... | P-9846..... | Stop latch spring |
| 22..... | P-10528..... | Height adjustment cam |
| 23..... | P-6800..... | Screw, slider support |
| 24..... | P-10527..... | Sliding knob |
| 25..... | P-111284..... | Wheel |
| 26..... | P-10357..... | Shaft, wheel |
| 27..... | P-2444..... | Latch |
| 28..... | P-0001322..... | Screw, body lower plate |
| 29..... | P-9766..... | Body, lower plate |
| 30..... | P-98104..... | Screw, metal lower plate |

Agitator Assembly

1..... P-10809..... Agitator unit

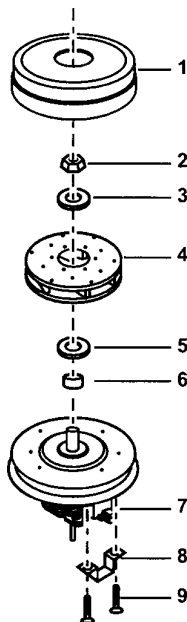


Handle, Hose, and Attachments



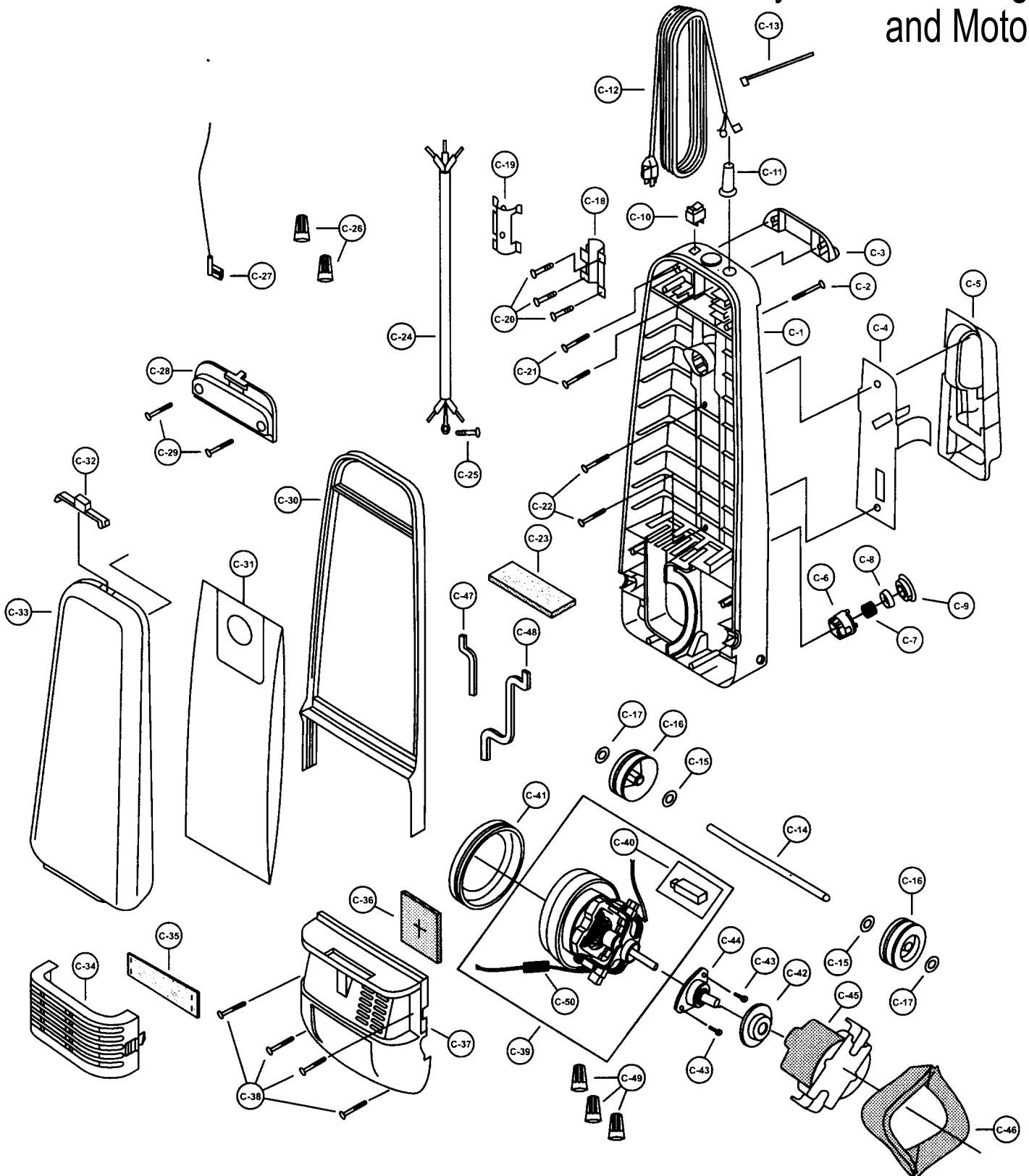
- 1..... P-111487 Handle assembly
- 2..... P-6620..... Upholstery nozzle
- 3..... P-6088..... Dusting brush
- 4..... P-10562..... Suction control
- 5..... P-111450 Suction inlet cover
- 6..... P-10561..... Hose unit, stretch
- 7..... P-9894..... Packing, suction inlet
- 8..... P-6069..... Crevice tool
- 9..... P-111488 Wand, telescopic

Motor Fan Assembly



- 1..... P-000067..... Fan case
- 2..... P-000068..... Nut
- 3..... P-000621..... Washer (a)
- 4..... P-000152..... Fan
- 5..... P-6206..... Washer (b)
- 6..... P-10329..... Spacer
- 7..... P-270091..... Brush assembly
- 8..... P-0036..... Bracket
- 9..... P-0037..... Screws

Body, Motor Housing, and Motor



Body, Motor Housing, and Motor

1.....	P-10563.....	Dust compartment
2.....	P-7330.....	Screw, handle
3.....	P-10545.....	Carry handle
4.....	P-10546.....	Support plate
5.....	P-10547.....	Tool holder
6.....	P-111417.....	Protector case
7.....	P-692.....	Spring, protector, blue
8.....	P-000057.....	Protector
9.....	P-111416.....	Protector supporter
10.....	P-10602.....	Switch, on/off
11.....	P-10389.....	Rubber protector
12.....	P-10823.....	Power cord, 50 ft.
13.....	P-00104.....	Wire tie
14.....	P-10968.....	Shaft, wheel
15.....	P-6115.....	Washer, wheel
16.....	P-0062.....	Wheel
17.....	P-74009.....	Stopper, wheel
18.....	P-2486.....	Fitting, handle
19.....	P-10549.....	Supporter, handle
20.....	P-8172.....	Screw, handle supporter
21.....	P-6140.....	Screw, carry handle
22.....	P-6140.....	Screw, tool holder
23.....	P-3780.....	Filter, secondary
24.....	P-10551.....	Wire cord
25.....	P-9912.....	Screw, grounding
26.....	P-000623.....	Wire connector, switch area
27.....	P-4410.....	Lead wire, black
28.....	P-10552.....	Switch cover
29.....	P-6140.....	Screw, switch cover
30.....	P-111476.....	Bumper
31.....	P-111387.....	Dust bag
32.....	P-10628.....	Release button, dust cover
33.....	P-10824.....	Dust cover
34.....	P-111478.....	Filter cover
35.....	P-111479.....	Filter, electrostatic exhaust
	P-MCV197H.....	Filter, HEPA
36.....	P-10558.....	Filter, motor case
37.....	P-111480.....	Motor case
38.....	P-8172.....	Screw, motor case
39.....	P-10533.....	Motor assembly
40.....	P-2700091.....	Carbon brush, motor
41.....	P-0293.....	Motor support, front
42.....	P-9911.....	Motor support, rear
43.....	P-9912.....	Screw, motor flange
44.....	P-11436.....	Motor flange
45.....	P-93033.....	Motor cover
46.....	P-10670.....	Noise suppressor
47.....	P-5860.....	Body packing, left
48.....	P-3990.....	Body packing, right
49.....	P-000623.....	Wire connector, motor area
50.....	P-10816.....	Lead wire assembly