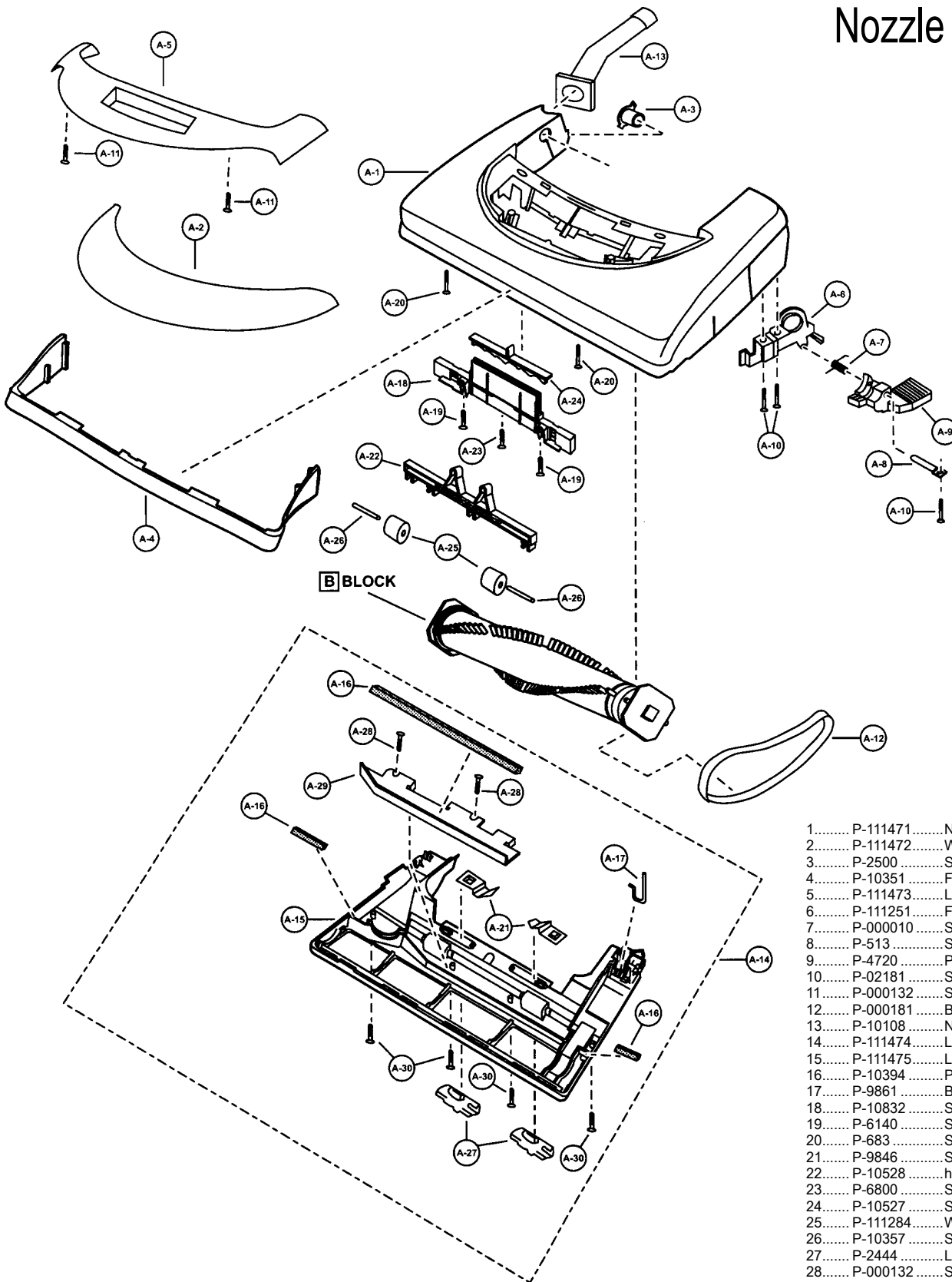
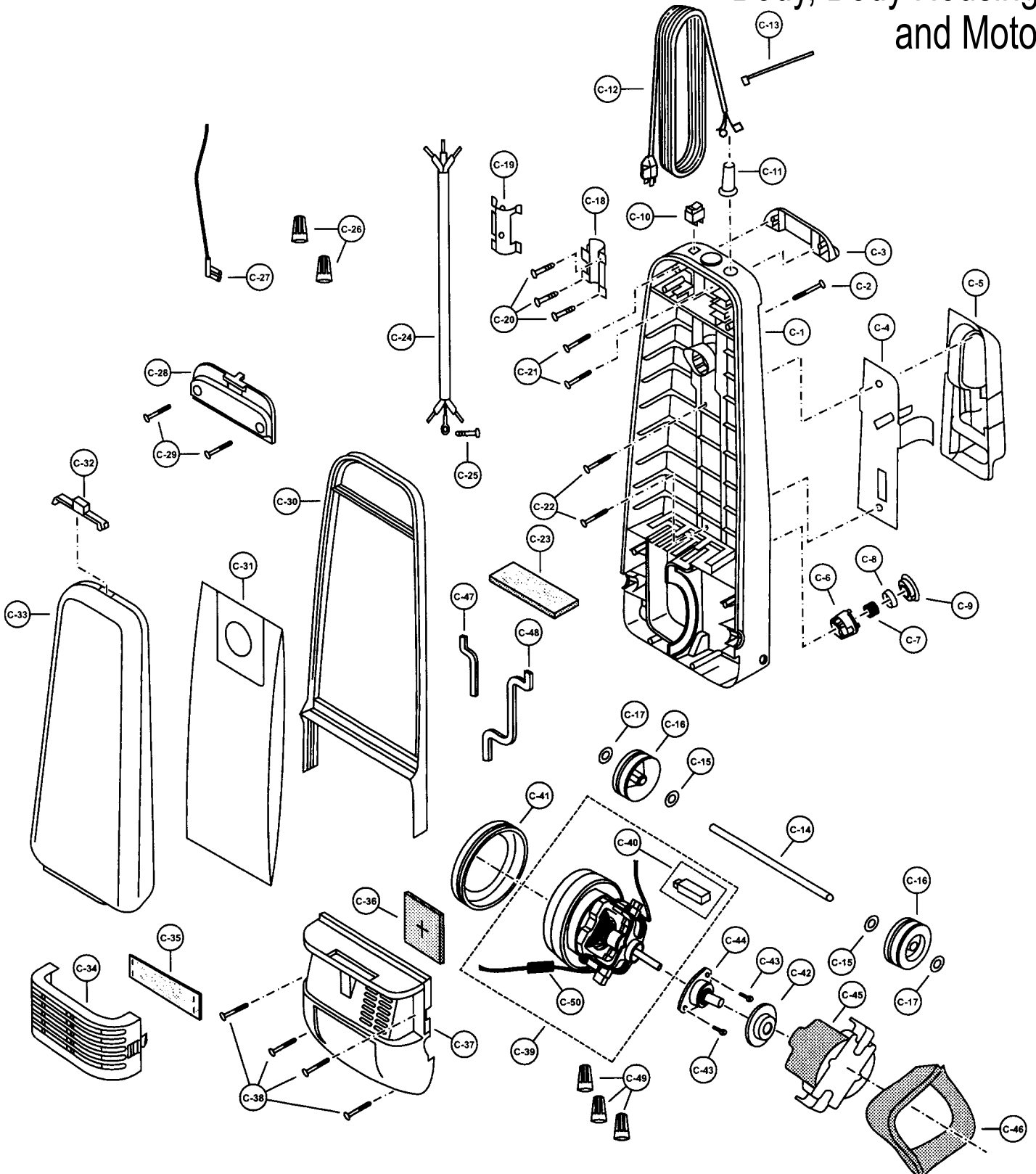


## Nozzle Assembly



- 1..... P-111471 .....Nozzle housing
- 2..... P-111472 .....Window
- 3..... P-2500 .....Shaft, plastic
- 4..... P-10351 .....Furniture guard
- 5..... P-111473 .....Light cover
- 6..... P-111251 .....Frame, handle release
- 7..... P-000010 .....Spring, pedal
- 8..... P-513 .....Shaft, pedal
- 9..... P-4720 .....Pedal, handle release
- 10..... P-02181 .....Screw, frame
- 11..... P-000132 .....Screw, light cover
- 12..... P-000181 .....Belt
- 13..... P-10108 .....Nozzle pipe
- 14..... P-111474 .....Lower plate assembly
- 15..... P-111475 .....Lower plate
- 16..... P-10394 .....Packing, lower plate
- 17..... P-9861 .....Belt guard
- 18..... P-10832 .....Slider support
- 19..... P-6140 .....Screw, slider support
- 20..... P-683 .....Screw, nozzle
- 21..... P-9846 .....Stop latch spring
- 22..... P-10528 .....height adjustment cam
- 23..... P-6800 .....Screw, slider support
- 24..... P-10527 .....Sliding knob
- 25..... P-111284 .....Wheel
- 26..... P-10357 .....Shaft, wheel
- 27..... P-2444 .....Latch
- 28..... P-000132 .....Screw, body lower plate
- 29..... P-9766 .....Body, lower plate
- 30..... P-98104 .....Screw, metal lower plate

## Body, Body Housing, and Motor



### Body, Body Housing, and Motor

- 1..... P-98107 ..... Dust compartment
- 2..... P-7330 ..... Screw, handle
- 3..... P-10545 ..... Carry handle
- 4..... P-10546 ..... Support plate
- 5..... P-10547 ..... Tool holder
- 6..... P-111417 ..... Protector case
- 7..... P-692 ..... Spring, protector, blue
- 8..... P-000057 ..... Protector
- 9..... P-111416 ..... Protector supporter
- 10..... P-10602 ..... Switch, On/Off
- 11..... P-10389 ..... Rubber protector
- 12..... P-10823 ..... Power cord, 50 ft
- 13..... P-00104 ..... Wire tie
- 14..... P-10968 ..... Shaft, wheel
- 15..... P-6115 ..... Washer, wheel
- 16..... P-0062 ..... Wheel
- 17..... P-74009 ..... Stopper, wheel
- 18..... P-2486 ..... Fitting, handle
- 19..... P-10549 ..... Suporter, handle
- 20..... P-8172 ..... Screw, handle supporter
- 21..... P-8172 ..... Screw, carry handle
- 22..... P-8172 ..... Screw, tool holder
- 23..... P-3780 ..... Filter, secondary
- 24..... P-10551 ..... Wire cord
- 25..... P-9912 ..... Screw, grounding
- 26..... P-000623 ..... Wire connector, switch area
- 27..... P-4410 ..... Lead wire, blackt
- 28..... P-10552 ..... Switch cover
- 29..... P-000132 ..... Screw, switch cover
- 30..... P-111476 ..... Bumper
- 31..... P-111477 ..... Dust bag
- 32..... P-10628 ..... Release button, dust cover
- 33..... P-10205 ..... Dust cover
- 34..... P-111478 ..... Filter cover
- 35..... P-111479 ..... Filter, electrostatic exhust
- 36..... P-10558 ..... Filter, motor case
- 37..... P-111480 ..... Motor case
- 38..... P-8172 ..... Screw, motor case
- 39..... P-10533 ..... Motor assembly
- 40..... P-270091 ..... Carbon brush, motor
- 41..... P-0293 ..... Motor support, front
- 42..... P-9911 ..... Motor support, rear
- 43..... P-9912 ..... Screw, motor flange
- 44..... P-111436 ..... Motor flange
- 45..... P-93033 ..... Motor cover
- 46..... P-10670 ..... Noise suppressor
- 47..... P-5860 ..... Body packing, left
- 48..... P-3990 ..... Body packing, right
- 49..... P-000623 ..... Wire connector, motor area
- 50..... P-10816 ..... Lead wire assembly

- 1..... P-111553..... Agitator unit

### Agitator Assembly

