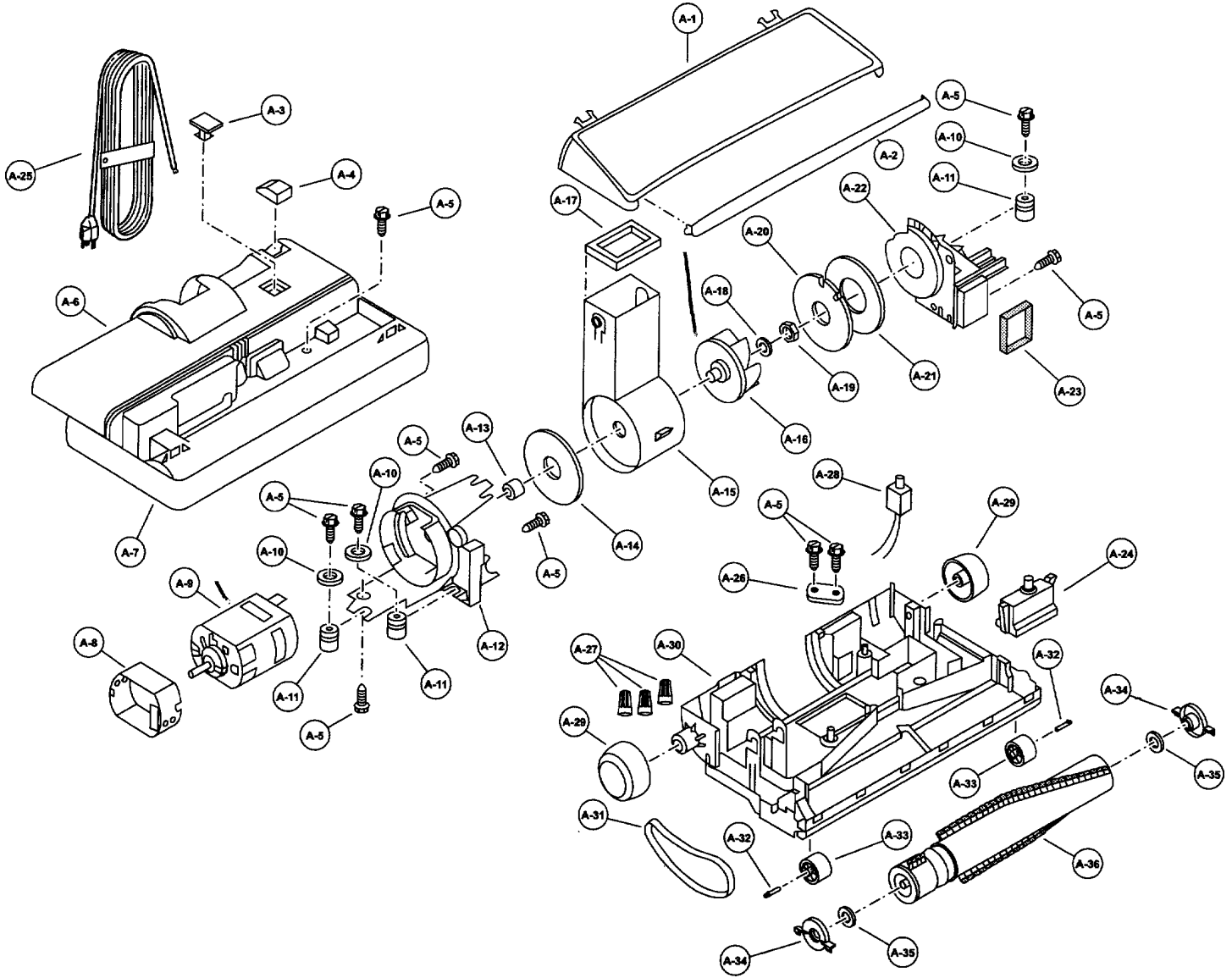


Nozzle Housing

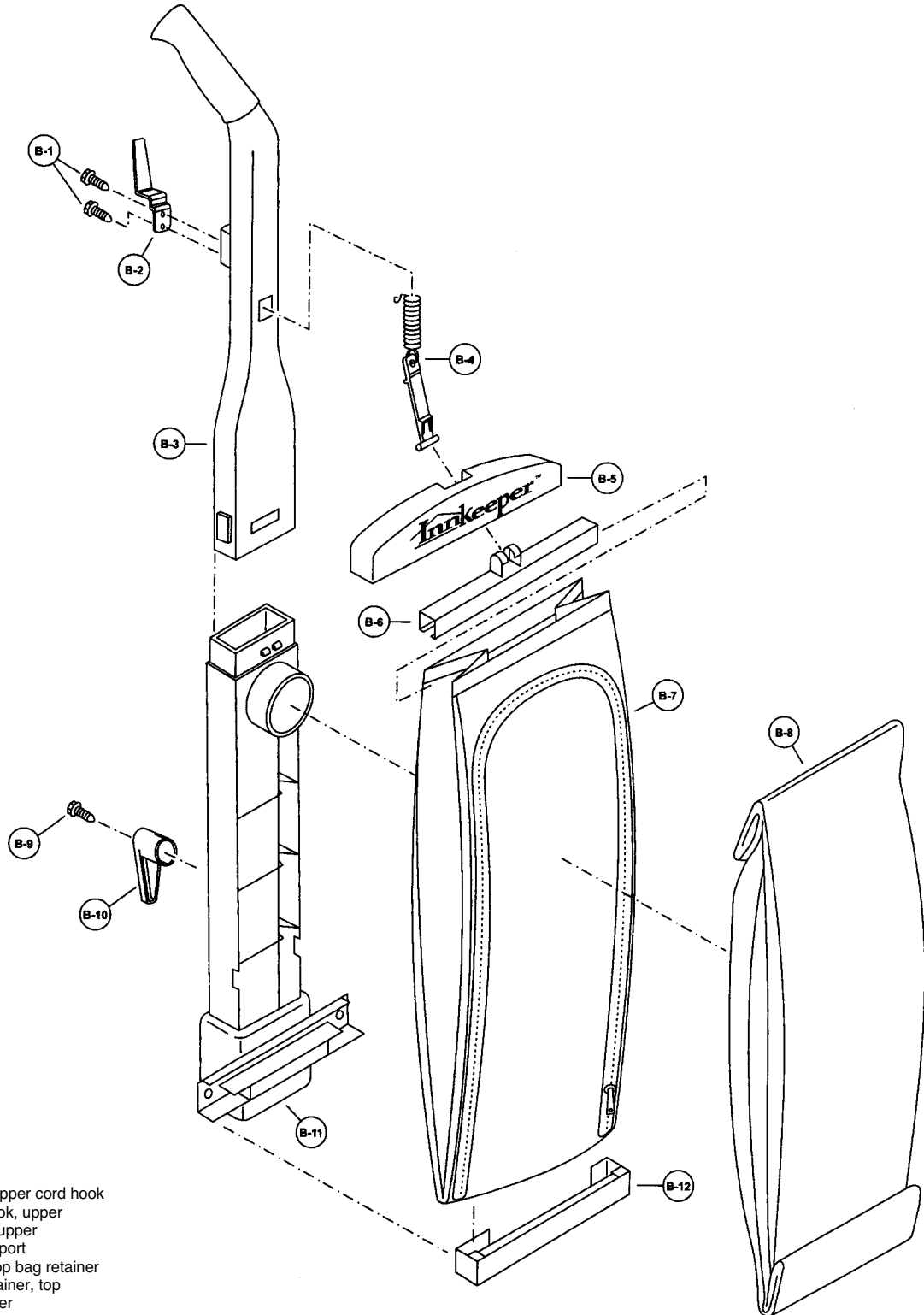


- 1 P-10564 Nozzle Cover, front
- 2 P-10565 Insert, nozzle cover
- 3 P-10566 Button, on/off switch
- 4 P-10567 Button, overload protector
- 5 P-000342 Screw
- 6 P-10568 Nozzle Cover, main
- 7 P-10569 Furniture Guard
- 8 P-10570 Shroud, motor
- 9 P-10571 Motor
- 10 P-10572 Washer
- 11 P-10573 Grommet, rubber
- 12 P-10574 Motor Mount
- 13 P-10575 Seal, motor shaft

- 14 P-10576 Seal A, swivel
- 15 P-10577 Swivel
- 16 P-10578 Impeller
- 17 P-10579 Packing, air outlet
- 18 P-10580 Washer, impeller
- 19 P-10581 Nut, impeller
- 20 P-10582 Plate, swivel
- 21 P-10583 Seal B, swivel
- 22 P-10584 Elbow, air intake
- 23 P-10585 Gasket, air intake elbow
- 24 P-10586 Overload Protector
- 25 P-10587 Power Cord
- 26 P-62001 Retainer, power cord

- 27 P-000623 Wire Connector
- 28 P-10588 On/Off Switch
- 29 P-10584 Wheel, rear
- 30 P-10590 Nozzle Base
- 31 P-MCV10B ... Belt, sold each
- 32 P-10357 Axle Shaft
- 33 P-10591 Wheel, front
- 34 P-000361 End Cap, agitator
- 35 P-0030 Washer, agitator
- 36 P-10592 Agitator

Handle, Bag Cover & Dust Bag



- 1 P-6800 Screw, upper cord hook
- 2 P-000633 Cord Hook, upper
- 3 P-10593 Handle, upper
- 4 P-10594 Bag Support
- 5 P-10595 Cover, top bag retainer
- 6 P-53701 Bag Retainer, top
- 7 P-10596 Bag Cover
- 8 P-MCV10P ... Paper Bag, U9, each
- 9 P-6140 Screw, lower cord hook
- 10 P-10597 Cord Hook, lower
- 11 P-10598 Handle, lower
- 12 P-65007 Bag Retainer, bottom