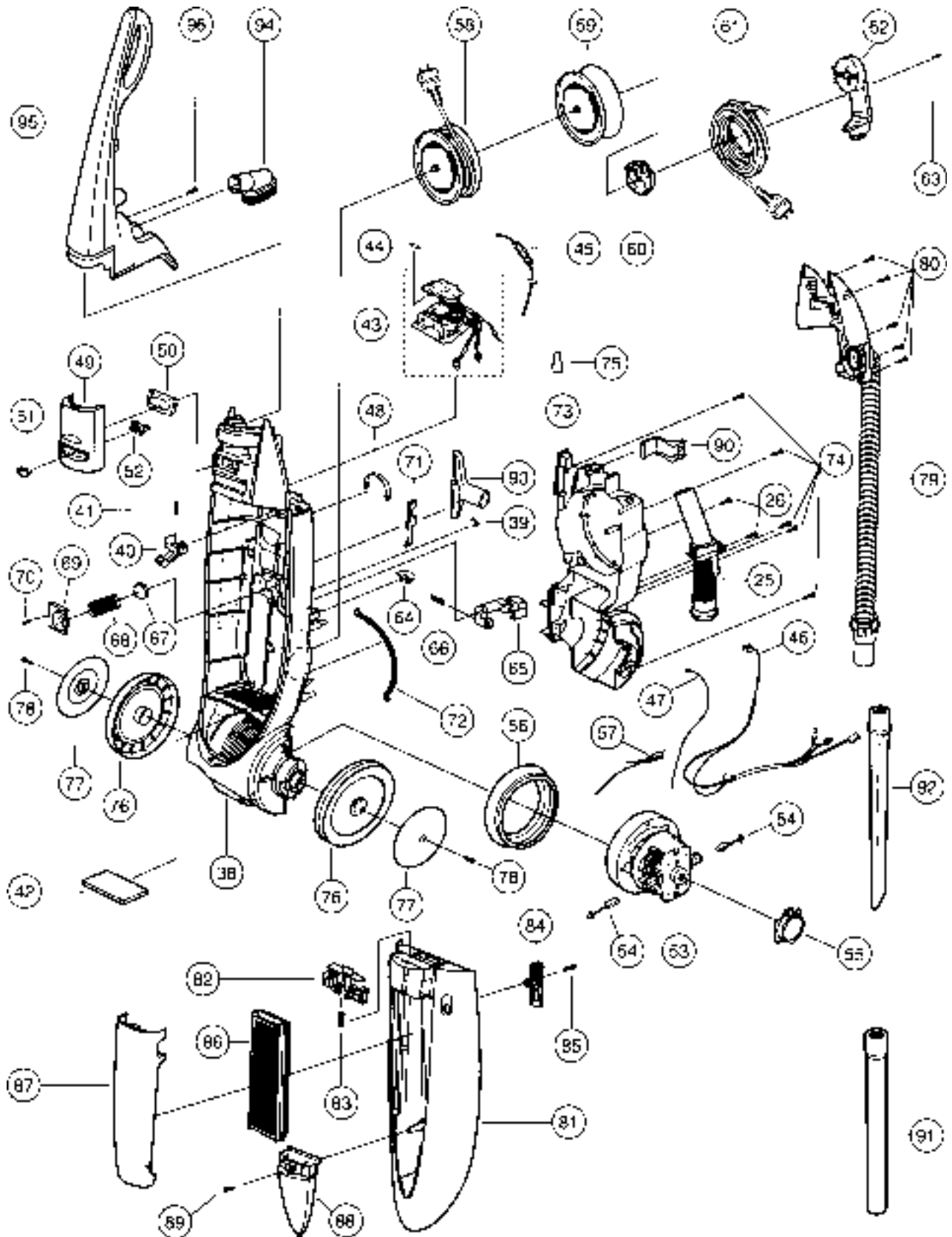
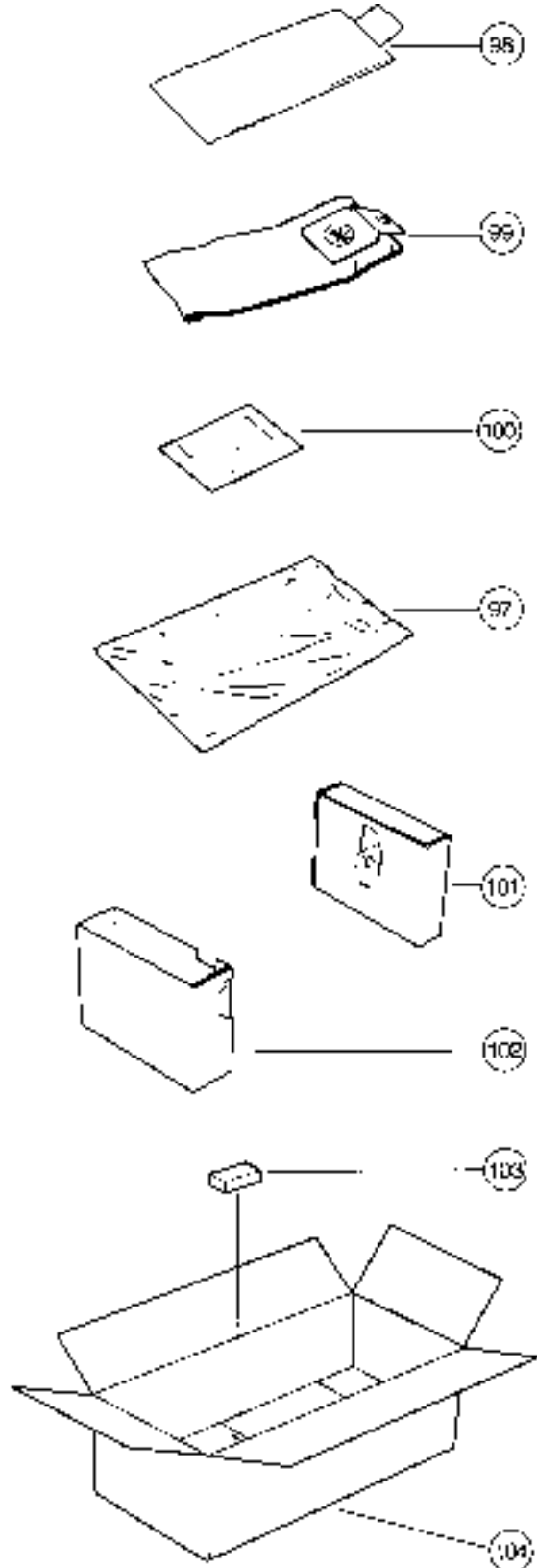
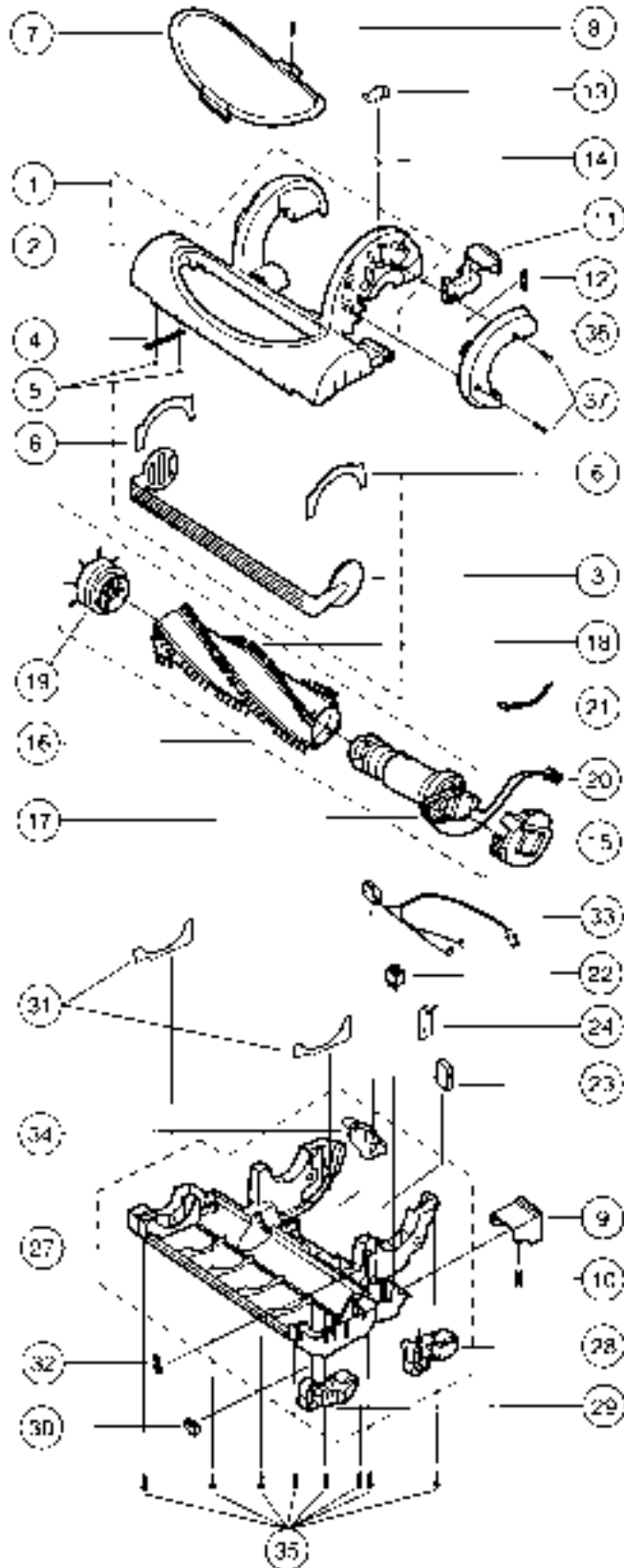


Models: MC-E583



Models: MC-E583



Models: MC-E583

1	P-10975	Floor nozzle cover assembly	53	P-11047	Motor unit SDS
2	P-10976	Floor nozzle cover	54	P-11048	Carbon brush
3	P-10977	Floor nozzle bumper	55	P-11049	rear motor support
4	P-10978	Filter, nozzle cover	56	P-11050	Front motor support
5	P-10979	Fixing washer	57	P-11051	thermal cut out unit
6	P-11214	Agitator, felt A	58	P-11052	cord reel assembly
7	P-11215	View, agitator	59	P-11053	Cord reel
8	P-04180	Tapping screw	60	P-111314	Rail base unit
9	P-10980	Agitator pedal	61	P-11054	Power supply cord
10	P-10981	spring	62	P-11055	Cord reel support unit
11	P-10982	Floor nozzle pedal	63	P-11056	Tapping screw
12	P-10983	Spring	64	P-11057	Cord cover
13	P-10984	Frame	65	P-11058	Brake lever unit
14	P-10985	Frame spring	66	P-11059	Spring
15	P-10986	Agitator support A	67	P-11060	Valve
16	P-10987	Agitator unit	68	P-11061	Valve spring
17	P-10988	Agitator motor	69	P-11062	Valve case
18	P-10989	Agitator body	70	P-04180	Tapping screw
19	P-10990	Agitator side brush	71	P-11063	Cable cover
20	P-19991	Lead wire A	72	P-11064	Cable cover B
21	P-10992	Thermal cut out, agitator	73	P-11065	Upper body
22	P-10993	On/Off switch, agitator	74	P-04180	Tapping screw
23	P-10994	Overcurrent circuit breaker	75	P-11066	Wire connector
24	P-10995	Insulating plate	76	P-11067	Wheel
25	P-10996	Conexion pipe unit	77	P-11068	Wheel cap
26	P-04180	Tapping screw	78	P-11069	Fixing screw
27	P-10997	Base plate assembly	79	P-11070	Hose assembly
28	P-10998	Fixing wheel unit A	80	P-04180	Tapping screw
29	P-10999	Fixing wheel unit B	81	P-11071	Dust cover
30	P-11001	Brush unit	82	P-11072	Locking
31	P-11002	Rotary felt B	83	P-11073	Locking spring
32	P-11003	Foam seal	84	P-11074	Dust indicator
33	P-11004	Agitator safety switch	85	P-04180	Tapping screw
34	P-11005	Safety lever unit	86	P-11075	Exhaust filter, HEPA
35	P-04180	Tapping screw	87	P-11076	Exhaust cover
36	P-11006	Connections cover	88	P-11077	End exhaust cover
37	P-4121	Tapping screw	89	P-04180	Tapping screw
38	P-11008	Lower body assembly	90	P-11078	Extension tube support
39	P-11009	Upholstery nozzle clip	91	P-11079	Extension tube
40	P-11010	Paper bag clamp	92	P-11080	Crevice tool
41	P-11036	Spring	93	P-11081	Upholstery nozzle
42	P-11037	Central filter	94	P-11088	Dusting brush
43	P-11038	Power control circuit	95	P-11083	Handle unit
44	P-111249	Fuse T6, time lag	96	P-11084	Handle screw
45	P-11039	Fuse unit	97	P-11085	Set cover
46	P-11040	Lead wire D	98	P-11086	Paper bag, 5 pk
47	P-11041	Lead wire B	99	P-11087	Cloth dust bag, reusable
48	P-11042	Sensor cover	101	P-11088	Cushion A
49	P-11043	Control panel	102	P-11089	Cushion B
50	P-11044	LED indicator	103	P-11090	Cushion supplement A
51	P-11045	Potentiometer button	104	P-11091	Carton box
52	P-11046	Button supplement			