

PANASONIC

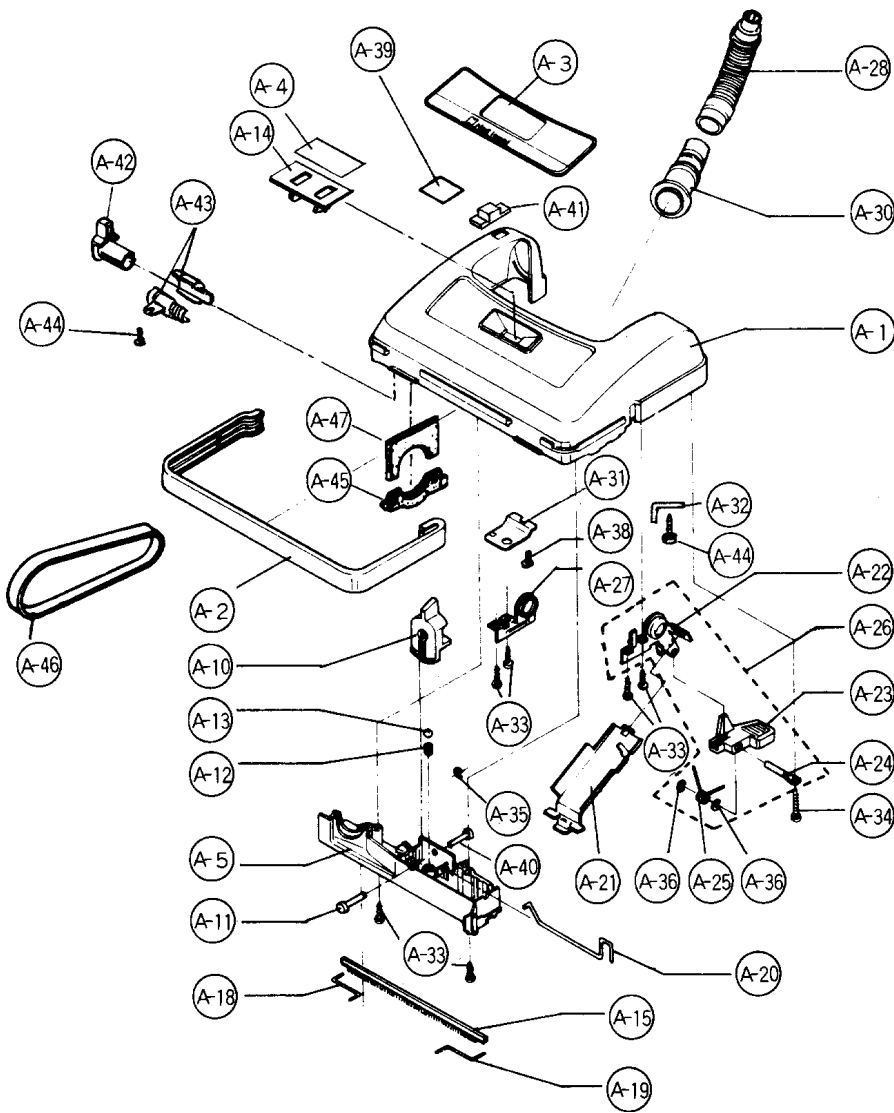
Apartment Size Uprights

Models: MC-655, MC-658

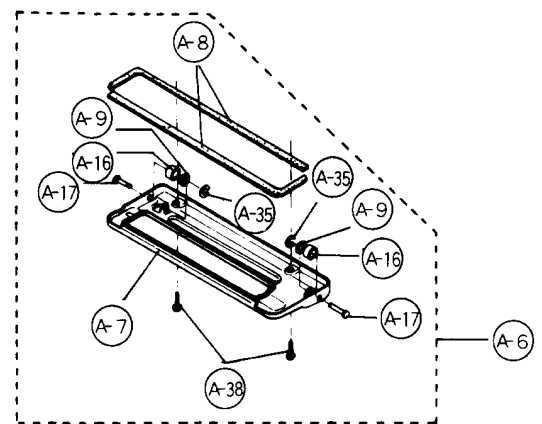
Body Unit

(MC-658 Only)

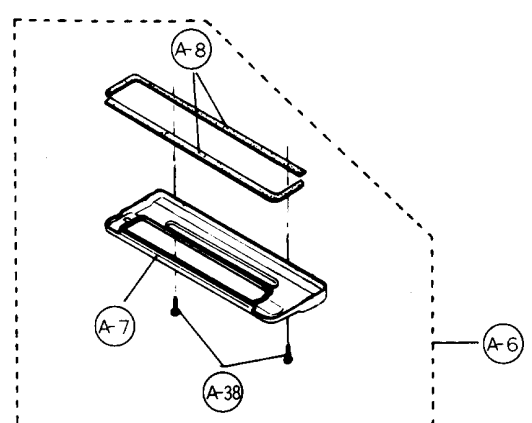
(MC-655 Only)



(MC-658 Only)



(MC-655 Only)

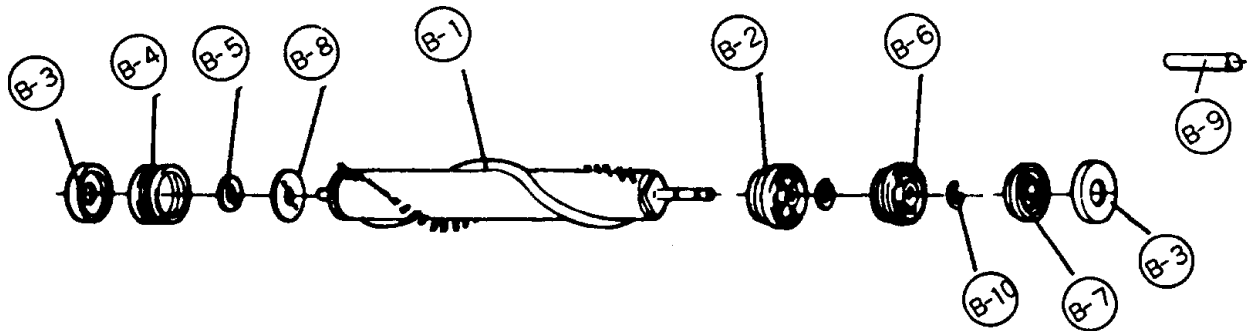


- | | | | | | | | | |
|----|--------------|---|----|--------------|--|-----|--------------|--------------------------------------|
| 1 | P-010 | Nozzle Housing | 16 | P-364 | Roller, floor nozzle, 658 | 33 | P-46 | Screw, frame |
| 2 | P-0100 | Furniture Guard | 17 | P-501 | Shaft, roller, floor nozzle, 658 | 34 | P-430 | Screw, pedal shaft |
| 3 | N/A | Top Mark, 655 | 18 | P-5200 | Spring (A), 658 | 35 | P-3 | E-Clip, 658 |
| 3 | N/A | Top Mark, 658 | 19 | P-5300 | Spring (B), 658 | 36 | P-05 | E-Clip, 30 pk |
| 5 | P-030 | Nozzle Support | 20 | P-5600 | Switch Lever, agitator, 658 | 37 | P-680 | Screw, alarm switch cover, 658 |
| 6 | P-913 | Bottom Plate Assy, 655 | 21 | P-4301 | Belt Cover | 38 | P-4100 | Screw |
| 6 | P-910 | Bottom Plate Assy, 658 | 22 | P-4302 | Frame | 40 | P-123 | Body Cap |
| 7 | P-2730 | Bottom Plate Only, 655 | 23 | P-4700 | Pedal, left | 41 | P-63 | Body Plate |
| 7 | P-2700 | Bottom Plate Only, 658 | 24 | P-1501 | Shaft, pedal | 42 | P-61 | Alarm Switch Lever, 658 |
| 8 | P-1900 | Gasket, bottom plate (packing) | 25 | P-5800 | Spring, pedal, right | 43A | P-1 | Alarm Housing A, 658 |
| 9 | P-851 | Spacer, bottom plate, 658 | 26 | P-800 | Pedal Assembly | 43B | P-2 | Alarm Housing B, 658 |
| 10 | P-1800 | Agitator Switch, 658 | 27 | N/A | Metal Bracket | 44 | P-4100 | Screw |
| 11 | P-390 | Shaft, agitator switch, 658 | 28 | N/A | Inlet Hose Only, 658 | 45 | P-821 | Agitator Holder, lower |
| 12 | P-2435 | Spring, floor nozzle stopper, 658 | 29 | P-3400 | Inlet Hose, complete, 655 | 46 | P-283 | Belt, 'UB1', 2 pack |
| 13 | P-815 | Steel Ball, 658 | 30 | P-700 | Elbow, hose, 658 | 46 | P-125 | Belt, 2 pack (R) |
| 14 | P-093 | Body Front Plate, 655 | 31 | P-170 | Alarm Switch Cover, 658 | 47 | P-822 | Agitator Holder, upper |
| 15 | P-3800 | Floor Nozzle Brush, 658 | 32 | P-573 | Belt Tension Shaft, 655 | | | |

PHONE: 1-800-822-7467 FAX: 847-647-0534 E-MAIL: sales@hescoinc.com WEB: www.hescoinc.com

Models: MC-655, MC-658

Agitator Assembly

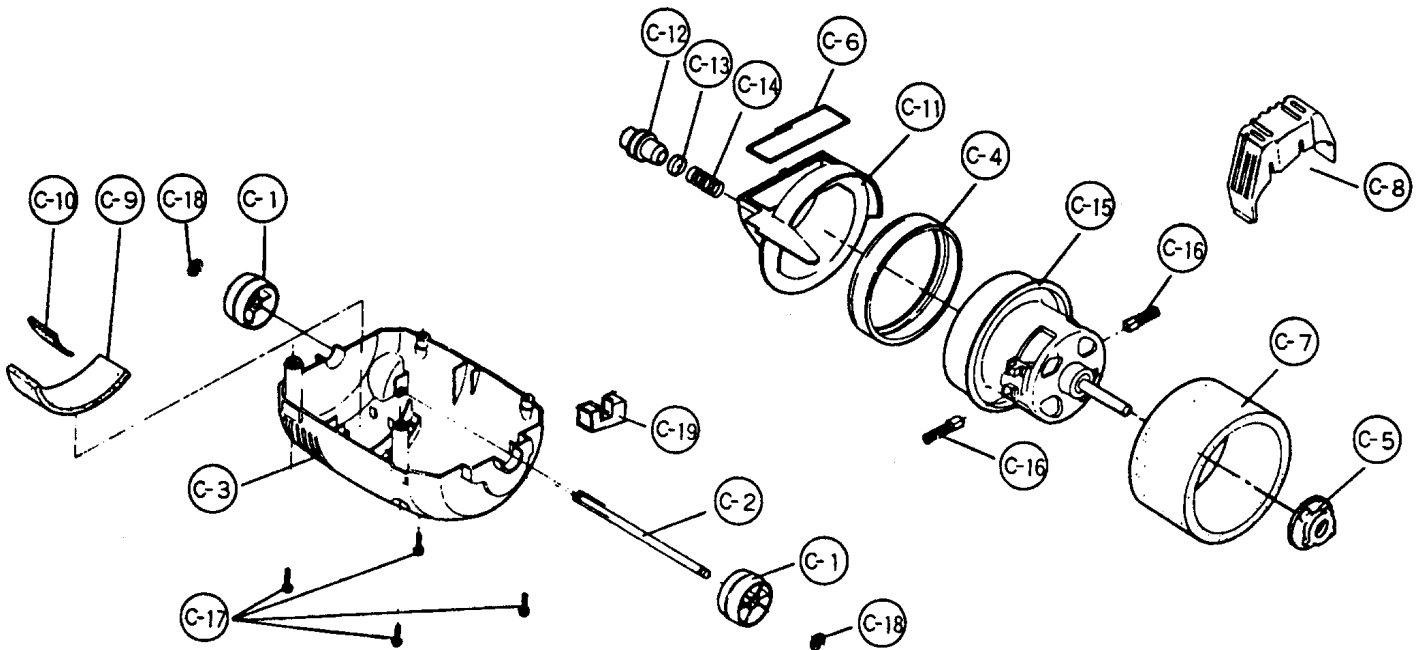


B1 N/A Brush Roll, w/ pulley, complete, 658
 B1 P-9230 Brush Roll, w/ pulley, complete, 655
 B2 P-2900 Pulley

B3 P-4120 Rubber End Cover
 B4 P-9720 End Cap
 B5 P-4200 Washer, pulley
 B6 P-9000 Pulley, 658
 B7 P-8800 Shaft Support

B8 P-1120 Felt Washer
 B9 P-3430 Spacer, 655
 B10 P-3 E-Clip

Motor Housing



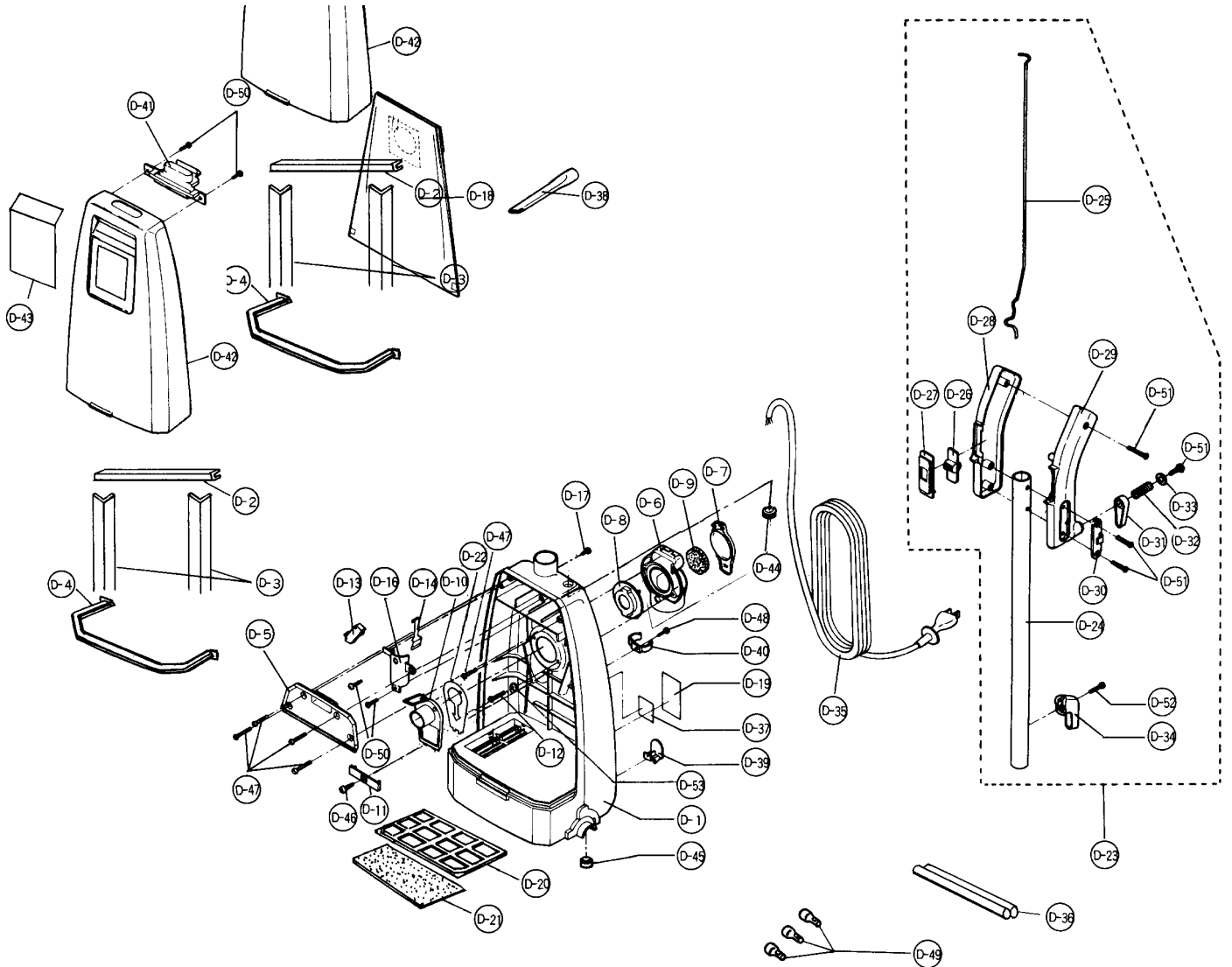
C1 P-1001 Roller
 C2 P-16 Shaft, roller
 C3 P-090 Motor Case, lower
 C4 P-24 Motor Support, rubber, front
 C5 P-037 Motor Support, rubber, rear
 C6 P-65 Packing, body
 C7 P-9920 Noise Suppressor

C8 N/A Cap, carbon brush
 C9 P-30 Packing, air outlet
 C10 P-51 Packing, air outlet, upper
 C11 P-040 Partition, rear
 C12 P-18 Sleeve
 C13 P-69 Plunger
 C14 P-70 Spring

C15 P-92 Motor Assy, complete
 C16 P-272 Carbon Brush, sold per pair
 C17 P-4201 Screw
 C18 P-05 E-Clip, 30 pack
 C19 P-12 Cap, motor case, 655

Models: MC-655, MC-658

Handle & Dust Compartment



- | | | | | | | | | |
|-----|--------|---------------------------------------|-----|--------|---|-----|--------|---|
| D1 | P-330 | Dust Compartment | D18 | 259 | Paper Bag, 3 pack, 50/cs (R) | D36 | P-3730 | Lead Wire Parallel Core
stripped end (R) |
| D2 | P-733 | Packing, dust box | D18 | N/A | Paper Bag, 12 pack, 25/cs (R) | D38 | N/A | Crevice Tool, 658 |
| D3 | P-743 | Dust Packing | D20 | P-313 | Filter Tension | D39 | N/A | Pipe Stopper Plate, 658 |
| D4 | P-793 | Body Packing, lower | D21 | P-303 | Filter | D40 | P-5201 | Spring, pipe stopper, 658 |
| D5 | P-180 | Switch Cover | D23 | N/A | Handle Assy, complete, 655 | D41 | P-1002 | Button, dust cover |
| D6 | P-607 | Suction Inlet | D23 | N/A | Handle Assy, complete, 658 | D42 | P-6031 | Dust Cover, 655 |
| D7 | N/A | Cover | D24 | NLA | Handle Only | D43 | P-2130 | Ornamental Plate, 655 |
| D8 | P-647 | Packing | D25 | P-60 | Handle Lever | D43 | P-2160 | Ornamental Plate, 658 |
| D10 | N/A | Bag Support | D26 | P-004 | Switch Knob | D44 | SS-34 | Cord Lock Fastener,
sold ea (R) |
| D11 | P-133 | Spacer, bag support | D27 | P-93 | Switch Window | D46 | P-46 | Screw, bag support spacer |
| D12 | P-2770 | Screw, dust box | D28 | N/A | Handle Grip, right & left side | D47 | P-4201 | Screw, switch cover |
| D13 | P-983 | Main Switch | D30 | P-5531 | Cord Hook Plate, front | D48 | P-4100 | Screw, pipe stopper spring, 658 |
| D14 | P-150 | Switch Lever | D31 | P-5331 | Cord Hook | D50 | P-4100 | Screw, handle bracket |
| D16 | P-690 | Handle Bracket | D32 | P-7610 | Spring, guide lever | D51 | P-4201 | Screw |
| D17 | P-5400 | Screw, handle | D33 | P-587 | Washer, handle shaft | D52 | P-4250 | Screw, cord hook support |
| D18 | P-130 | Paper Bag, type 'U1',
3 pk, 24/cs | D34 | P-5407 | Supporter, cord hook | D53 | P-0004 | Washer |
| D18 | P-131 | Paper Bag, type 'U1',
12 pk, 12/cs | D35 | MP-225 | Cord, 20 ft, white,
stripped end (R) | | | |
| | | | D35 | MP-230 | Cord, 30 ft, white,
stripped end (R) | | | |