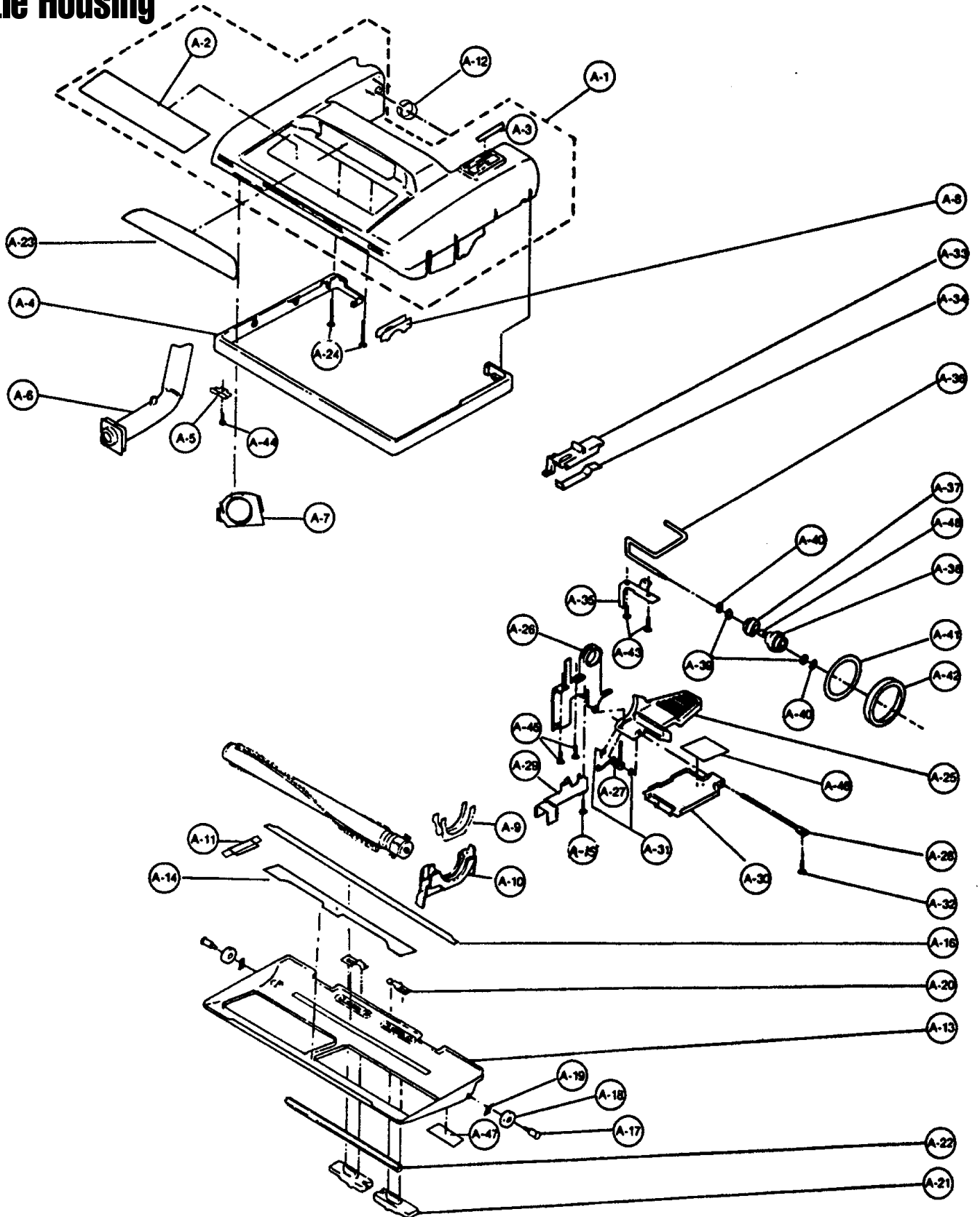
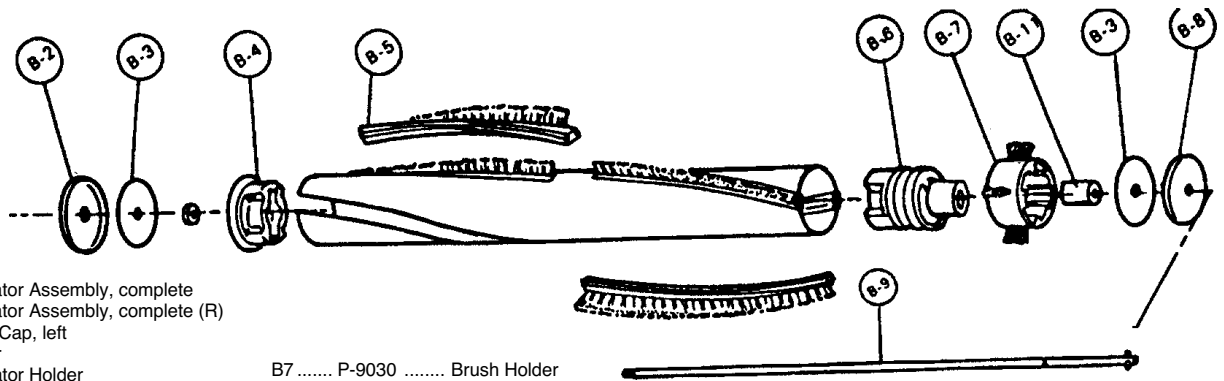


Nozzle Housing



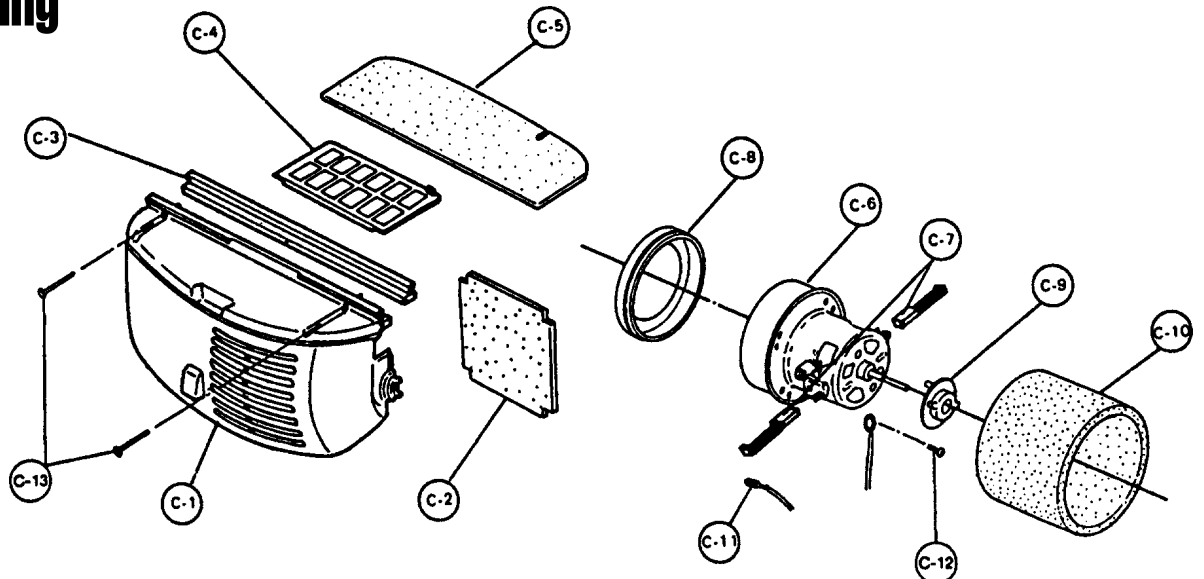
A1 P-0110 Nozzle Housing, 6640	A17 P-503 Shaft, floor nozzle roller, 6647	A34 P-243 Spring, selector
A1 P-01000 Nozzle Housing, 6647	A18 P-909 Roller, floor nozzle	A35 P-593 Fitting Board
A2 P-02100 Top Mark, 6640	A19 P-04 Spring Nut, push-on	A36 P-1014 Shaft, idler pulley
A2 P-02000 Top Mark, 6647	A20 P-704 Spring, stop latch	A37 P-334 Pulley, 6640
A3 NLA Selector Mark	A21 P-684 Latch, 6640	A37 P-8510 Pulley Assy, 6647
A4 P-1035 Furniture Guard, 6640	A21 P-2751 Latch, 6647	A38 P-901 Idler Pulley
A4 P-10300 Furniture Guard, 6647	A22 P-1032 Floor Nozzle Rubber	A39 P-051 Washer, 6640
A5 P-2731 Hose Fitting Plate, 6640	A23 N/A Window, 6640	A39 P-1600 Washer, 6647
A5 P-27300 Hose Fitting Plate, 6647	A23 P-21104 Window, 6647	A40 P-05 E-Clip, 30 pk
A6 P-703 Nozzle Pipe	A24 P-683 Screw, nozzle housing, 6640	A41 P-324 Belt, round, sold each (R)
A7 P-691 Brush Holder	A24 P-88300 Screw, nozzle housing, 6647	A42 P-325 Belt, flat, sold each (R)
A8 P-813 Tight Packing	A25 P-4730 Pedal	P-245 Belts, 1 round / 1 flat, 2 pack
A9 P-753 Body Packing	A26 P-433 Frame	A43 P-418 Screw, fitting board
A10 P-4330 Belt Cover	A27 P-583 Spring, pedal	A44 P-416 Screw, hose fitting plate, 6640, 10 pk
A11 P-391 Packing, lower plate, right	A28 P-513 Shaft, pedal	A44 P-516 Screw, hose fitting plate, 6647
A12 P-0210 Body Supporter	A29 P-754 Guide Lever	A45 P-418 Screw, frame
A13 P-0006 Lower Plate	A30 P-1130 Belt Cover, rear	A46 P-0730 Caution Label A
A14 P-191 Packing, lower plate, front	A31 P-411 E-Clip	A47 P-083 Caution Label
A15 P-263 Screw, frame	A32 P-416 Screw, pedal shaft, 10 pk	A48 P-7410 Spacer
A16 P-741 Packing, lower plate, back	A33 P-183 Selector Lever, 6640	
A17 P-503 Shaft, floor nozzle roller, 6640	A33 P-0019 Selector Lever, 6647	

Agitator Assembly



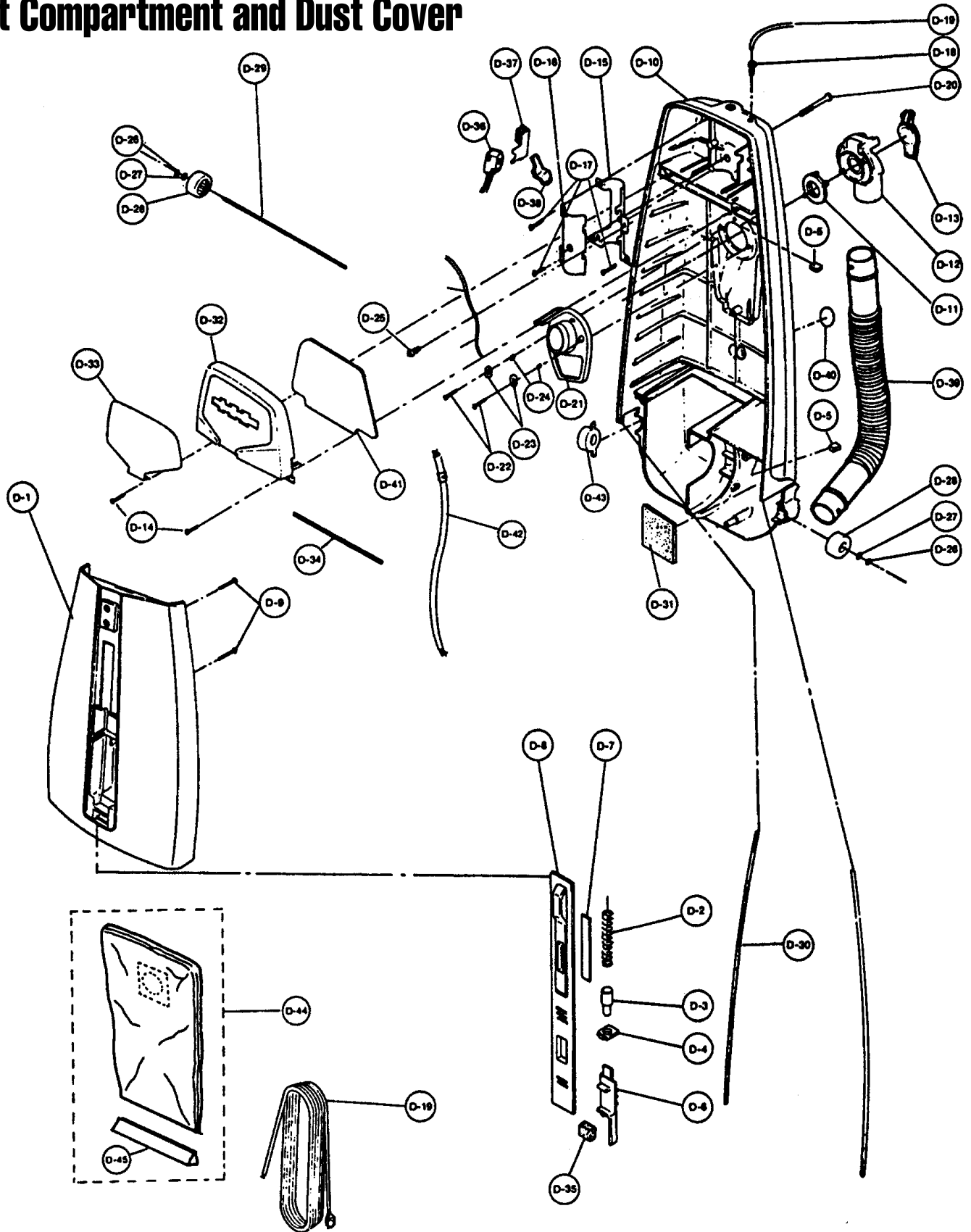
P-9231 Agitator Assembly, complete	B7 P-9030 Brush Holder
P-6200 Agitator Assembly, complete (R)	B8 P-00125 End Cap, right
B2 N/A End Cap, left	B9 P-5730 Agitator Shaft
B3 P-321 Filter	P-411 E-Clip
B4 P-4101 Agitator Holder	B11 P-7431 Spacer
B5 P-85 Brush Strip, 4 used, sold each	
B5 P-425 Brush Strip, 4 used, sold per pair (R)	
B6 P-2931 Agitator Pulley	

Motor Housing



C1 P-0932 Motor Case, 6640	C6 P-000062 Motor, complete	C11 ... P-441 Lead Wires, w/ AMP terminal, 6640
C1 P-9304 Motor Case, 6647	C7 P-272 Carbon Brush, USA models	C11 ... P-44000 Lead Wires, w/ AMP terminal, 6647
C2 P-0232 Packing, rear cover	C7 P-0035 Carbon Brush, Japanese models	C12 ... P-480 Screw, ground wire
C3 P-1931 Support Rubber, motor cover	C8 P-24 Support Rubber, motor, front	C13 ... P-418 Screw, motor case
C4 P-3200 Supporter, filter	C9 P-0300 Support Rubber, motor, rear	
C5 P-3030 Filter	C10 P-9920 Noise Suppressor	

Dust Compartment and Dust Cover



D1 N/A Dust Cover, 6640	D15 P-5311 Handle Supporter	D30 P-86300 Packing, dust box, 6647
D1 P-60404 Dust Cover, 6647	D16 P-2486 Handle Fitting	D31 N/A Packing
D2 P-4105 Spring, indicator	D17 P-416 Screw, handle supporter, 10 pk	D32 P-0331 Switch Cover, 6640
D3 P-0049 Lead, indicator	D18 SS-35 Cord Lock, sold each (R)	D32 P-03904 Switch Cover, 6647
D4 P-203 Supporter, indicator lead	D19 P-94110 Cord, 6647	D33 P-2112 Ornamental Plate, 6640
D5 P-811 Tight Packing	D19 MP-503 Cord, 50 ft, 18/3, black (R)	D33 P-21000 Ornamental Plate, 6647
D6 P-06300 Lever, suction control, 6640	D20 P-000132 Screw, handle	D34 P-7332 Packing, dust cover
D6 P-06300 Lever, suction control, 6647	D21 N/A Bag Supporter, 6640	D35 P-0069 Packing, indicator
D7 P-0830 Window, indicator	D21 P-10310 Bag Supporter, 6647	D36 P-987 Main Switch
D8 N/A Front Cover, 6640	D22 P-418 Screw, bag supporter	D37 P-453 Terminal Cover
D8 P-00100 Front Cover, 6647	D23 P-587 Washer	D38 P-153 Switch Lever
D9 P-416 Screw, dust cover, 10 pk	D24 P-341 Spacer	D39 P-3431 Nozzle Hose, 6640
D10 N/A Dust Compartment	D25 P-418 Screw, connection cord	D39 P-0081 Nozzle Hose, 6647
D11 P-647 Packing, suction inlet, 6640	D26 P-05 E-Clip, 30 pk	D40 P-0570 Sticker
D11 P-1034 Packing, suction inlet, 6647	D27 P-051 Washer, 6640	D41 P-463 Partition Board, 6640
D12 P-607 Suction Inlet, 6640	D27 P-1600 Washer, 6647	D42 P-6413 Connection Cord
D12 P-2495 Suction Inlet, 6647	D28 P-0107 Roller, 6640	D43 P-2530 Shaft, plastic
D13 N/A Cover, 6640	D28 P-0114 Roller, 6647	D44 P-9923 Cloth Bag, w/ slide
D13 P-2493 Cover, 6647	D29 P-163 Shaft, roller	D44 P-55 Cloth Bag, red, w/ slide (R)
D14 P-416 Screw, switch cover, 10 pk	D30 P-663 Packing, dust box, 6640	D45 P-232 Supporter, dust bag

Handle Assembly

E1 P-2210 Handle Grip, right, 6640
E1 P-22104 Handle Grip, right, 6647
E2 P-2310 Handle Grip, left, 6640
E2 P-23104 Handle Grip, left, 6647
E3 P-6414 Handle
E4 P-9318 Window, switch
E5 P-6931 Knob, switch, 6640
E5 P-06930 Knob, switch, 6647
E6 P-416 Screw, handle grip, 10 pk
E7 P-5312 Cord Hook, upper, 6640
E7 P-10534 Cord Hook, upper, 6647
E8 P-416 Screw, upper cord hook, 10 pk
E9 P-623 Handle Lever

