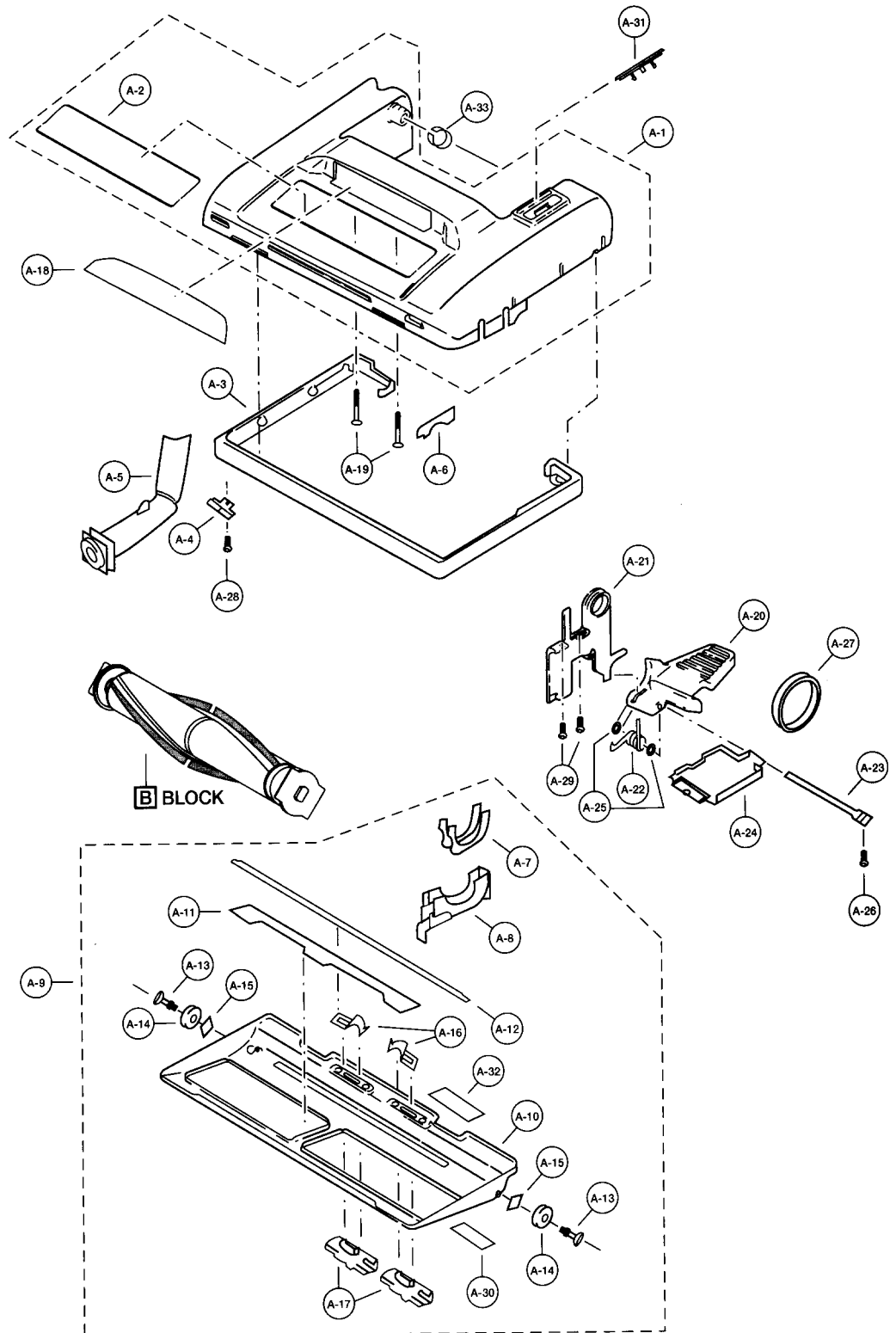


Models: MC-6601

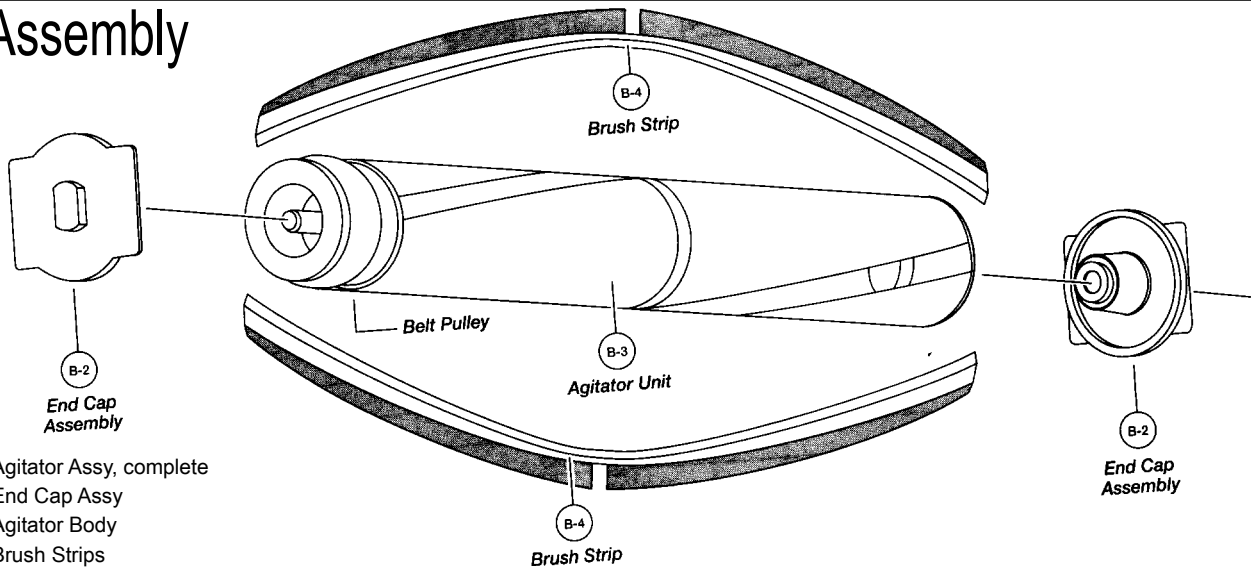
Nozzle Housing

- 1..... NLA..... Nozzle Housing
- 2..... P-9214..... Top Mark
- 3..... P-10306..... Furniture Guard
- 4..... P-2731..... Hose Fitting Plate
- 5..... P-7030..... Nozzle Pipe
- 6..... P-813..... Tight Packing
- 7..... P-753..... Body Packing
- 8..... P-4305..... Belt Cover
- 9..... P-9105..... Lower Plate Assembly
- 10..... P-27005..... Lower Plate
- 11..... P-193..... Packing, lower plate, front
- 12..... P-7430..... Packing, lower plate, back
- 13..... P-503..... Roller Shaft
- 14..... P-909..... Roller, floor nozzle
- 15..... P-04..... Spring Nut, push-on
- 16..... P-704..... Stop Latch Spring
- 17..... P-684..... Latch
- 18..... P-21107..... Window
- 19..... P-683..... Screw, nozzle housing
- 20..... P-0016..... Pedal
- 21..... P-433..... Frame
- 22..... P-583..... Pedal, spring
- 23..... P-513..... Pedal Shaft
- 24..... P-1130..... Rear Belt Cover
- 25..... P-411..... E-Clip
- 26..... P-8172..... Screw, pedal shaft
- 27..... P-260B..... Flat Belt
- 28..... P-6140..... Screw, hose fitting plate
- 29..... P-8172..... Screw, frame
- 30..... P-083..... Warning Label
- 31..... P-24007..... Cover Plate
- 32..... P-07000..... Caution Label
- 33..... P-0210..... Body Supporter



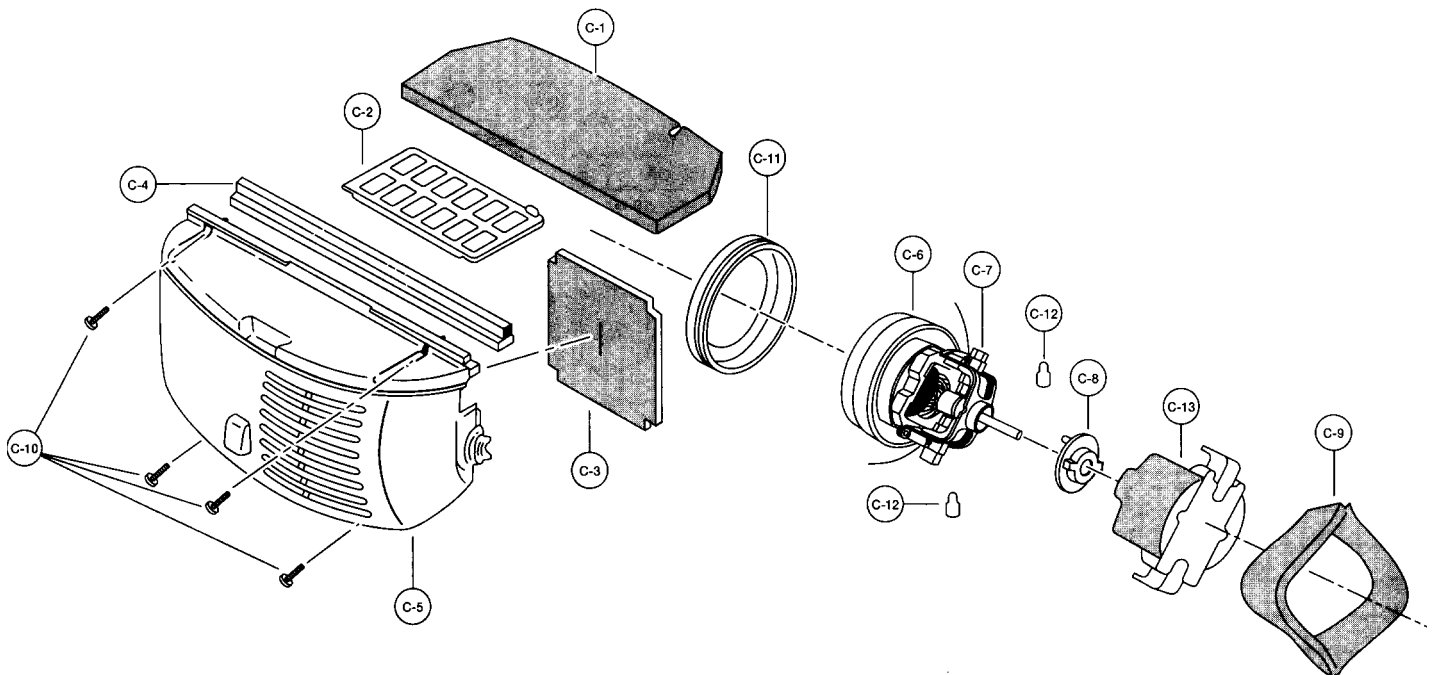
Models: MC-6601

Agitator Assembly



- 1.....P-92107..... Agitator Assy, complete
- 2.....P-000612.... End Cap Assy
- 3.....P-8513..... Agitator Body
- 4.....P-7802..... Brush Strips

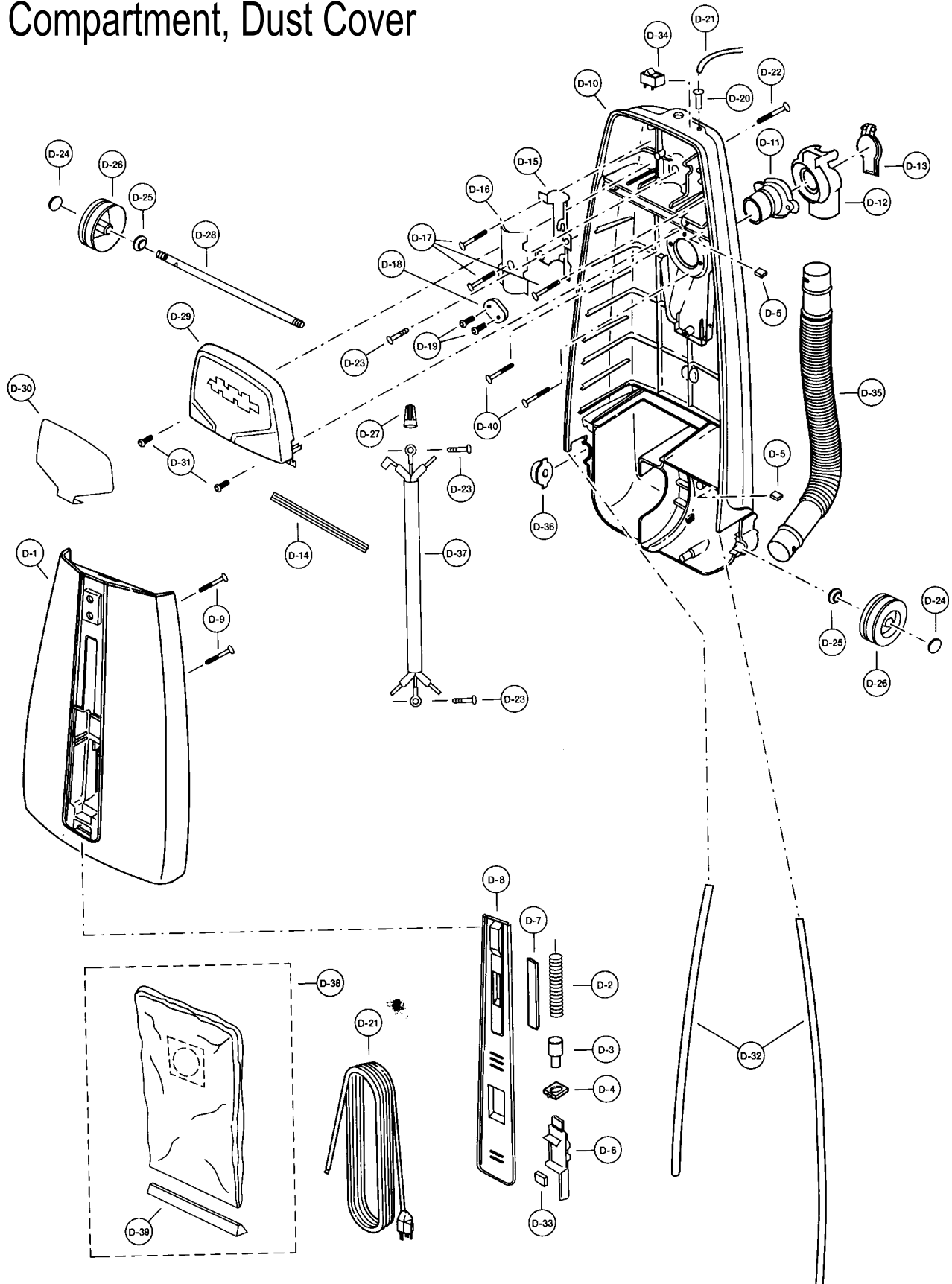
Motor Unit



- 1.....P-2463..... Secondary Filter
- 2.....P-3200..... Filter Supporter
- 3.....P-0232..... Rear Cover Packing
- 4.....P-2466..... Motor Case Packing
- 5.....P-93407..... Motor Case
- 6.....P-92105..... Motor Unit
- 7.....P-9834..... Carbon Brush, set
- 8.....P-0300..... Motor Support Rubber, rear
- 9.....P-99300..... Noise Suppressor
- 10....P-6140..... Screw
- 11....P-24..... Motor Support Rubber, front
- 12....P-000623.... Wire Nut
- 13....P-93033..... Motor Cover

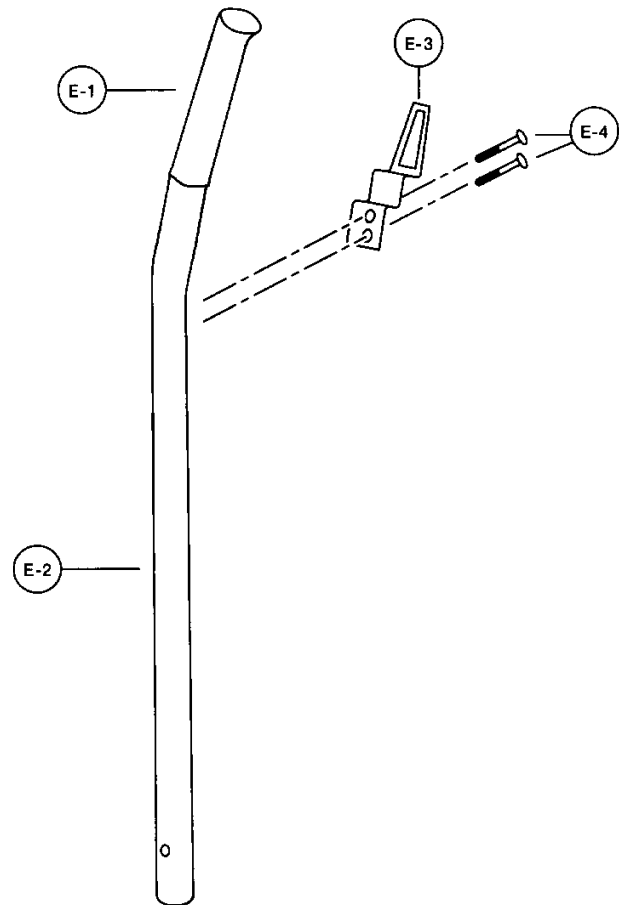
Models: MC-6601

Dust Compartment, Dust Cover



- 1.....P-10205..... Dust Cover
- 2.....P-4105..... Indicator Spring
- 3.....P-0049..... Indicator Lead
- 4.....P-203..... Supporter, indicator lead
- 5.....P-81105..... Tight Packing
- 6.....P-63107..... Suction Control Lever
- 7.....P-0830..... Indicator Window
- 8.....P-1170..... Front Cover
- 9.....P-6140..... Screw, dust cover
- 10....P-4006..... Dust Container
- 11....P-1034..... Suction Inlet Packing
- 12....P-000625..... Suction Inlet
- 13....P-8915..... Cover
- 14....P-7332..... Packing, switch cover
- 15....P-5311..... Handle Supporter
- 16....P-69300..... Handle Fitting
- 17....P-6140..... Screw, handle supporter
- 18....P-62001..... Cord Stopper
- 19....P-6140..... Screw
- 20....P-5140..... Rubber Protector
- 21....P-9405..... Power Cord
- 22....P-7330..... Handle Screw
- 23....P-4848..... Screw, grounding, motor
handle fitting
- 24....P-74009..... Stopper, wheel
- 25....P-000035..... Washer
- 26....P-0062..... Wheel
- 27....P-000623..... Wire Nut
- 28....P-1605..... Roller Shaft
- 29....N/A..... Switch Cover
- 30....P-2105..... Ornamental Plate
- 31....P-8172..... Screw
- 32....P-6630..... Packing, dust container
- 33....P-0069..... Packing, indicator
- 34....P-7938..... Main Switch
- 35....P-34106..... Nozzle Hose
- 36....P-2530..... Plastic Shaft
- 37....P-6405..... Connection Cord
- 38....P-000699..... Dust Bag Unit
- 39....P-2305..... Fastener, dust bag
- 40....P-6140..... Screw, for suction inlet packing

Handle Assembly



- 1.....P-5016..... Handle Grip
- 2.....P-000631..... Handle, includes grip
- 3.....P-000633..... Cord Hook
- 4.....P-6807..... Screw
- 5.....P-3305..... Sticker Warning