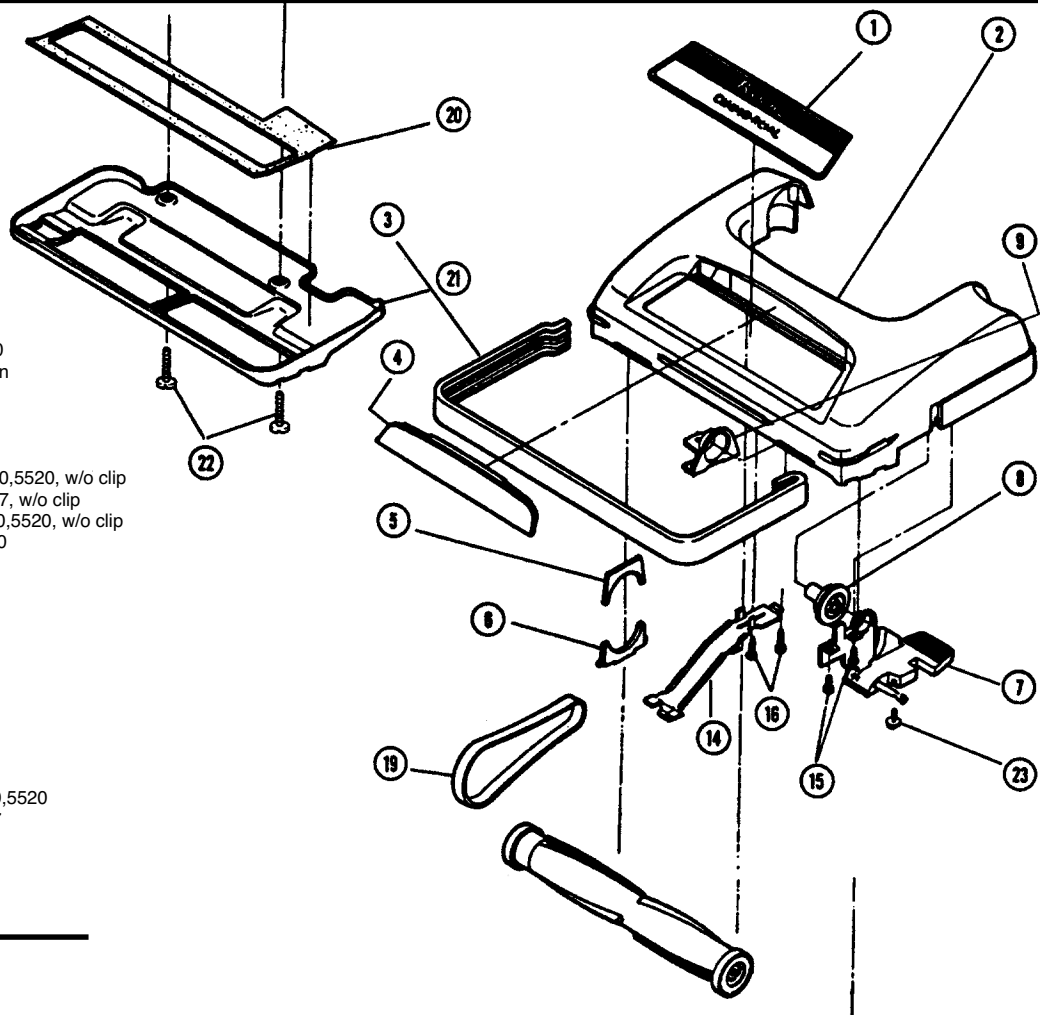


Models: MC-5510, MC-5517, MC-5520

Body Unit

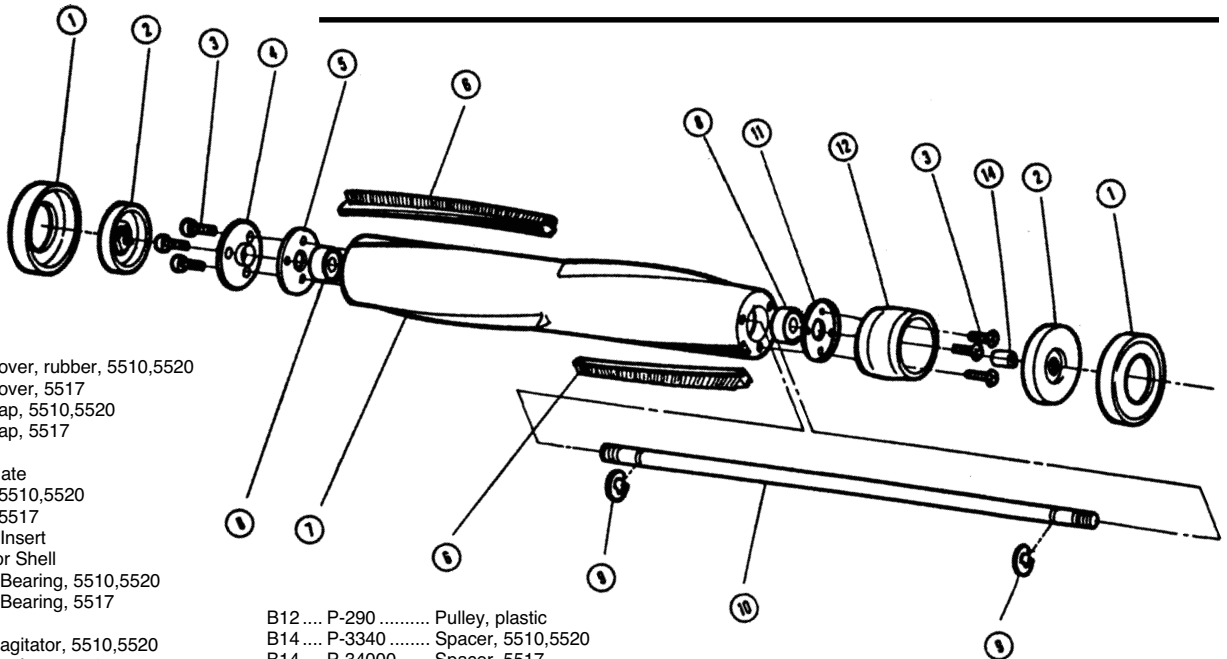
- A1 P-21 Top Mark, 5510,5520
- A1 P-00200 Top Mark, 5517
- A2 N/A Nozzle Housing, red, 5510
- A2 P-01040 Nozzle Housing, 5517
- A2 N/A Nozzle Housing, grey, 5520
- A3 P-107 Furniture Guard, dark brown
- A3 P-10704 Furniture Guard, 5517
- A4 P-217 Cover, lens, 5510
- A4 P-21704 Cover, lens, 5517
- A4 P-2170 Cover, lens, grey, 5520
- A5 P-005 Agitator Holder, upper, 5510,5520, w/o clip
- A5 P-005 Agitator Holder, upper, 5517, w/o clip
- A6 P-050 Agitator Holder, lower, 5510,5520, w/o clip
- A7 P-807 Pedal Assembly, 5510,5520
- A7 P-80700 Pedal Assembly, 5517
- A8 P-257 Bearing, plastic holder
- A9 P-787 Bearing, metal holder
- A14 P-4300 Belt Cover
- A15 P-46 Screw, for frame
- A16 P-46 Screw, for bearing
- A19 P-2287 Belt, 2 pack
- A19 P-200 Belt, sold each (R)
- A20 P-197 Body Packing, gasket
- A21 P-277 Base Plate, 5510,5520
- A21 P-27700 Base Plate, 5517
- A22 P-20 Screw, for base plate, 5510,5520
- A22 P-68000 Screw, for base plate, 5517
- A23 P-516 Screw, long foot pedal



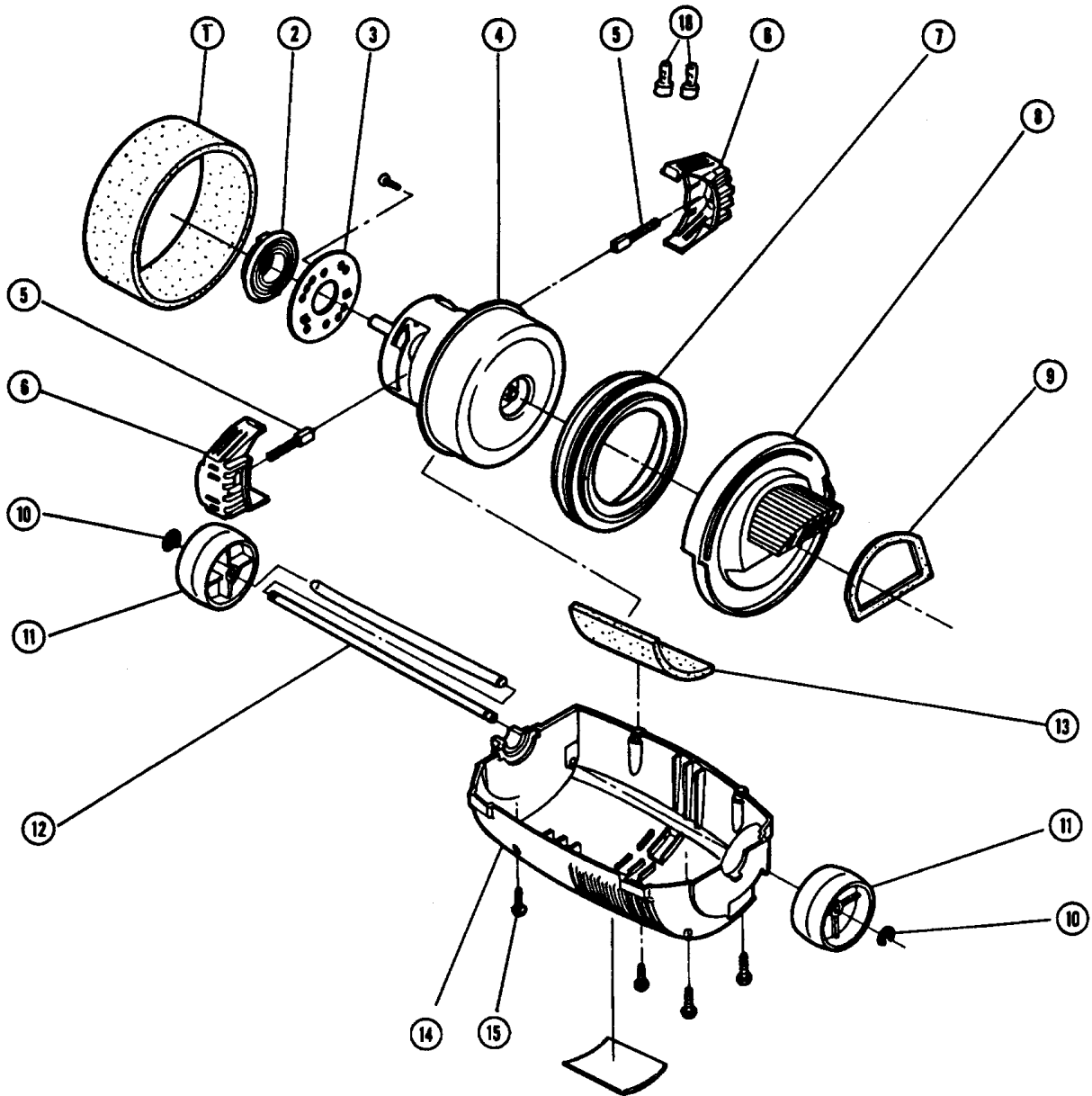
Agitator Assembly

- B1 P-41000 End Cover, rubber, 5510,5520
- B1 P-41000 End Cover, 5517
- B2 P-970 End Cap, 5510,5520
- B2 P-09700 End Cap, 5517
- B3 P-31 Screw
- B4 P-540 End Plate
- B5 P-300 Filter, 5510,5520
- B5 P-03000 Filter, 5517
- B6 P-857 Brush Insert
- B7 P-840 Agitator Shell
- B8 P-350 Roller Bearing, 5510,5520
- B8 P-35000 Roller Bearing, 5517
- B9 P-401 U-Clip
- B10 P-570 Shaft, agitator, 5510,5520
- B10 P-57000 Shaft, agitator, 5517
- B11 P-600 Pulley, metal

- B12 P-290 Pulley, plastic
- B14 P-3340 Spacer, 5510,5520
- B14 P-34000 Spacer, 5517
- P-920 Agitator, complete



Motor Housing Unit

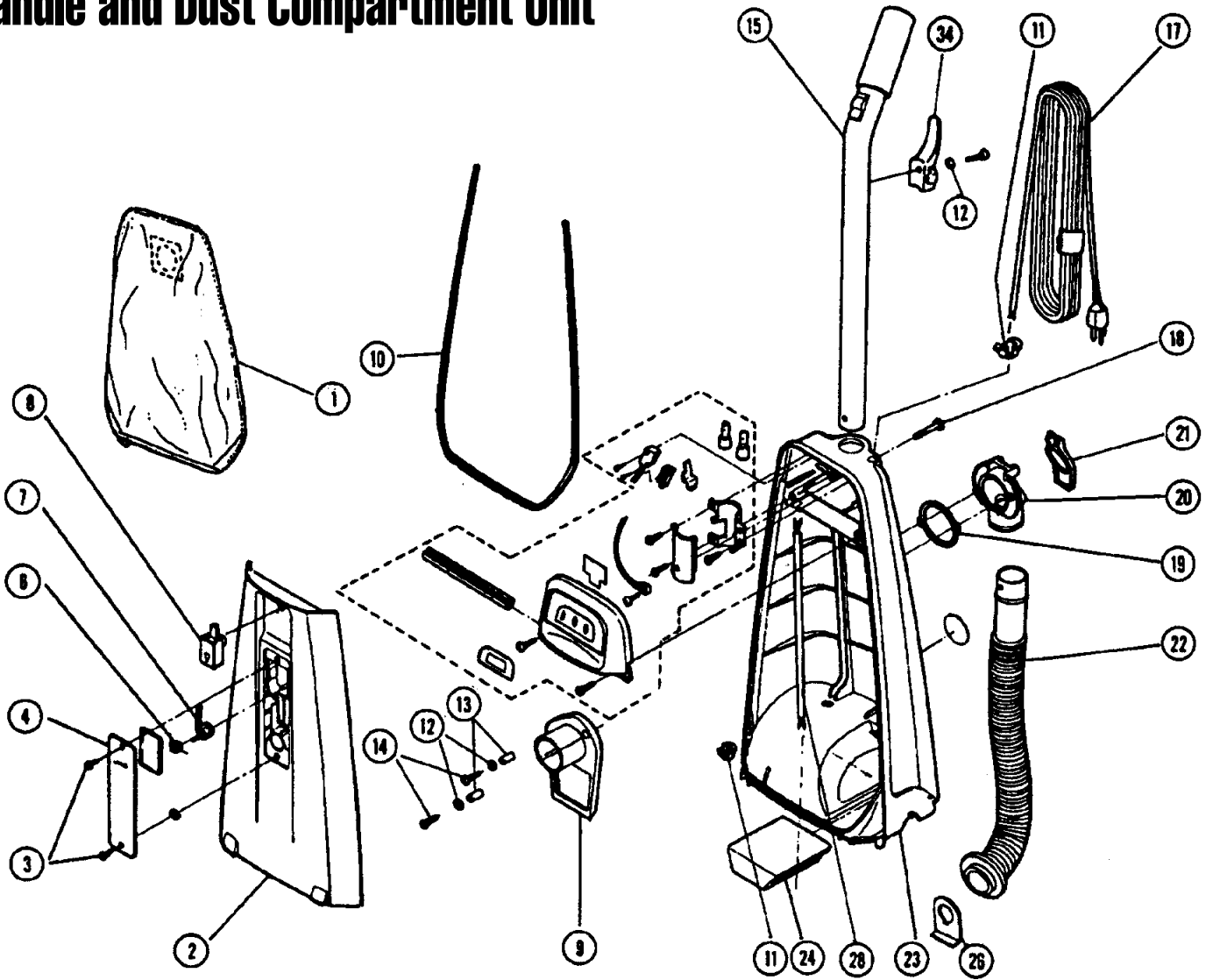


C1 P-9920 Noise Suppressor, 5510,5520
 C1 P-99620 ... Noise Suppressor, 5517
 C2 P-037 Motor Support Rubber
 C3 P-6370 Motor Cover
 C4 P-0117 Motor, complete
 C5 P-272 Carbon Brush, 5510,5520
 C5 P-27202 ... Carbon Brush, 5517
 C6 N/A Cap, carbon brush
 C7 P-24 Motor Support Rubber, front,

5510,5517,5520
 C8 P-24000 ... Partition, rear
 C9 P-657 Packing, body partition,
 5510,5520
 C9 P-657 Packing, body partition, 5517
 C10 .. P-05 E-Clip, 30 pk
 C11 .. P-0177 Roller, 5510,5520
 C11 .. P-01700 ... Roller, 5517
 C12 .. P-167 Shaft, roller

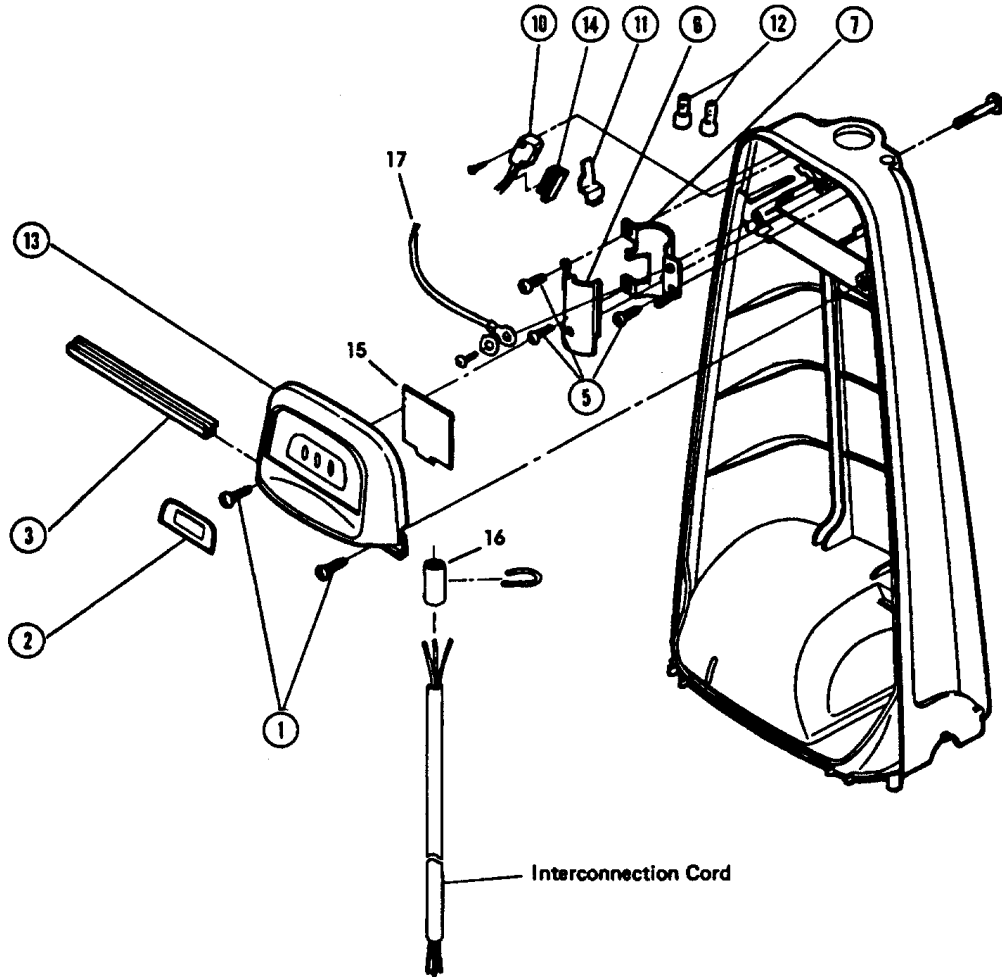
C13 .. P-0207 Packing, rear cover, 5510,5520
 C13 .. P-02700 ... Packing, rear cover, 5517
 C14 .. P-097 Motor Case, lower, 5510,5520
 C14 .. N/A Motor Case, lower, 5517
 C15 .. P-4201 Screw, motor case
 C18 .. SS-71B Wire Nut, 100 pack (R)
 P-29706 ... Insulating Tube, 5517

Handle and Dust Compartment Unit



- | | | |
|---|--|--|
| D1 P-9923 Cloth Bag, w/ slide, 5510,5520 | D8 P-00170 Knob, 5517 | D22 .. N/A Suction Inlet Hose, 5510,5520 |
| D1 P-9923 Cloth Bag, w/ slide, 5517 | D9 N/A Bag Support, 5510,5520 | D22 .. P-34704 Suction Inlet Hose, 5517 |
| P-232 Slide, cloth bag, 5517 | D9 P-01030 Bag Support, 5517 | D23 .. N/A Dust Compartment, 5510 |
| D1 P-55 Cloth Bag, w/ slide, red (R) | D10 .. P-747 Packing, dust box | D23 .. P-40100 Dust Compartment, 5517 |
| D1 P-115P Paper Bag, type "U", 3 pack | D11 .. SS-34 Cord Lock, sold each (R) | D23 .. P-4070 Dust Compartment, 5520 |
| D1 P-115PT Paper Bag, type "U", 12 pack | D12 .. P-587 Washer, bag support | D24 .. P-307 Filter, 5100,5200 |
| D1 253 Paper Bag, type "U", 3 pack (R) | D13 .. NLA Spacer | D24 .. P-307 Filter, 5517 |
| D1 253-12 Paper Bag, type "U", 12 pack (R) | D14 .. P-418 Screw, suction inlet, 5510,5520 | D26 .. P-247 Hose Fitting, 5510,5520 |
| D2 P-601 Dust Cover, red, 5510 | D14 .. P-04180 Screw, suction inlet, 5517 | D26 .. P-24700 Hose Fitting, 5517 |
| D2 P-60740 Dust Cover, 5517 | D15 .. P-958 Handle, 5510 | D28 .. P-641 Interconnection Cord |
| D2 P-6070 Dust Cover, grey, 5520 | D15 .. P-64104 Handle, 5517 | D34 .. P-5310 Cord Hook, 5510,5520 |
| D3 P-3120 Screw, indicator plate | D15 .. P-9510 Handle, 5520 | D34 .. P-53100 Cord Hook, 5517 |
| D4 P-111 Top Plate, 5510 | D17 .. N/A Cord, 5517 | |
| D4 P-11000 Top Plate, 5517 | D17 .. MP-503 Cord, 3 wire, 18/3, black (R) | |
| D4 P-1190 Indicator Plate, 5520 | D18 .. P-73000 Screw, handle, 5510,5520 | |
| P-08700 Vane Cover, 5517 | D18 .. P-73000 Screw, handle, 5517 | |
| D6 P-047 Spring | D19 .. P-647 Packing, suction inlet | |
| D7 P-370 Release Vane | D20 .. P-607 Suction Inlet | |
| D8 P-17 Knob, 5510,5520 | D21 .. N/A Cover | |

Power Switch Unit



- | | | |
|---|--|---|
| E1 P-46 Screw, switch cover | E7 P-531 Handle Support | E14 P-4570 Terminal Cover, 5510,5520 |
| E2 P-2111 Ornamental Plate, 5510 | E10 P-987 Main Switch | E14 P-45700 Terminal Cover, 5517 |
| E2 P-00210 Ornamental Plate, 5517 | E11 P-157 Switch Lever | E15 P-24100 Insulating Plate, 5517 |
| E2 P-2190 Ornamental Plate, 5520 | E12 SS-71B Wire Nut, 100 pack (R) | E16 P-60100 Insulating Tube, 5517 |
| E3 P-7377 Packing, dust box | E13 N/A Switch Cover, 5510 | E17 P-59100 Ground Wire, 5517 |
| E5 P-46 Screw, handle support | E13 P-03704 Switch Cover, 5517 | |
| E6 P-697 Handle Fitting | E13 P-0370 Switch Cover, 5520 | |