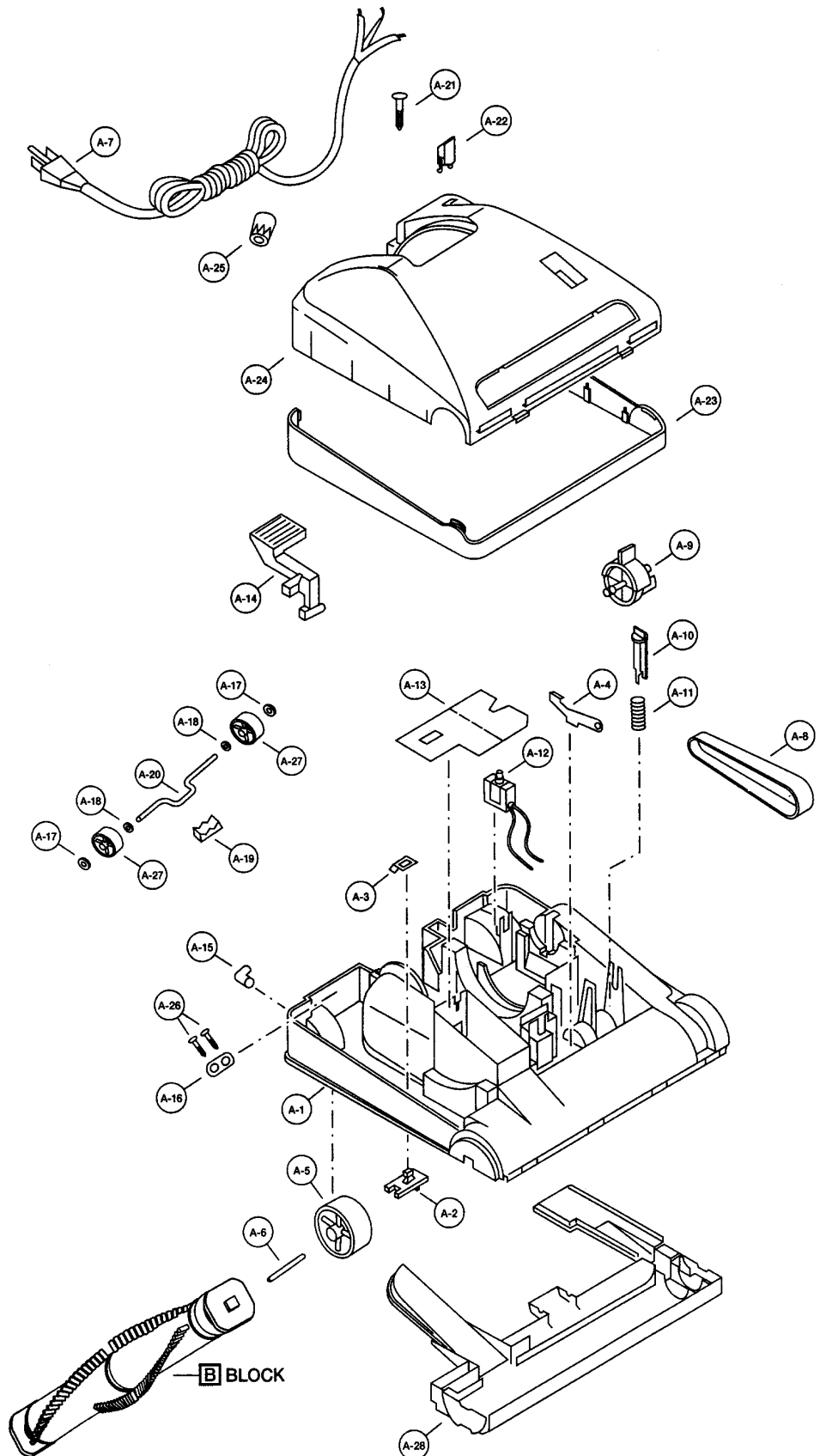


Nozzle Housing

- 1 P-31007 Lower Body
- 2 P-6804 Latch
- 3 P-70001 Latch Spring
- 4 P-18300 Nozzle Lift Lever
- 5 P-10007 Wheel
- 6 P-18301 Rear Axle Shaft
- 7 P-9410 Power Cord
- 8 P-18302 Belt, type UB-5, sold each
- 9 P-3107 Height Adjust Activator
- 10 ... P-4001 Slide Lever, height adjuster
- 11 ... P-3600 Height Adjust Spring
- 12 ... P-5001 Switch, on/off
- 13 ... P-3005 Switch Cover
- 14 ... P-47007 Handle Release Pedal
- 15 ... P-621001 Right Angle Strain Relief
- 16 ... P-62001 Cord Stopper
- 17 ... P-7405 Stopper, wheel
- 18 ... P-18303 Washer
- 19 ... P-2608 Plastic Axle Holder
- 20 ... P-1610 Front Axle Shaft
- 21 ... P-6140 Screw
- 22 ... P-64007 On/Off Button
- 23 ... P-101007 Furniture Guard
- 24 ... P-1110 Floor Nozzle, upper unit
- 25 ... P-000623 Wire Nut
- 26 ... P-6140 Screw, cord stopper
- 27 ... P-9002 Wheel, nozzle
- 28 ... P-27007 Lower Plate

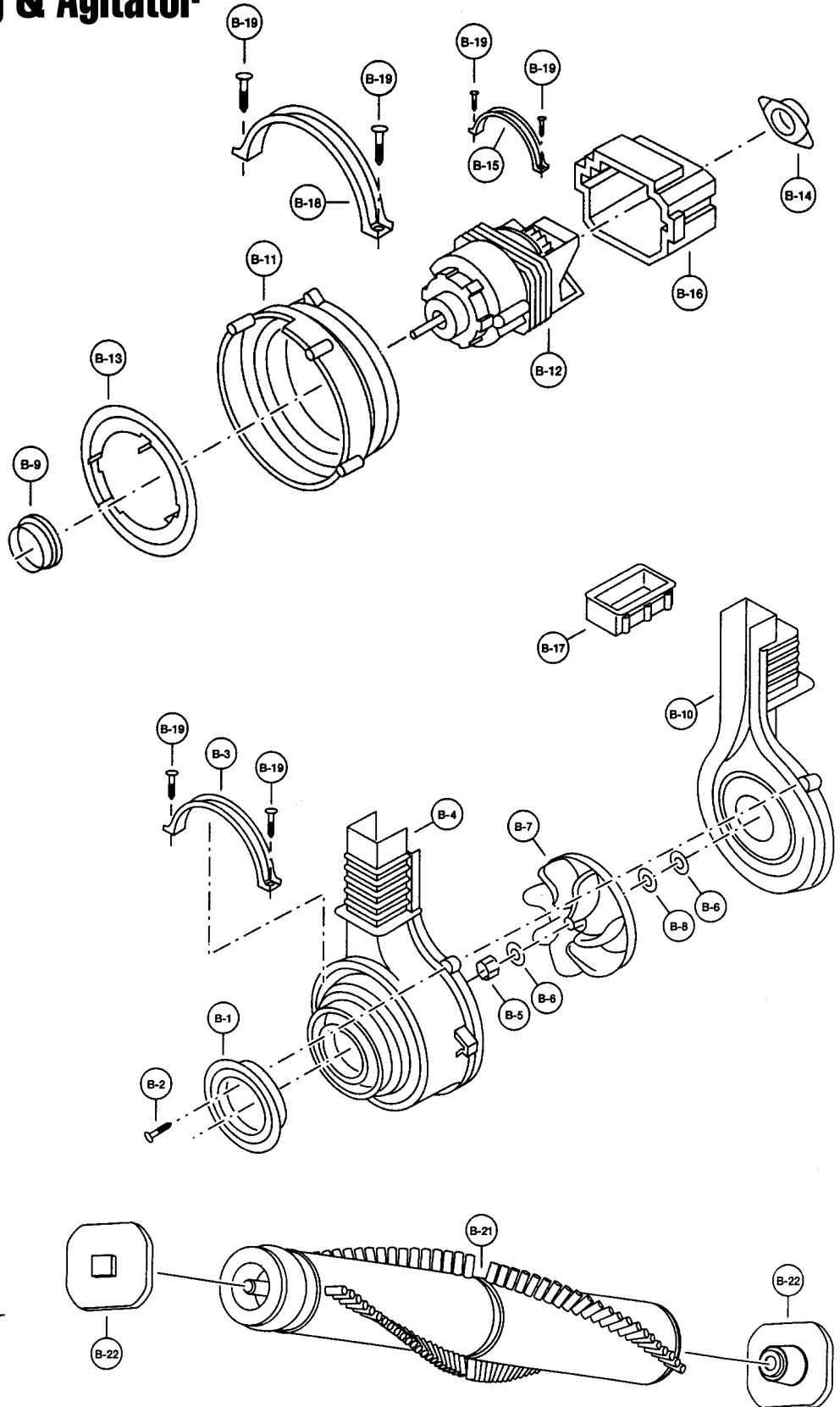


Models: MC-4401

Motor, Motor Housing & Agitator

- 1 P-64000 Suction Inlet Packing
- 2 P-42400 Screw, motor case
- 3 P-2910 Holder, belt end
- 4 P-53107 Fan Case
- 5 P-41490 Hex Nut
- 6 P-18305 Washer, motor case
- 7 P-41508 Impeller
- 8 P-0605 Washer, motor support
- 9 P-2200 Small Seal
- 10 P-54107 Fan Case
- 11 P-63007 Motor Support Cover
- 12 P-18304 Fan Motor
- 13 P-18306 Motor Support Plate
- 14 P-18307 Support, motor, rubber
- 15 P-18308 Support, motor, metal
- 16 P-26001 Motor Cover
- 17 P-51000 Packing, air outlet
- 18 P-71001 Bracket, motor support
- 19 P-6140 Screw

- 20 P-92102 Agitator Assembly
- 21 P-85002 Agitator Body Only
- 22 P-9906 Bearing Unit



Bag & Handle Assembly

- 1 Shaft, handle
- 2 P-501007 Grip, handle
- 3 P-5307 Upper Cord Storage Hook
- 4 P-11007 Support, bag spring assembly
- 5 P-18309 Bag, cloth
- 6 P-53701 Support Slider
- 7 P-143P Paper Bag
- 8 P-65007 Bottom Bag Cover
- 9 P-6140 Screw, cord hook

