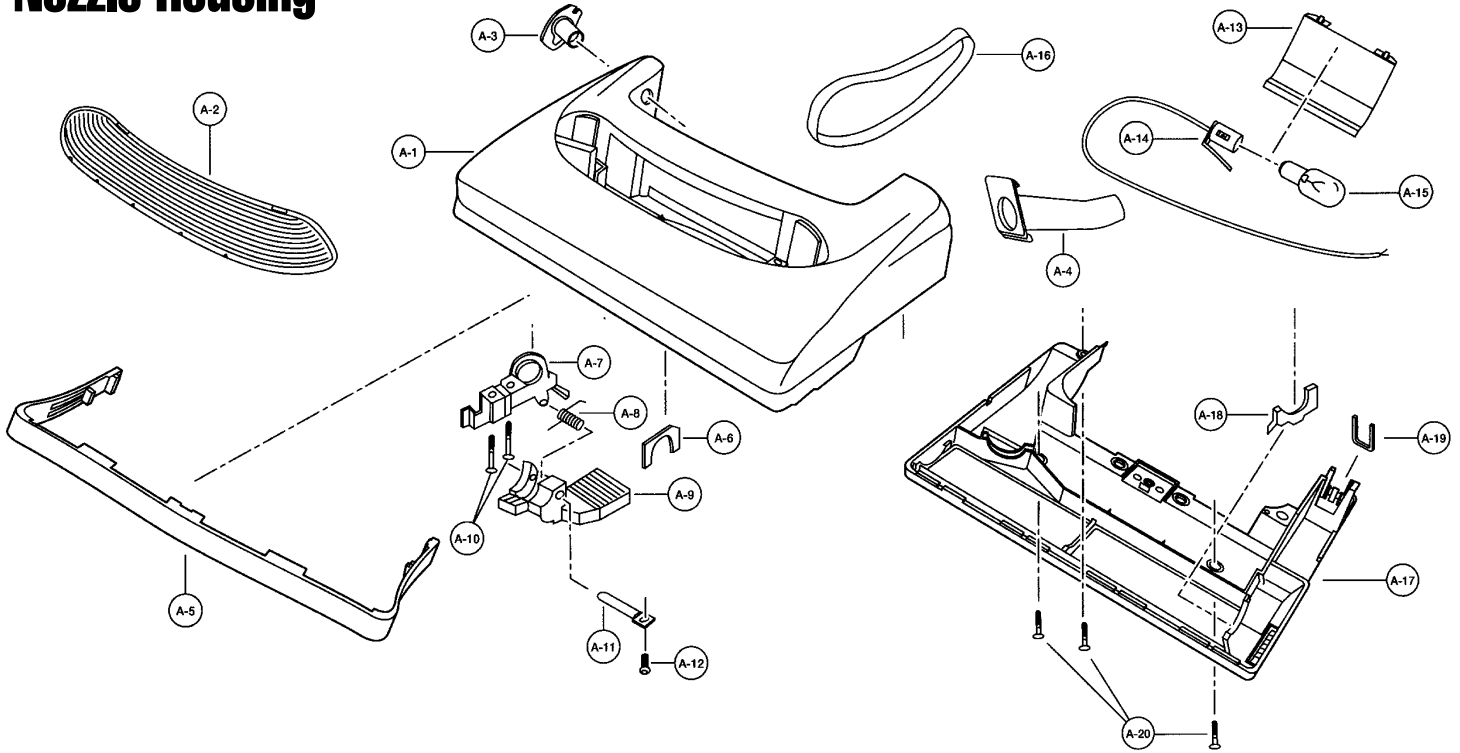


Models: MC6915, MC-6955

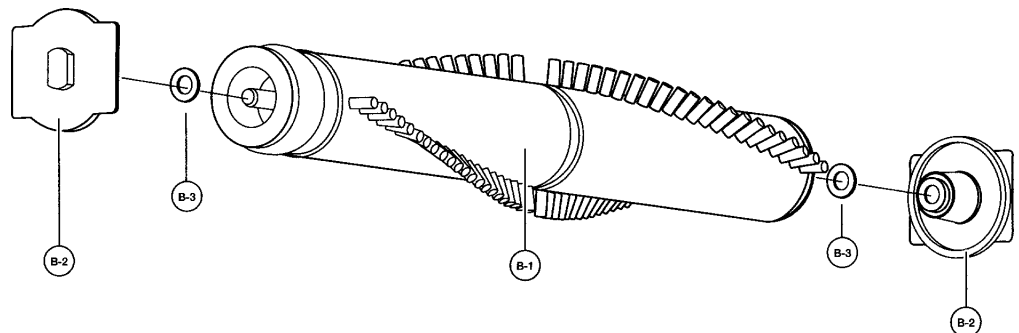
Nozzle Housing



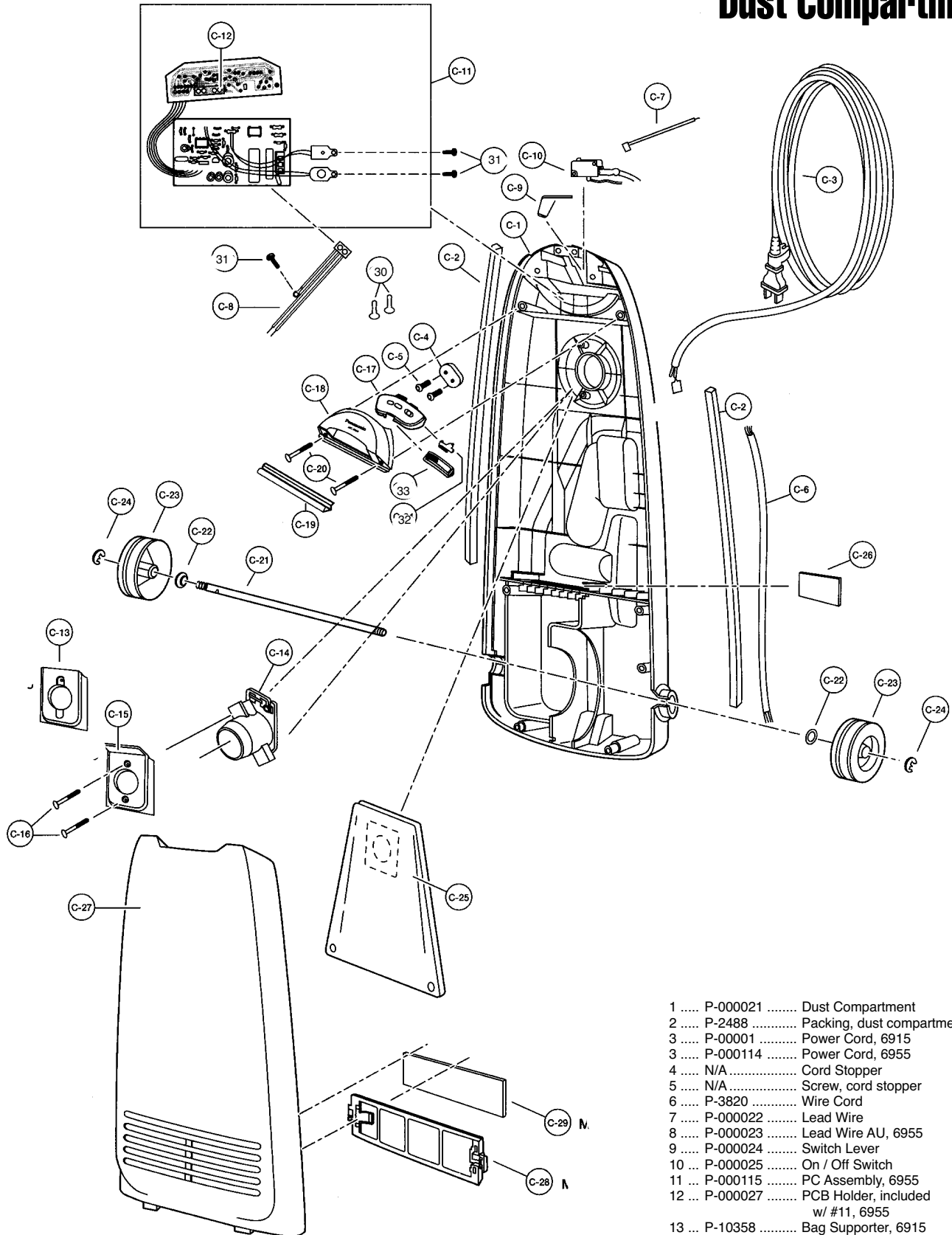
- | | | |
|--|------------------------------------|---|
| 1 P-000288 Nozzle Housing, 6915 | 8 P-000010 Pedal Spring | 16 .. P-2287 Belt, type UB, 2 pack |
| 1 P-000289 Nozzle Housing, 6955 | 9 P-4720 Pedal | 16 .. P-200 Belt, sold each (R) |
| 2 P-10105 Window | 10 .. N/A Screw, frame | 17 .. P-000113 Bottom Plate, 6915, 6955 |
| 3 P-2500 Plastic Shaft | 11 .. P-5120 Shaft, pedal | 18 .. P-7500 Bottom Plate Packing |
| 4 P-000063 Nozzle Pipe | 12 .. N/A Screw, pedal shaft | 19 .. P-43 Belt Cover |
| 5 P-10107 Furniture Guard | 13 .. P-10109 Reflector | 20 .. P-000015 Screw, bottom plate |
| 6 P-81 Tight Packing | 14 .. P-9367 Bulb Socket | |
| 7 P-000095 Frame | 15 .. P-2810 Bulb | |

Agitator Assembly

- | |
|------------------------------------|
| 1 P-9212 Agitator Body |
| 2 P-0693 End Cap A |
| 3 P-0694 End Cap B |
| 4 P-0030 Washer |



Dust Compartment

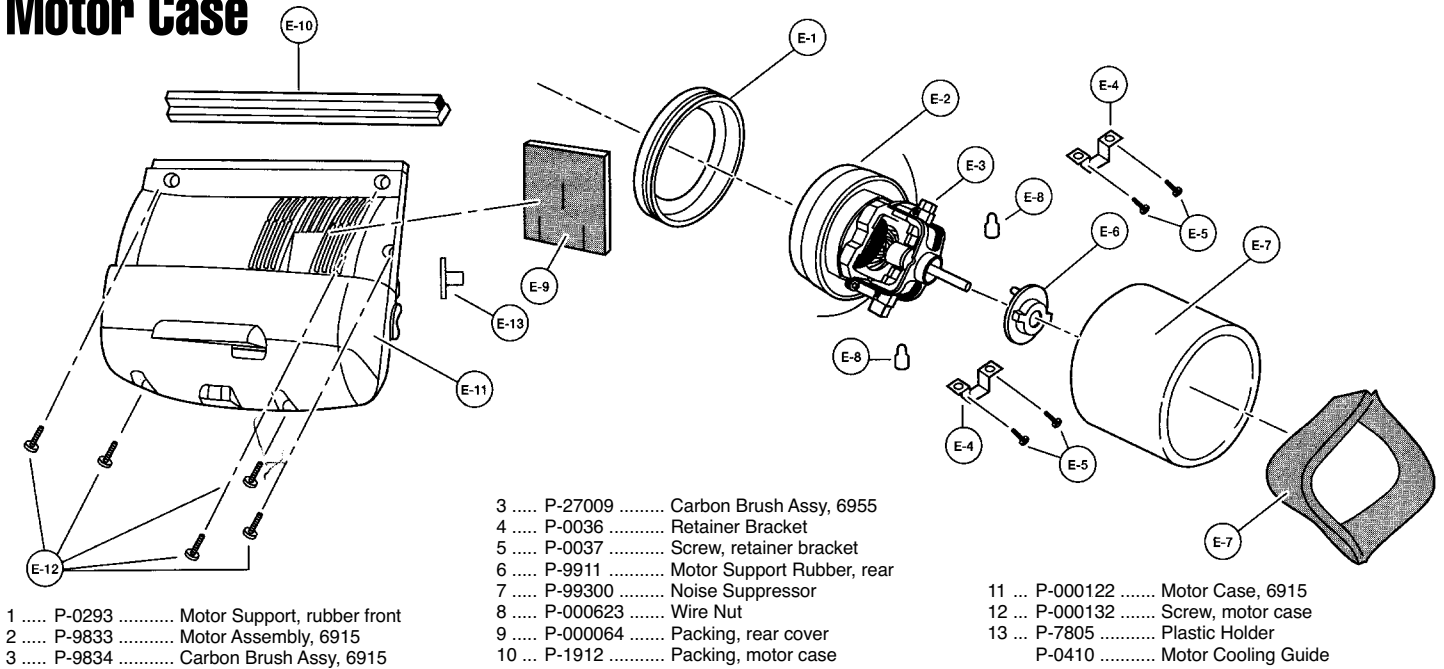


- 1 P-000021 Dust Compartment
- 2 P-2488 Packing, dust compartment
- 3 P-00001 Power Cord, 6915
- 3 P-000114 Power Cord, 6955
- 4 N/A Cord Stopper
- 5 N/A Screw, cord stopper
- 6 P-3820 Wire Cord
- 7 P-000022 Lead Wire
- 8 P-000023 Lead Wire AU, 6955
- 9 P-000024 Switch Lever
- 10 ... P-000025 On / Off Switch
- 11 ... P-000115 PCB Assembly, 6955
- 12 ... P-000027 PCB Holder, included
w/ #11, 6955
- 13 ... P-10358 Bag Supporter, 6915

Models: MC-6915, MC-6955

- | | | |
|--|--|--|
| 14 ... P-000029 Bag Supporter, 6955 | 22 ... P-6115 Washer, roller shaft | 26 ... P-7023 Secondary Filter |
| 15 ... P-000290 Fin Cover, 6955 | 23 ... P-0114 Wheel, black | 27 ... P-000118 Dust Cover, 6915 |
| 16 ... P-000132 Screw | 24 ... N/A E-Clip | 27 ... P-000119 Dust Cover, 6955 |
| 17 ... P-000031 Ornamental Plate, 6955 | 25 ... P-115P Paper Bag, type U3, 3 pack | 28 ... P-000505 Filter Supporter |
| 18 ... P-00015 Switch Cover, 6915 | 25 ... P-115PT Paper Bag, type U3, 12 pack | 29 ... P-3099 Electrostatic Filter |
| 18 ... P-000117 Switch Cover, 6955 | 25 ... 253 Paper Bag, 3 pack (R) | 30 ... P-000623 Wire Nut |
| 19 ... P-000034 Packing, switch cover | 25 ... 253-12 Paper Bag, 12 pack (R) | 31 ... P-2531 Screw, 6955 |
| 20 ... P-000132 Screw, switch cover | 25 ... MF-11 Paper Bag, 3 pack, micro-filtration (R) | 32 ... P-000043 Sensor Knob, 6955 |
| 21 ... P-161 Roller Shaft | | 33 ... P-000044 LED Lens, 6955 |

Motor Case



- | | |
|--|---|
| 1 ... P-0293 Motor Support, rubber front | 3 ... P-27009 Carbon Brush Assy, 6955 |
| 2 ... P-9833 Motor Assembly, 6915 | 4 ... P-0036 Retainer Bracket |
| 3 ... P-9834 Carbon Brush Assy, 6915 | 5 ... P-0037 Screw, retainer bracket |

- | | |
|---|---|
| 6 ... P-9911 Motor Support Rubber, rear | 11 ... P-000122 Motor Case, 6915 |
| 7 ... P-99300 Noise Suppressor | 12 ... P-000132 Screw, motor case |
| 8 ... P-000623 Wire Nut | 13 ... P-7805 Plastic Holder |
| 9 ... P-000064 Packing, rear cover | P-0410 Motor Cooling Guide |
| 10 ... P-1912 Packing, motor case | |

Rear Dust Compartment

- | | |
|--|---|
| 1 ... P-000021 Dust Compartment | 10 ... P-6069 Crevice Tool |
| 2 ... P-000018 Handle Assembly | 11 ... P-000055 Extension Wand Unit |
| 3 ... P-7035 Upper Cord Hook | 12 ... P-000056 Protector Case |
| 4 ... P-000048 Screw, handle | 13 ... P-000057 Protector Spring |
| 5 ... P-000049 Suction Inlet Cover | 14 ... P-692 Protector |
| 6 ... P-000050 Packing, suction inlet | 15 ... P-000058 Protector Supporter |
| 7 ... P-0648 Hose Assembly, w/ air insert, suction inlet and flexible hose | 16 ... P-000059 Hose Hook |
| 8 ... P-6088 Dusting Brush | 17 ... P-000060 Wand Holder |
| 9 ... P-6620 Upholstery Nozzle | 18 ... P-000132 Screw |
| | 19 ... P-9897 Holder |

