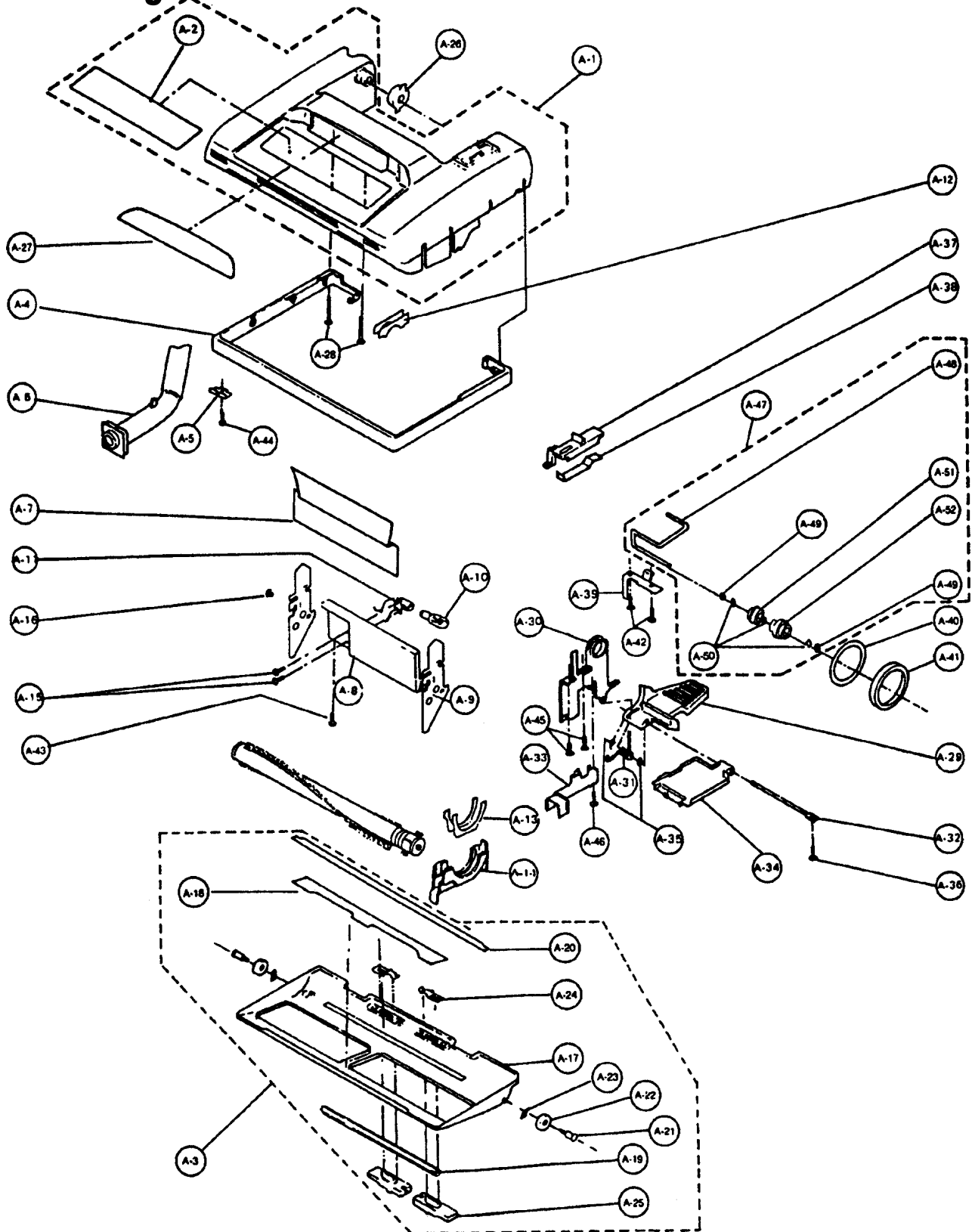


Models: MC-6217, MC-6250, MC-6255

Nozzle Housing

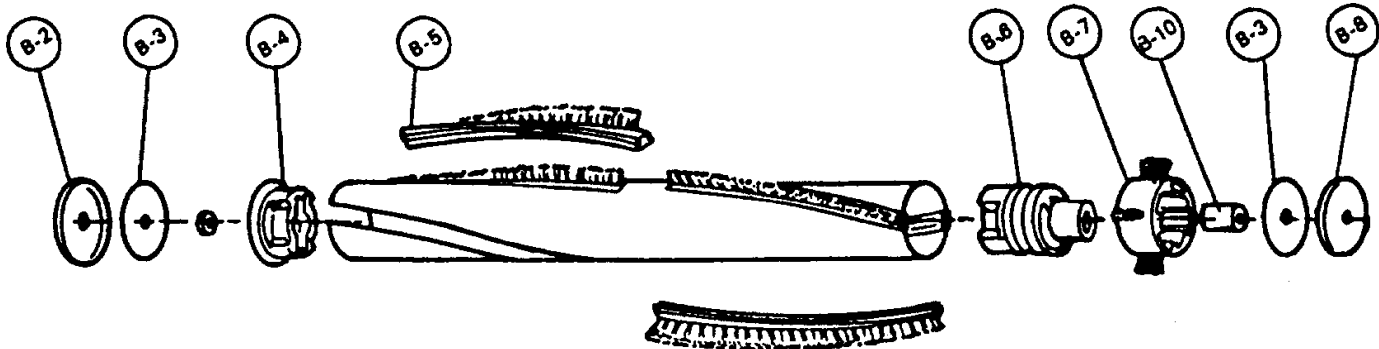


Models: MC-6217, MC-6250, MC-6255

- | | | |
|--|--|--|
| A1 P-0191 Nozzle Housing, 6217 | A17 P-0014 Lower Plate, 6250, 6255 | A39 P-593 Fitting Board |
| A1 P-0001 Nozzle Housing, 6250 | A18 P-193 Packing, lower plate, front | A40 P-245 Belt Pkg, 1 round/1 flat |
| A1 P-0002 Nozzle Housing, 6255 | A19 P-1032 Floor Nozzle Rubber | A40 P-324 Belt, round, sold each (R) |
| A2 P-0003 Top Mark, 6250 | A20 P-7430 Packing, lower plate, back | A41 P-242 Belt, flat, 2 pack |
| A2 P-0005 Top Mark, 6255 | A21 P-503 Shaft, floor nozzle roller | A41 P-325 Belt, flat, sold each |
| A2 P-29 Top Mark, 6217 | A22 P-909 Roller, floor nozzle | A42 P-416 Screw, fitting board, 10 pk |
| A3 P-9130 Lower Plate Assy, 6217 | A23 P-04 Spring Nut, push-on | A43 P-416 Screw, bulb supporter, 10 pk |
| A3 P-0006 Lower Plate Assy, 6250, 6255 | A24 P-704 Spring, stop latch | A44 P-416 Screw, hose fitting plate, 10 pk |
| A4 P-1036 Furniture Guard, 6217 | A25 P-2751 Latch | A45 P-418 Screw, frame |
| A4 P-0008 Furniture Guard, 6250, 6255 | A26 P-2530 Shaft, plastic | A46 P-263 Screw, guide lever |
| A5 P-2731 Hose Fitting Plate | A27 P-2131 Window | A47 P-8510 Pulley Assembly |
| A6 P-7030 Nozzle Pipe | A28 P-683 Screw, nozzle housing | A48 P-1014 Idler Pulley Shaft |
| A7 P-6010 Reflector, 6217 | A29 P-2433 Pedal, 6217, 6255 | A49 P-05 E-Clip, 30 pl |
| A7 P-0010 Reflector, 6250, 6255 | A29 P-0016 Pedal, 6250 | A50 P-1600 Washer |
| A8 P-853 Bulb Supporter, 6217 | A30 P-433 Frame | A51 P-334 Pulley |
| A8 P-0011 Bulb Supporter, 6250, 6255 | A31 P-583 Spring, pedal | A52 P-901 Idler Pulley |
| A9 P-863 Side Plate, bulb supporter, 6217 | A32 P-513 Shaft, pedal | P-2424 Wire Cord, 6250, 6255 |
| A9 P-0012 Side Plate, bilb supporter, 6250, 6255 | A33 P-754 Guide Lever | P-9425 Attachment Hose, 6250, 6255 |
| A10 MP-25K Bulb, 25 watt (R) | A34 P-1130 Belt Cover, rear | |
| A11 P-938 Bulb Socket | A35 P-411 E-Clip | |
| A12 P-813 Tight Packing | A36 P-416 Screw, pedal shaft, 10 pk, 6217 | |
| A13 P-753 Packing, body | A36 P-4201 Screw, pedal shaft, 10 pk, 6250, 6255 | |
| A14 P-4330 Belt Cover | A37 P-1832 Selector Lever, 6217 | |
| A15 P-360 Screw, bulb socket | A37 P-0019 Selector Level, 6250 | |
| A16 P-2423 Wire Bushing | A37 P-0020 Selector Level, 6255 | |
| A17 P-2733 Lower Plate, 6217 | A38 P-243 Spring, selector | |

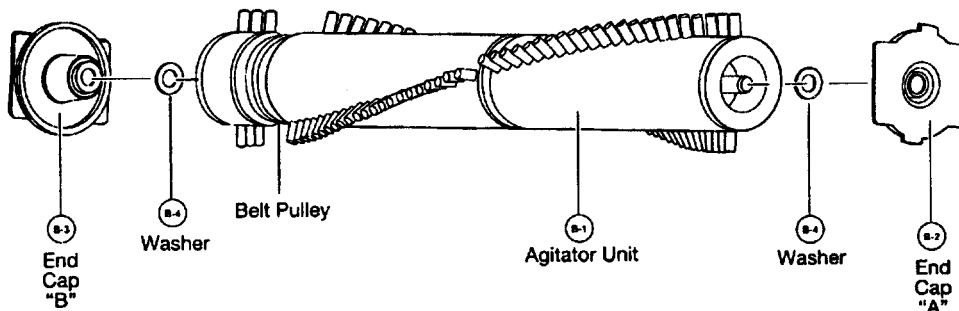
Agitator Assembly

MC-6217



- | | | |
|--|---|-------------------------------|
| P-9231 Agitator Assembly, complete | B5 P-85 Brush Strip, 4 used | P-411 E-Clip |
| B2 P-00125 End Cap, left | B6 P-783 Agitator Pulley | B10 P-7431 Spacer |
| B3 P-304 Filter | B7 P-9034 Brush Holder | P-5730 Agitator Shaft |
| B4 P-881 Agitator Holder, w/ bearing | B8 N/A End Cap, right | |

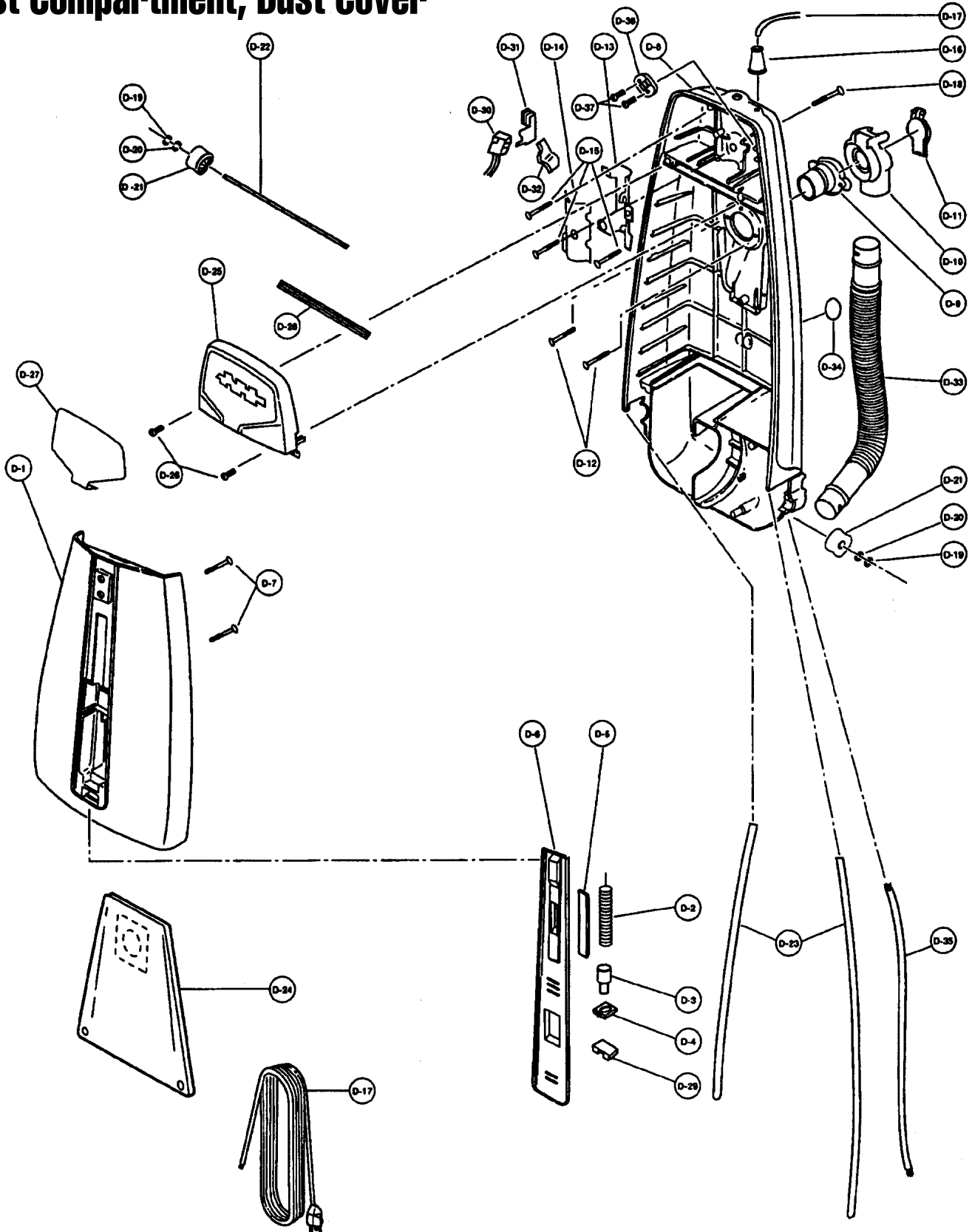
MC-6250, MC-6255



- | |
|---|
| B1 P-962 Agitator Body Only, w/o ends |
| B2 P-0693 End Cap "A" |
| B3 P-0694 End Cap "B" |
| B4 P-0030 Washer |

Models: MC-6217, MC-6250, MC-6255

Dust Compartment, Dust Cover



Models: MC-6217, MC-6250, MC-6255

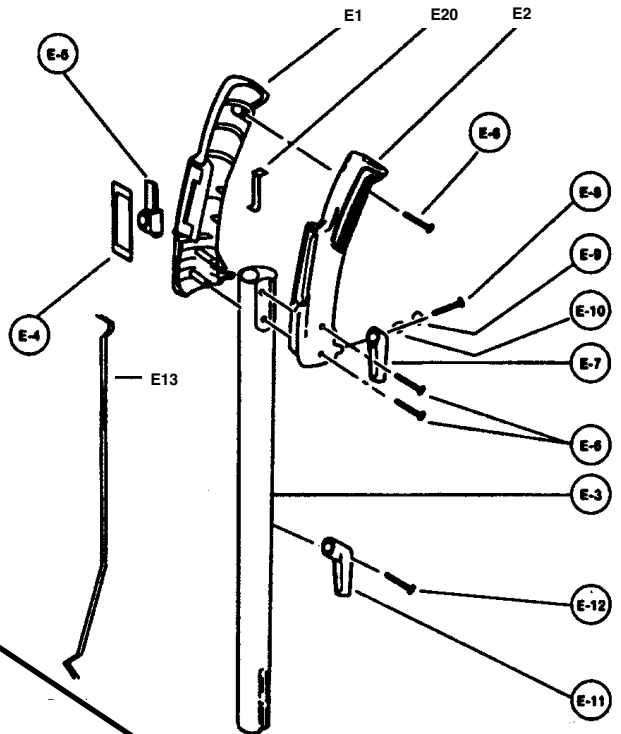
- D1 P-60403 Dust Cover, 6217
- D1 P-0046 Dust Cover, 6250
- D1 P-0047 Dust Cover, 6255
- D2 P-0430 Spring, indicator
- D3 P-0049 Lead, indicator
- D4 P-203 Supporter, indicator lead
- D5 P-0830 Window, indicator
- P-0630 Lever, alarm switch, 6217
- D6 P-0147 Front Cover, 6217
- D6 P-0050 Front Cover, 6250
- D6 P-0051 Front Cover, 6255
- D7 P-000132 Screw
- D8 P-4034 Dust Compartment, 6217
- D8 N/A Dust Compartment, 6250
- D8 P-0053 Dust Compartment, 6255
- D9 P-1034 Packing, suction inlet
- D10 N/A Suction Inlet, 6217
- D10 P-0054 Suction Inlet, 6250
- D10 P-0055 Suction Inlet, 6255
- D-11 N/A Cover, 6217
- D11 P-0056 Cover, 6250
- D11 P-0057 Cover, 6255

- D12 N/A Screw
- D13 P-2485 Handle Supporter
- D14 P-2486 Handle Fitting
- D15 P-000132 Screw
- D16 P-2482 Cord Bushing, 6250
- D16 P-2481 Cord Bushing, 6255
- D17 N/A Cord, 6217
- D17 P-0059 Cord, 6250
- D17 P-0060 Cord, 6255
- D18 P-7330 Screw, handle
- D19 N/A E-Clip
- D20 N/A Washer
- D21 P-0062 Roller, (wheel), 6250
- D21 P-0107 Roller, (wheel), 6255
- D22 P-163 Shaft, roller
- D23 P-2488 Packing, dust box
- D24 P-115P Paper Bag, type "U", 3 pack
- D24 P-115PT Paper Bag, type "U", 12 pack
- D24 253 Paper Bag, type "U", 3 pack (R)
- D24 253-12 Paper Bag, type "U", 12 pack (R)
- D25 P-39 Switch Cover, 6217
- D25 P-0064 Switch Cover, 6250

- D25 P-0065 Switch Cover, 6255
- D26 P-000132 Screw, switch cover
- D27 P-0219 Ornamental Plate, 6217
- D27 P-0066 Ornamental Plate, 6250
- D27 P-0067 Ornamental Plate, 6255
- D28 P-0068 Packing, switch cover
- D29 P-0069 Packing, indicator
- D30 P-987 Main Switch, 6217
- D30 P-0070 Main Switch
- D31 P-453 Terminal Cover, 6217
- D31 P-0071 Terminal Cover
- D32 P-153 Switch Lever
- D33 P-3433 Nozzle Hose, 6217
- D33 P-0072 Nozzle Hose, 6250
- D33 P-0073 Nozzle Hose, 6255
- D34 P-2497 Sticker, warning
- D34 P-0570 Sticker, 6217
- D35 P-0074 Wire Cord
- D36 N/A Cord Stopper
- D37 P-000132 Screw

Handle Assembly

- E1 P-0075 Handle Grip, right, 6250
- E1 P-2233 Handle Grip, right, 6217, 6255
- E2 P-0076 Handle Grip, left, 6250
- E2 P-2332 Handle Grip, left, 6217, 6255
- E3 P-6414 Handle, 6217
- E3 P-0077 Handle, 6250
- E3 P-0078 Handle, 6255
- E4 N/A Window, switch
- E5 P-6931 Switch Knob
- E6 P-4201 Screw
- E7 P-0079 Cord Hook, upper, 6250
- E7 P-2548 Cord Hook, upper, 6217, 6255
- E8 P-4201 Screw
- E9 P-587 Washer, handle
- E10 P-7670 Spring, cord hook
- E11 P-0080 Cord Hook, lower, 6250
- E11 P-2552 Cord Hook, lower, 6217, 6255
- E12 P-4201 Screw
- E13 P-623 Handle Lever



Motor Housing

- C1 P-0031 Motor Case, 6250
- C1 P-0032 Motor Case, 6255
- C2 P-0232 Packing, rear cover, 6217
- C2 P-2465 Packing, rear cover
- C3 P-2466 Support Rubber, motor case, 6217
- C3 P-0033 Support Rubber, motor case
- C4 P-3200 Supporter, filter
- C5 P-2463 Filter, 6217
- C5 P-3030 Filter
- C6 P-000062 Motor, complete
- C7 P-272 Carbon Brush, set, 6217
- C7 P-0035 Carbon Brush, set
- C8 P-0036 Brush Bracket
- C9 P-0037 Screw, bracket
- C10 P-24 Motor Support Rubber, front
- C11 P-0300 Motor Support Rubber, rear
- C12 P-9920 Noise Suppressor
- C13 SS-71B Wire Nut, 100 pack (R)
- C14 P-000132 Screw
- P-99303 Spring, motor case, 6217
- P-441 Lead Wires, w/ AMP terminal, 6217

