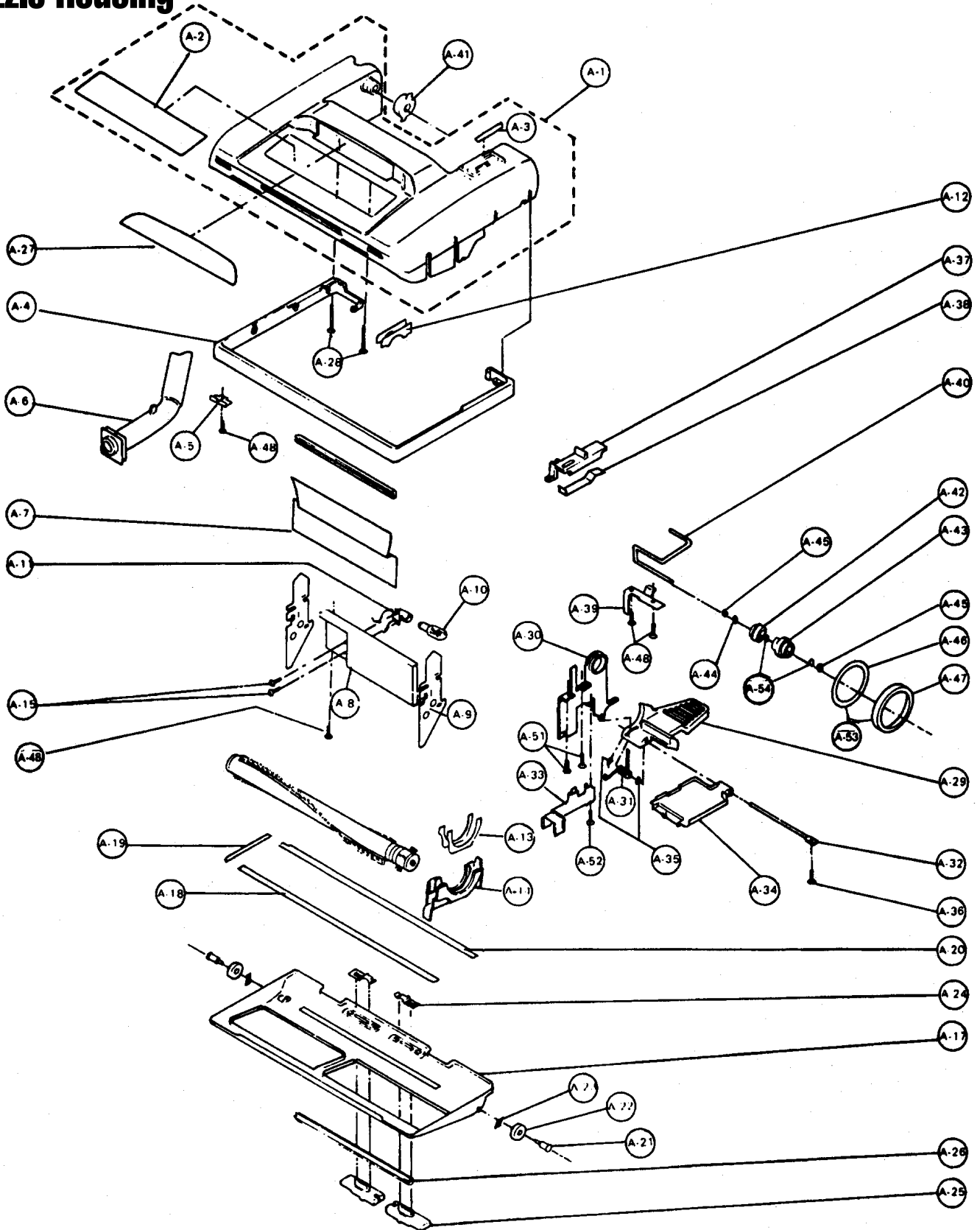


Models: MC-6210, MC-6215, MC-6220, MC-6225, MC-6230

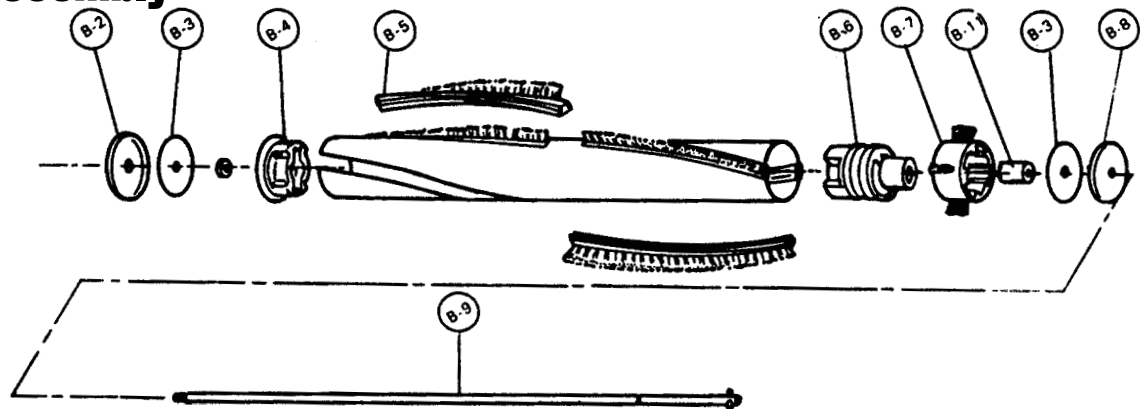
Nozzle Housing



Models: MC-6210, MC-6215, MC-6220, MC-6225, MC-6230

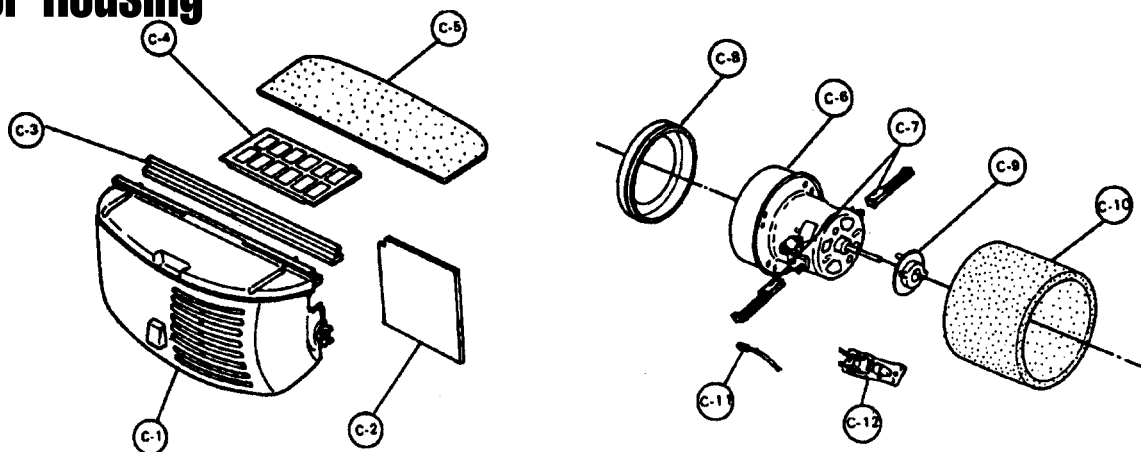
A1 P-013 Nozzle Housing, 6210	A14 P-4330 Belt Cover	A35 P-05 E-Clip, 30 pk
A1 N/A Nozzle Housing, 6220	A15 P-360 Screw	A36 P-416 Screw, 10 pk
A1 P-015 Nozzle Housing, 6230	A17 P-2733 Lower Plate	A37 P-183 Selector Lever, 6210,6220,6230
A1 P-0132 Nozzle Housing, 6215	A17 P-0006 Lower Plate, metal	A37 P-1831 Selector Lever, 6215,6225
A1 P-0133 Nozzle Housing, 6225	A18 P-193 Packing, lower plate, front	A38 P-243 Selector Spring
A2 P-2302 Top Mark, 6210	A19 P-393 Packing, lower plate, right	A39 P-593 Fitting Board
A2 N/A Top Mark, 6220	A20 P-7430 Packing, lower plate, back	A40 P-8510 Shaft, idler pulley
A2 N/A Top Mark, 6230	A21 P-503 Shaft, floor nozzle roller	A41 P-2530 Shaft, plastic
A2 P-0215 Top Mark, 6215	A22 P-909 Roller, floor nozzle	A42 P-334 Pulley
A2 P-0216 Top Mark, 6225	A23 P-04 Spring Nut, push-on	A43 P-8510 Idler Pulley and Shaft Assy
A3 N/A Selector, mark	A24 P-704 Spring, stop latch	A44 P-051 Washer
A4 P-1031 Furniture Guard, 6210,6220,6230	A25 P-684 Latch	A45 P-411 E-Clip
A4 P-1037 Furniture Guard, 6215,6225	A26 P-1032 Rubber, floor nozzle	A46 P-324 Belt, round, sold each (R)
A5 P-2731 Hose Fitting Plate	A27 P-2131 Window	A47 P-242 Belt, flat, 2 pack
A6 P-7030 Nozzle Pipe	A28 P-683 Screw	A47 P-325 Belt, flat, sold each (R)
A7 P-0010 Reflector	A29 P-473 Pedal, 6210,6220,6230	A48 P-416 Screw, 10 pk
A8 P-853 Bulb Supporter	A29 P-4730 Pedal, 6215,6225	A51 P-20 Screw
A9 P-863 Side Plate, bulb supporter	A30 P-433 Frame	A52 P-263 Screw
A10 MP-25K Bulb, (R)	A31 P-583 Spring, pedal	A53 P-245 Belts, 1 round / 1 flat, package
A11 N/A Bulb Socket	A32 P-513 Shaft, pedal	A54 P-051 Washer
A12 P-813 Tight Packing	A33 P-754 Guide Lever	
A13 P-753 Body Packing	A34 P-1130 Belt Cover, rear	

Agitator Assembly



B1 P-9231 Agitator Assembly, complete	B5 P-85 Brush Strip	B9 P-5730 Shaft, agitator
B1 P-6200 Agitator Assembly, complete (R)	B5 P-425 Brush Strip, (R)	P-411 E-Clip
B2 N/A End Cap, left	B6 P-2931 Agitator Pulley, w/o bearing	B11 P-7431 Spacer
B3 P-321 Filter	B7 P-9030 Brush Holder	P-350 Agitator Bearing (R)
B4 P-4101 Agitator Holder, w/ bearing	B8 P-00125 End Cap, right	

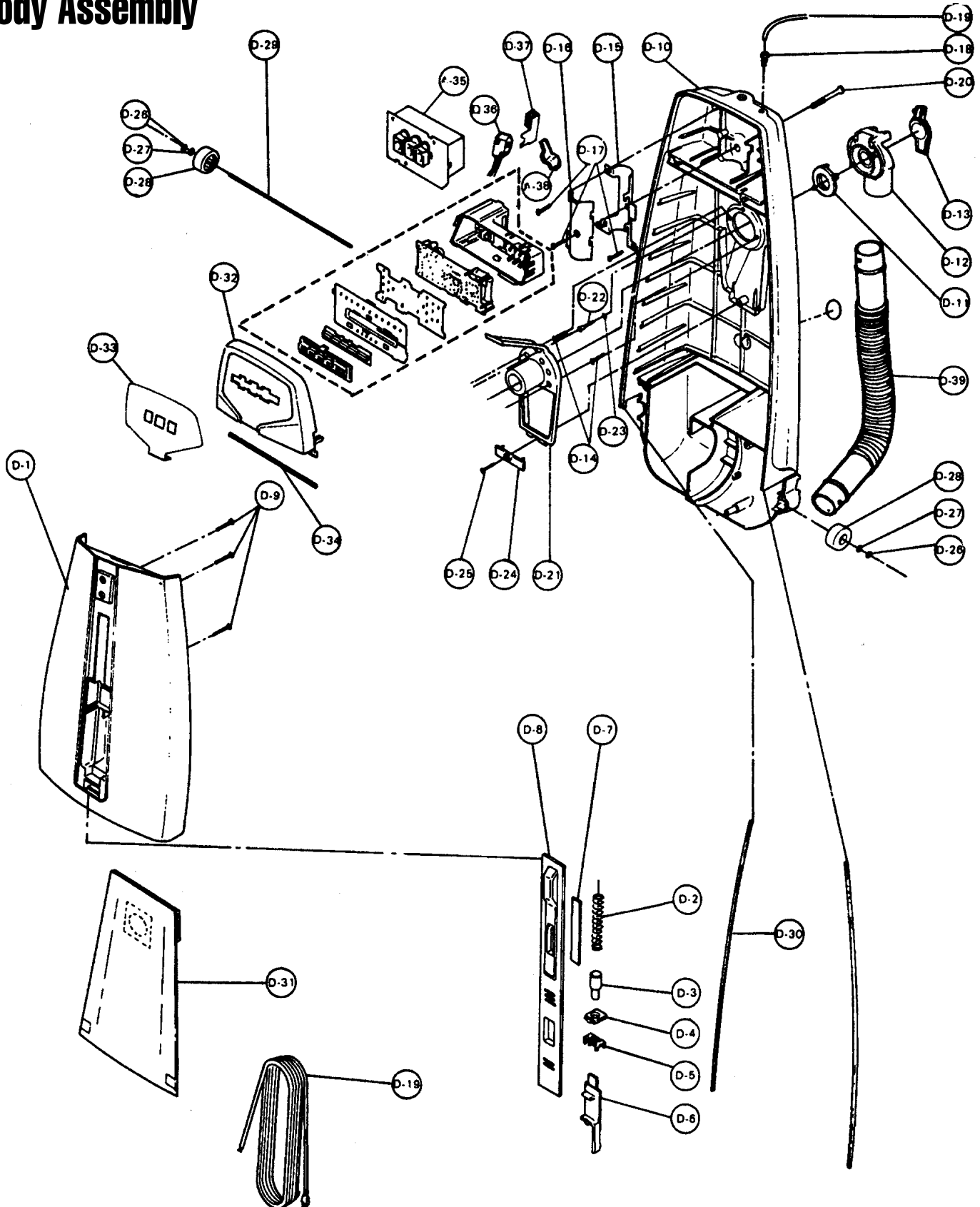
Motor Housing



C1 P-0930 Motor Case, 6210,6220,6230	C3 P-1932 Support Rubber, motor case, 6215,6225	C7 P-272 Carbon Brush
C1 P-0934 Motor Case, 6215,6225	C4 P-3200 Filter Supporter	C8 P-24 Motor Support Rubber, front
C2 P-0232 Packing, rear cover	C5 P-3030 Filter	C9 P-0300 Motor Support Rubber, rear
C3 P-1930 Support Rubber, motor case, 6210, 6220,6230	C6 P-000062 Motor, 6210,6215,6230	C10 P-9920 Noise Suppressor
	C6 P-9240 Motor, 6220,6225	C11 P-441 Lead Wires w/ AMP Terminal
		C12 P-9590 Control Diode

Models: MC-6210, MC-6215, MC-6220, MC-6225, MC-6230

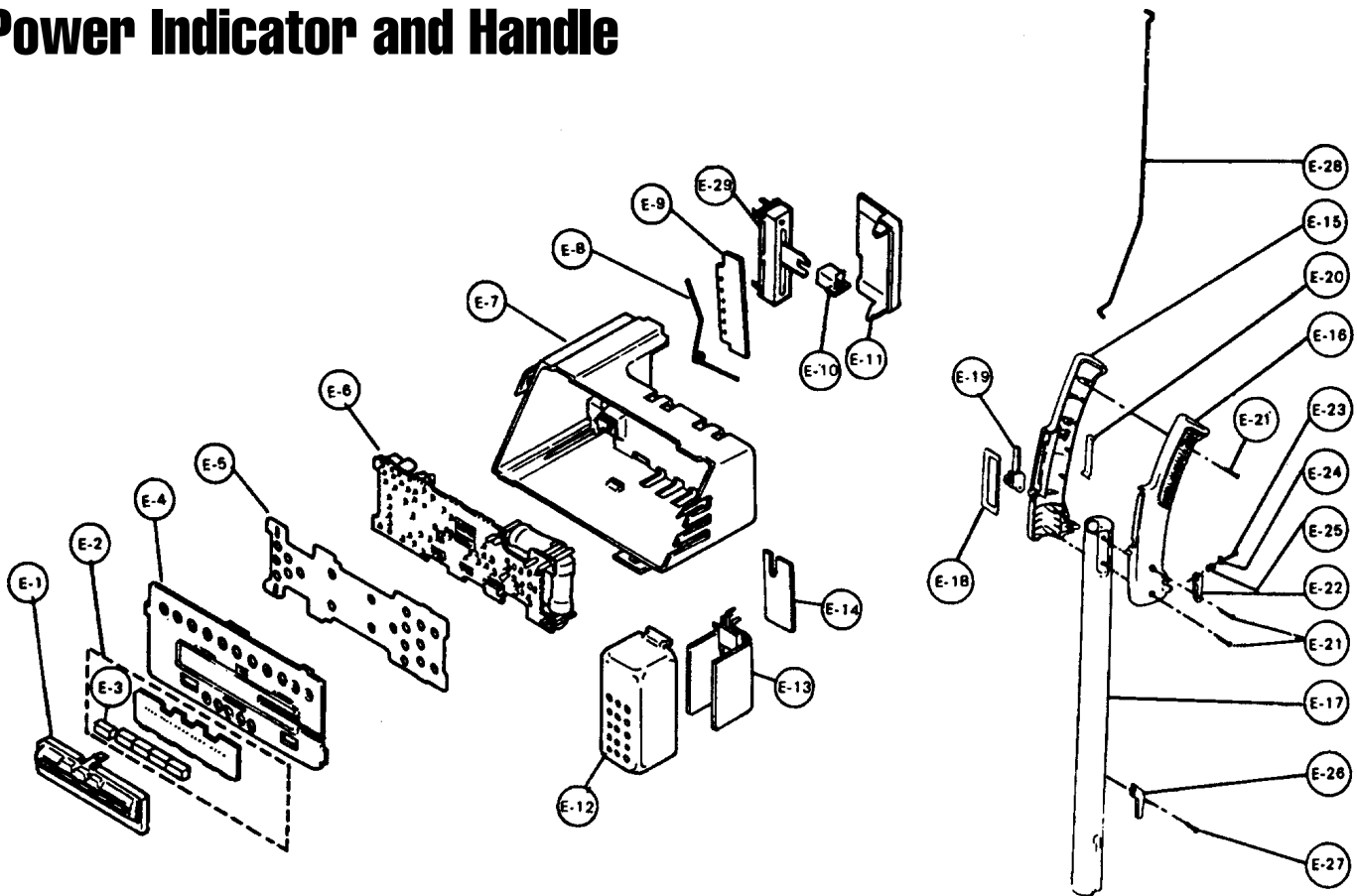
Body Assembly



Models: MC-6210, MC-6215, MC-6220, MC-6225, MC-6230

D1 P-604 Dust Cover, 6210,6220,6230	D14 P-416 Screw, 10 pk	D31 253 Paper Bag, 3 pack (R)
D1 P-6045 Dust Cover, 6215	D15 P-2485 Handle Supporter	D31 253-12 Paper Bag, 12 pack (R)
D1 P-6032 Dust Cover, 6225	D16 P-2486 Handle Fitting	D31 P-9923 Cloth Bag, w/ slide
D2 P-0430 Spring, indicator	D17 P-416 Screw, 10 pk	D31 P-55 Cloth Bag, w/ slide (R)
D3 P-0049 Indicator Lead	D18 SS-34 Wire Bushing, sold each (R)	D32 P-033 Switch Cover, 6210,6220,6230
D4 P-203 Supporter, indicator lead	D19 MP-230 Cord, 30 ft, white (R)	D32 P-0332 Switch Cover, 6215,6225
D5 P-4340 Alarm Blade	D20 P-7330 Screw, handle	D33 N/A Ornamental Plate, 6210
D6 P-0630 Lever, alarm switch	D21 N/A Bag Supporter	D33 P-2140 Ornamental Plate, 6220
D7 P-0830 Indicator Window	D22 P-2732 Screw	D33 P-2150 Ornamental Plate, 6230
D8 P-132 Front Cover, 6210,6220,6230	D23 P-0004 Washer	D33 P-2113 Ornamental Plate, 6215
D8 P-01401 Front Cover, 6215	D24 N/A Spacer, bag supporter	D33 P-2114 Ornamental Plate, 6225
D8 P-01402 Front Cover, 6225	D25 P-416 Screw, 10 pk	D34 P-66 Packing, dust cover, gasket, 6210,6220,6230
D9 P-416 Screw, 10 pk	D26 P-05 E-Clip, 30 pk	D34 P-7333 Packing, dust cover, 6215,6225
D10 P-4030 Dust Compartment, 6210	D27 P-051 Washer	D35 P-8930 Power Control Switch, 6220
D10 P-4040 Dust Compartment, 6220	D28 P-0107 Roller, 6210,6220,6230	D35 P-8910 Power Control Switch, 6225
D10 P-4050 Dust Compartment, 6230	D28 P-0107 Roller, 6215,6225	D36 P-987 Main Switch
D10 P-4032 Dust Compartment, 6215	D29 P-163 Shaft, roller	D37 P-453 Terminal Cover
D10 P-4033 Dust Compartment, 6225	D30 P-7331 Packing, dust box, 6210, 6220,6230	D38 P-153 Switch Lever
D11 P-647 Packing, suction inlet	D30 P-7331 Packing, dust box, 6210, 6220,6230	D39 P-343 Nozzle Hose, 6210,6220,6230
D12 P-607 Suction Inlet, 6210,6220,6230	D31 P-6631 Packing, dust box, 6215,6225	D39 P-3432 Nozzle Hose, 6215,6225
D12 P-6010 Suction Inlet, 6215,6225	D31 P-115P Paper Bag, 3 pack	
D13 N/A Cover, 6210,6220,6230	D31 P-115PT Paper Bag, 12 pack	

Power Indicator and Handle



E1 P-335 Power Indicator Window	E14 P-3951 Insulation Plate	E21 P-416 Screw, 10 pk
E2 P-8851 Power Indicator	E15 P-2230 Handle Grip, right, 6210,6220, 6230	E22 P-53 Cord Hook, upper, 6210,6220, 6230
E3 P-202 LED, (light emitting diode)	E15 P-2231 Handle Grip, right, 6215,6225	E22 P-5332 Cord Hook, upper, 6215,6225
E4 P-2450 Cover, controller box	E16 P-2330 Handle Grip, left, 6210,6220, 6230	E23 P-416 Screw, 10 pk
E5 P-2351 Insulation Plate	E16 P-2331 Handle Grip, left, 6215,6225	E24 P-587 Washer, handle
E6 P-8950 Printed Circuit Board	E17 P-6414 Handle Tube	E25 P-7670 Spring, cord hook
E7 P-4450 Controller Box	E18 P-9330 Switch Window, 6210,6220	E26 P-54 Cord Hook, lower, 6210,6220, 6230
E8 N/A Lever Support Spring	E18 P-9351 Switch Window, 6230	E27 P-20 Screw
E9 P-9150 Printed Circuit	E18 P-9351 Switch Window, 6215,6225	E28 P-623 Handle Lever, 6210,6220
E10 P-885 Control Terminal	E19 P-6931 Switch Knob	E28 P-605 Handle Lever, 6230
E11 P-2950 Control Cover	E20 N/A Spring, switch knob	E29 P-8650 Control
E12 P-2850 Fin Cover		
E13 P-3050 Printed Circuit Board B, fin		